

[54] WOODWORKING STRAIGHT EDGE

[76] Inventor: Norman Griset, 380 Jennifer La., Orange, Calif. 92669

[**] Term: 14 Years

[21] Appl. No.: 299,489

[22] Filed: Sep. 4, 1981

[51] Int. Cl. D8-05

[52] U.S. Cl. D8/71; D10/71; D15/140; D19/37; D25/74

[58] Field of Search D19/35-40; D10/61-65, 70-71; D8/71; D25/74, 75, 73, 76; 144/306, 308, 253 R, 253 B; 145/129; 83/745; 33/443; 269/1; D15/138, 140

[56] References Cited

U.S. PATENT DOCUMENTS

D. 228,947 10/1973 Mason D19/37

4,047,304 9/1977 Delre, Jr. 33/443
4,281,572 8/1981 Stovall 83/745
4,381,103 4/1983 Ferdinand 33/443

OTHER PUBLICATIONS

Anchor Plastics Design Guide ©1960, p. 58, Item RP-22.

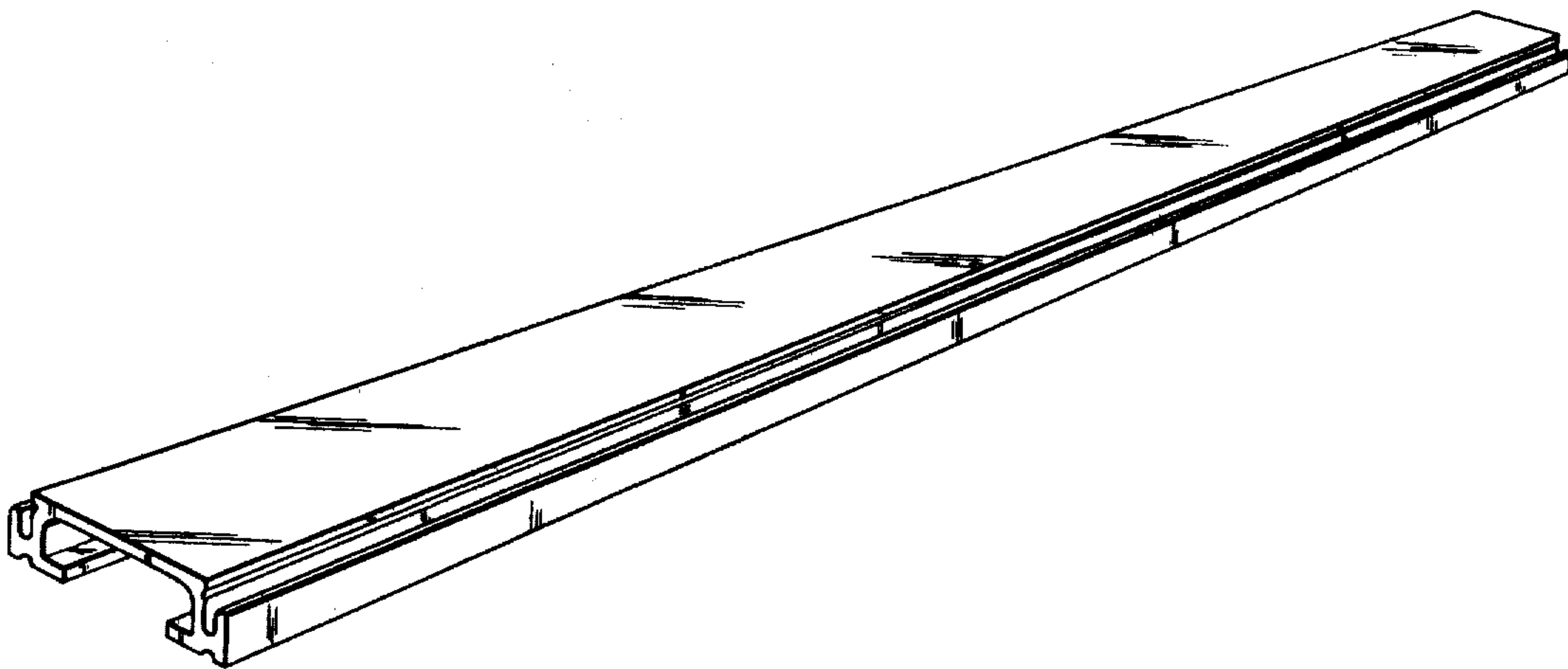
Primary Examiner—George P. Word

[57] CLAIM

The ornamental design for a woodworking straight edge, as shown and described.

DESCRIPTION

FIG. 1 is a perspective view of a woodworking straight edge showing my new design;
FIG. 2 is an end elevational view thereof;
FIG. 3 is a fragmentary side elevational view thereof;
FIG. 4 is a fragmentary top plan view thereof; and
FIG. 5 is a fragmentary bottom plan view thereof.



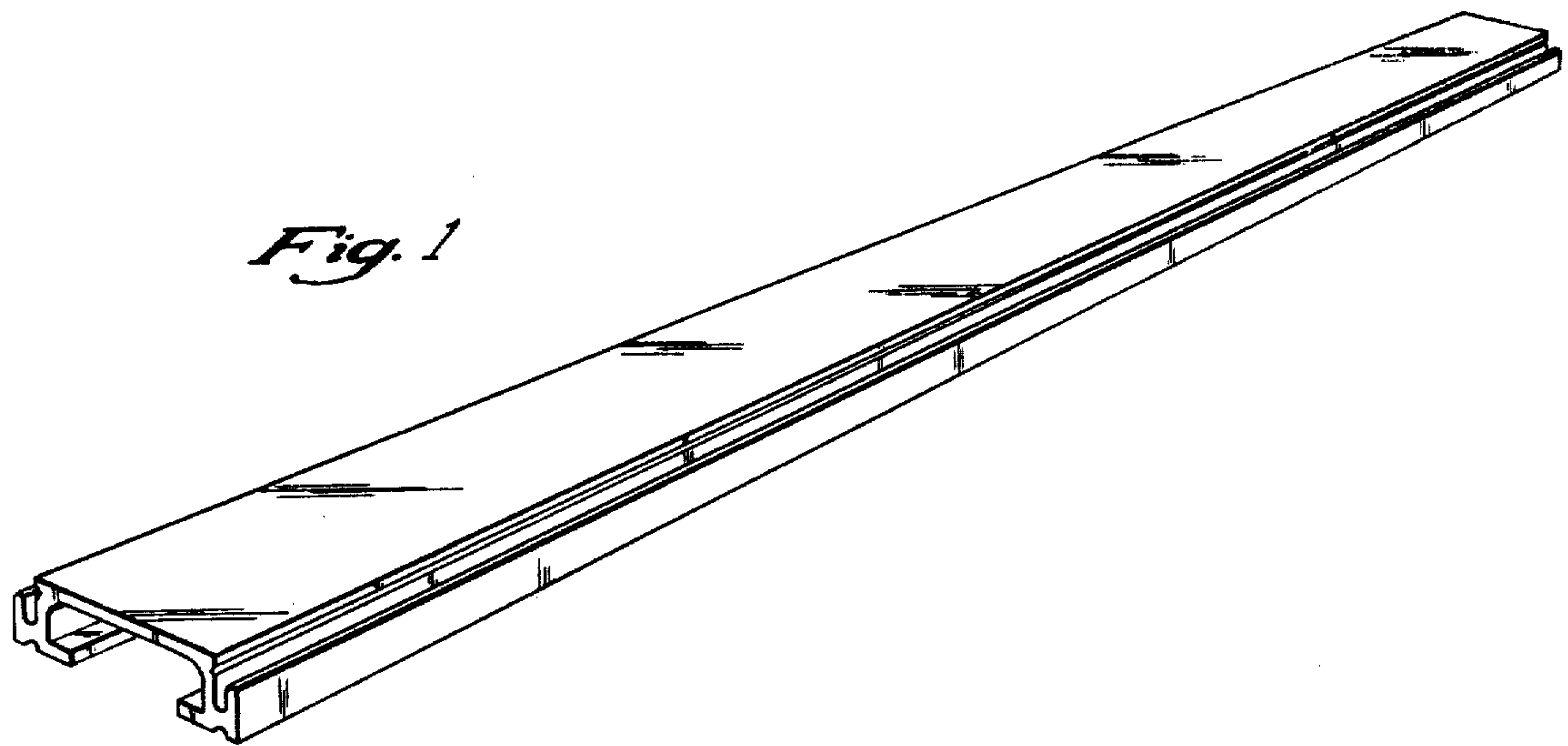


Fig. 1

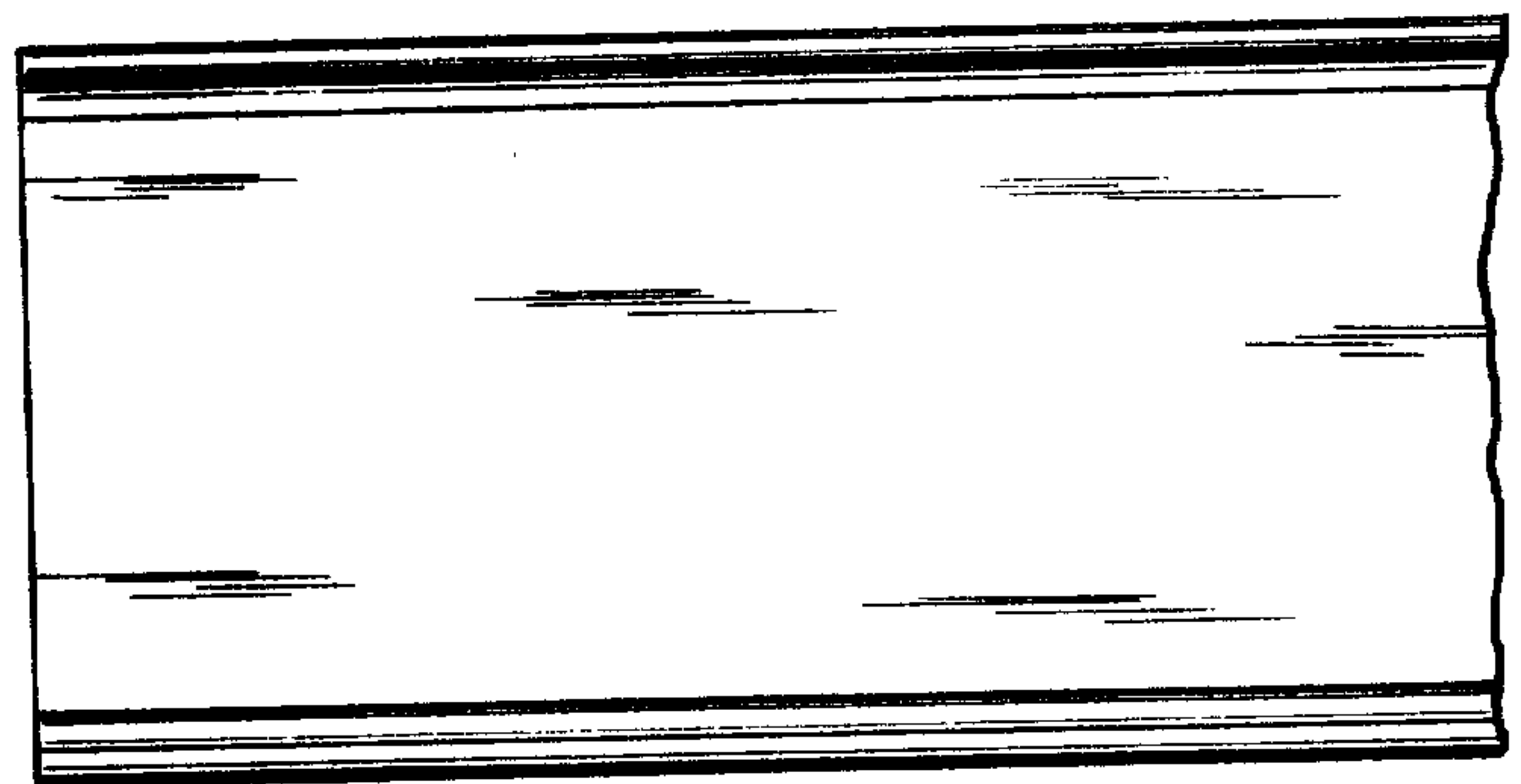


Fig. 4

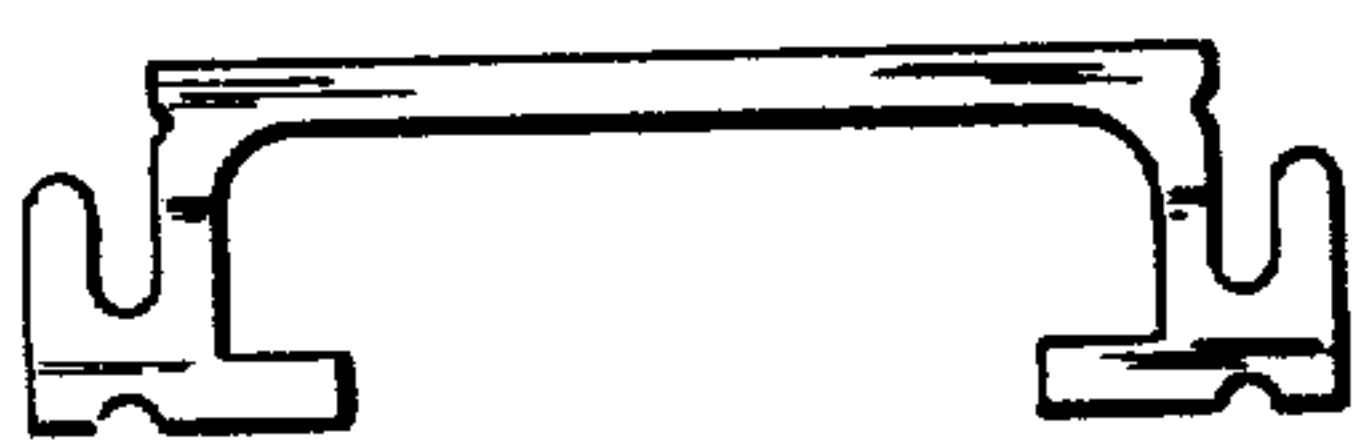


Fig. 2

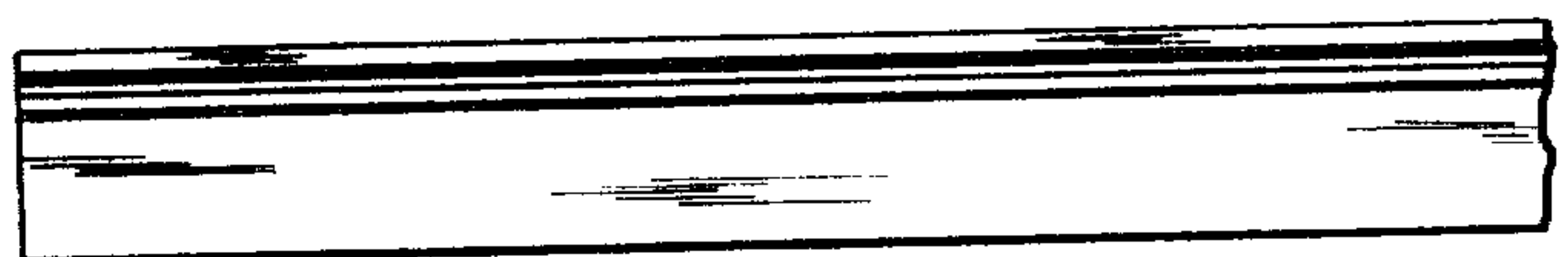


Fig. 3

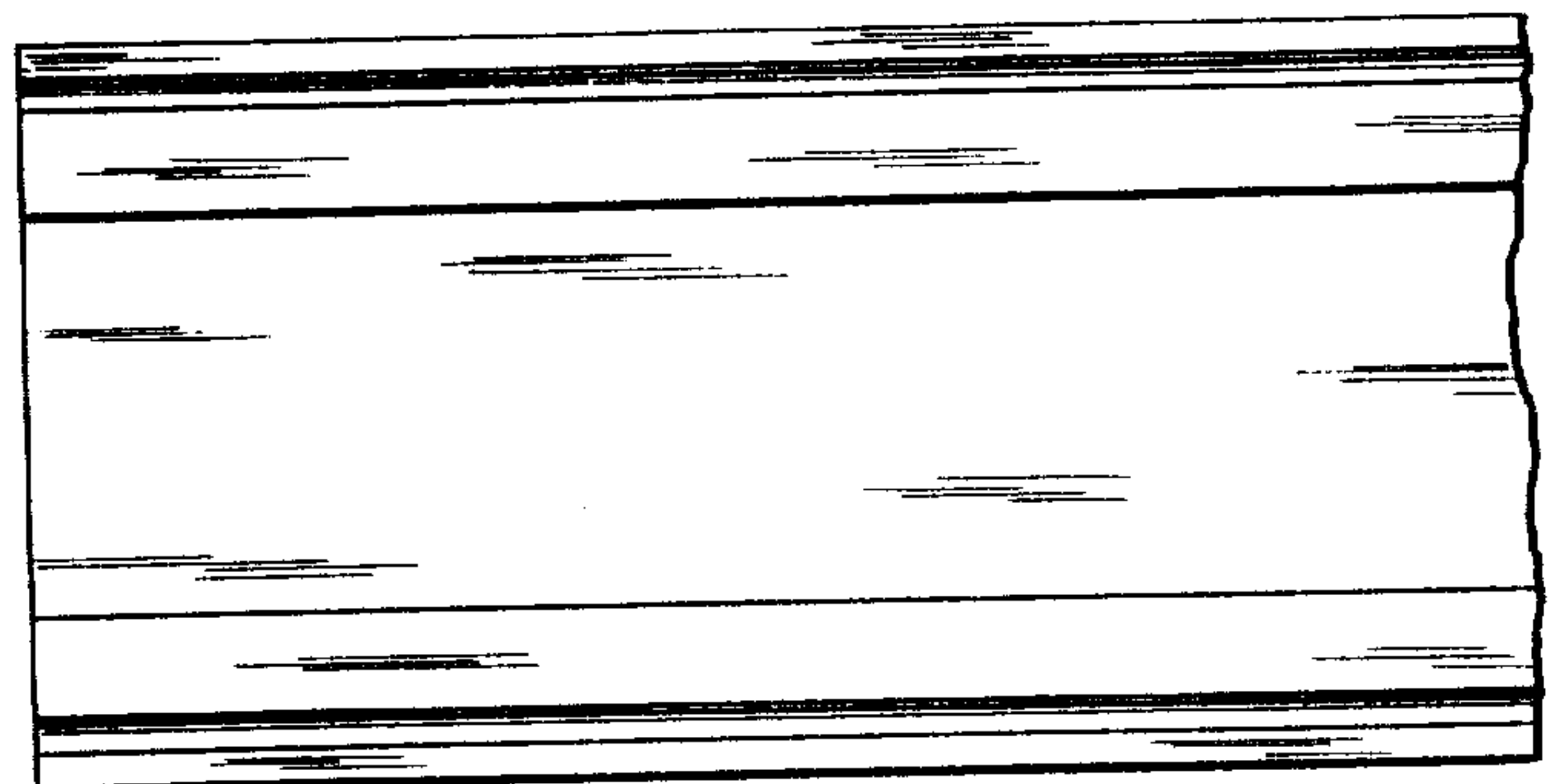


Fig. 5