

[54] **LARGE HEADED CABLE CUTTER**
[76] **Inventor: Frank E. Shaffer, 33 Beach Dr.,
Newport Beach, Calif. 92660**
[**] **Term: 14 Years**
[21] **Appl. No.: 255,870**
[22] **Filed: Apr. 20, 1981**

D. 259,695 6/1981 Byberg et al. D8/58
452,917 5/1891 Hayden 30/254
921,080 5/1909 Burtscher 30/186
1,831,609 11/1931 Schröder 30/186

Primary Examiner—Alan P. Douglas
Attorney, Agent, or Firm—Fulwider, Patton, Rieber,
Lee & Utecht

Related U.S. Application Data

[63] Continuation-in-part of Ser. No. 29,994, Apr. 16, 1979,
Pat. No. Des. 261,477.

[51] **Int. Cl. D8—03**

[52] **U.S. Cl. D8/52; D8/5;
D8/58; D8/98**

[58] **Field of Search D8/5, 52, 58, 98;
30/90.1, 186, 254**

[56] **References Cited**

U.S. PATENT DOCUMENTS

D. 116,745 9/1939 Mayer D8/58
D. 173,137 10/1954 Bethune D8/58
D. 213,302 2/1969 Lattin D8/58

[57] **CLAIM**

The ornamental design for a large headed cable cutter,
substantially as shown and described.

DESCRIPTION

FIG. 1 is a top plan view of a large headed cable cutter
showing my new design;
FIG. 2 is a bottom plan view of my large headed cable
cutter shown in FIG. 1;
FIG. 3 is a front plan view of my large headed cable
cutter shown in FIG. 1;
FIG. 4 is a back plan view of my large headed cable
cutter shown in FIG. 1;
FIG. 5 is a left hand end view of my large headed cable
cutter shown in FIG. 1; and
FIG. 6 is a right hand end view of my large headed
cable cutter shown in FIG. 1.

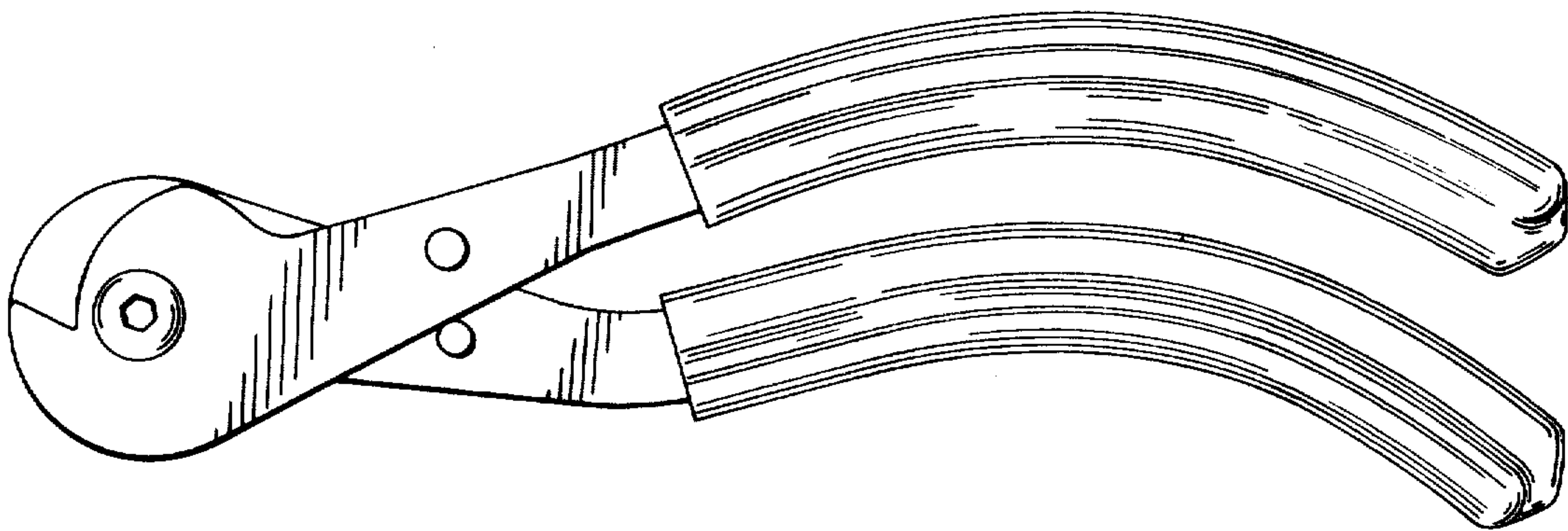


FIG. 1

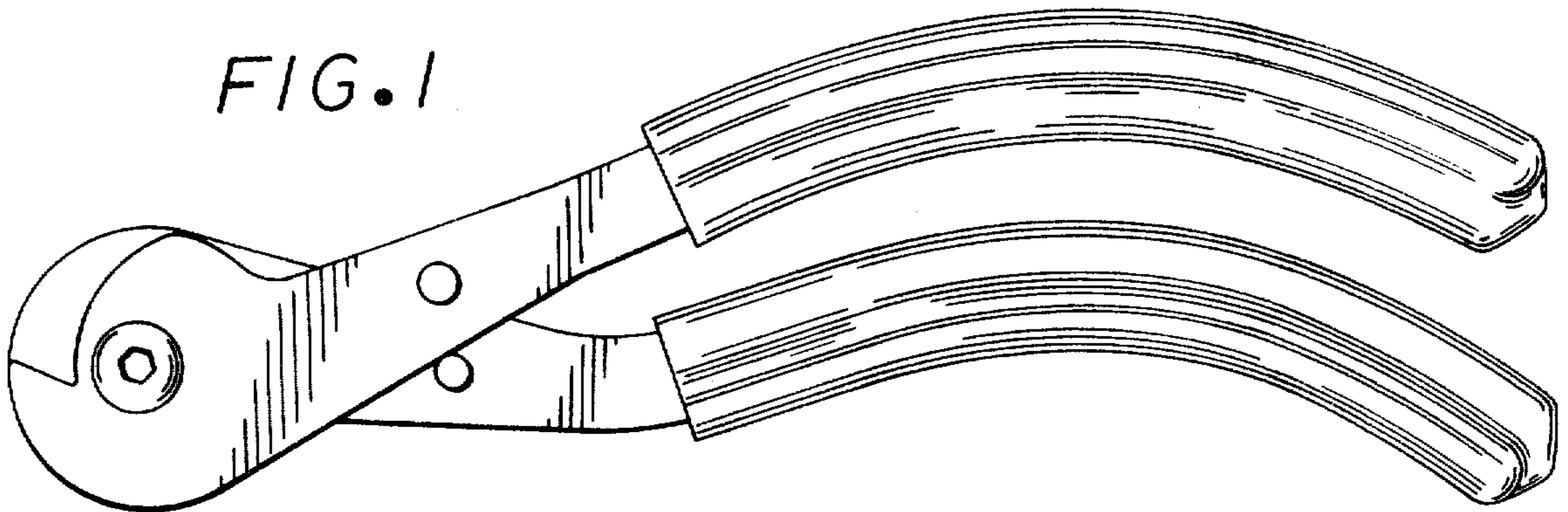


FIG. 2

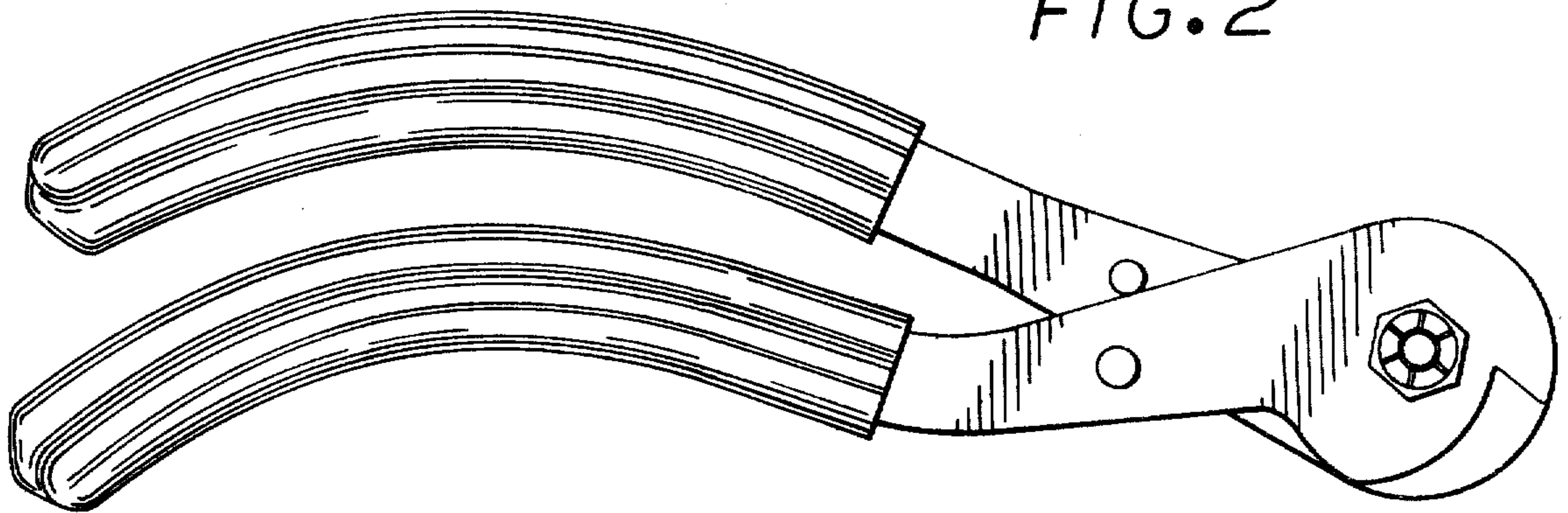


FIG. 3

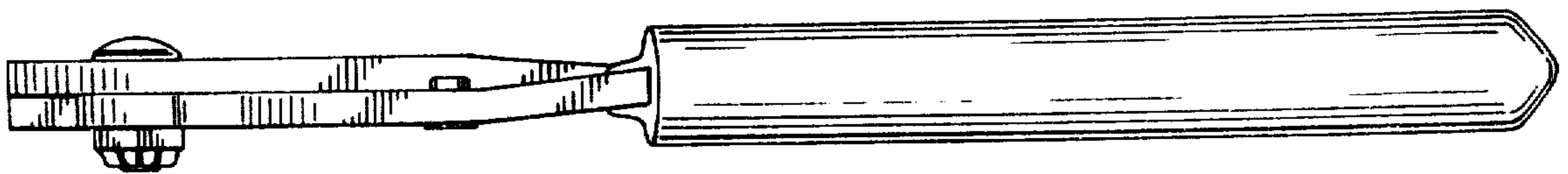
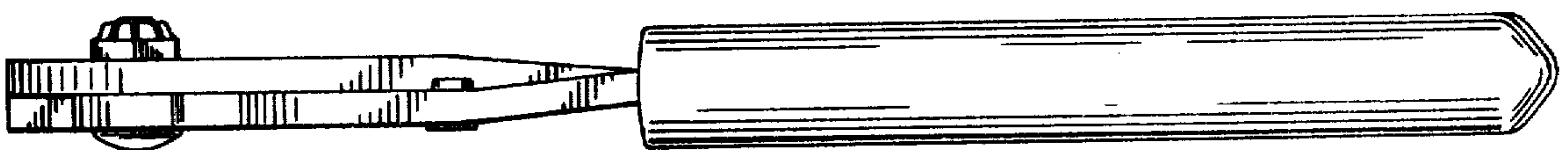


FIG. 4

FIG. 5

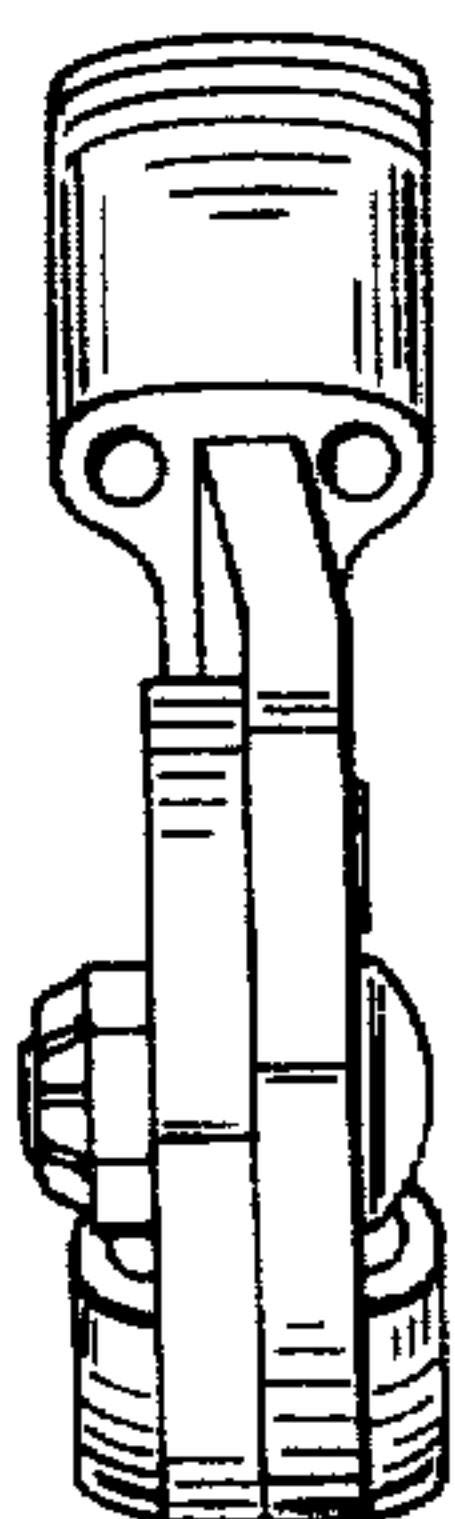


FIG. 6

