

[54] **PHOTOGRAPH DISPLAY**

[76] **Inventor:** John S. Doyel, 404 W. 20th St., New York, N.Y. 10011

[\*\*] **Term:** 14 Years

[21] **Appl. No.:** 314,004

[22] **Filed:** Oct. 22, 1981

[51] **Int. Cl.** ..... D6-07  
[52] **U.S. Cl.** ..... D6/234; D6/235  
[58] **Field of Search** ..... D6/232-246;  
40/152, 152.1, 401, 404; D19/20-21

[56]

**References Cited**

**U.S. PATENT DOCUMENTS**

D. 248,964 8/1978 Kizlauskas ..... D19/20  
4,041,627 8/1977 Lyman ..... D6/235

*Primary Examiner*—Charles A. Rademaker

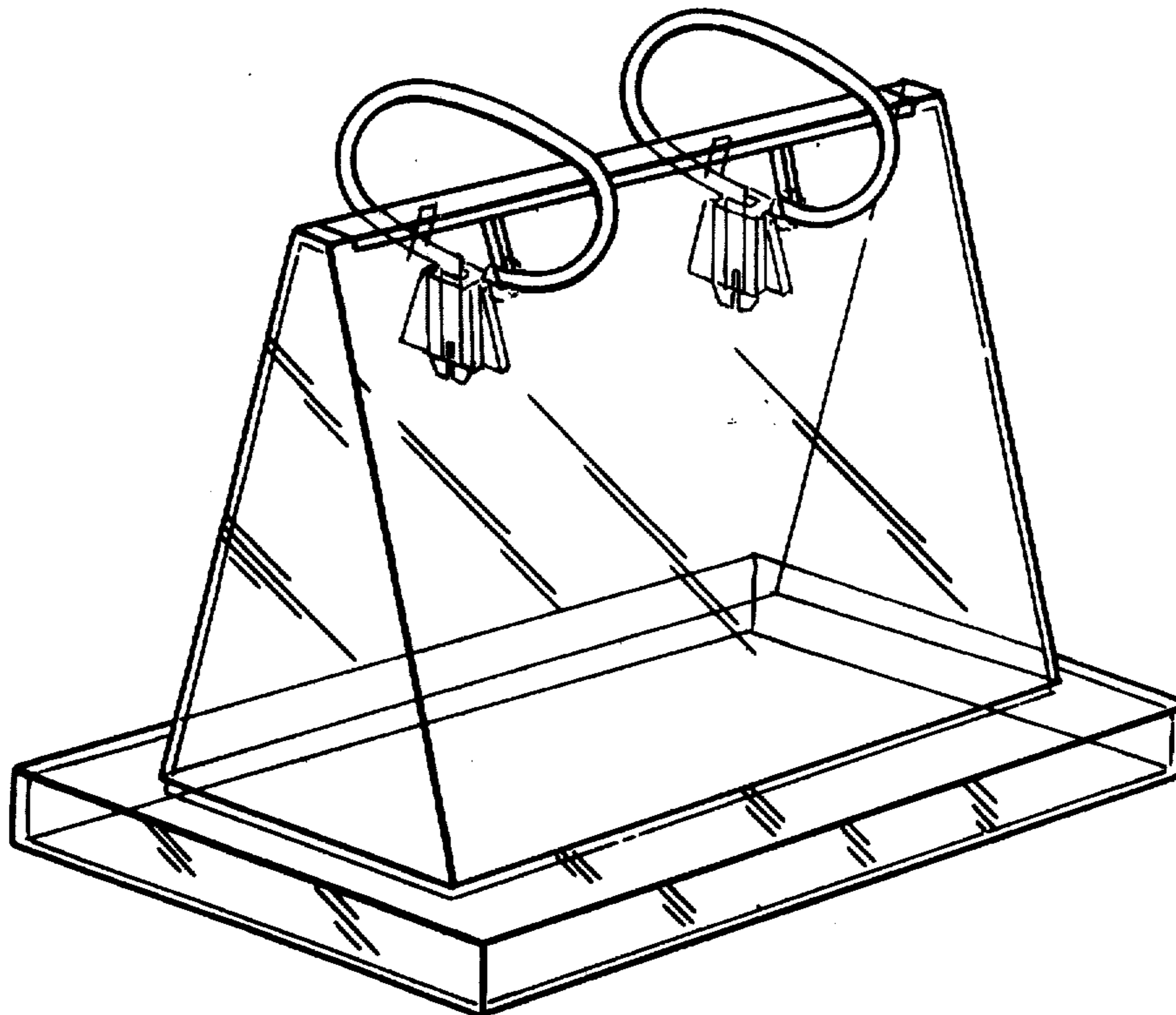
[57]

**CLAIM**

The ornamental design for a photograph display, as shown and described.

**DESCRIPTION**

FIG. 1 is a perspective view of a photograph display showing my new design;  
FIG. 2 is a left side elevational view, the side opposite being substantially a mirror image;  
FIG. 3 is a front elevational view thereof, the side opposite being substantially a mirror image;  
FIG. 4 is a top plan view thereof; and,  
FIG. 5 is a bottom plan view thereof.



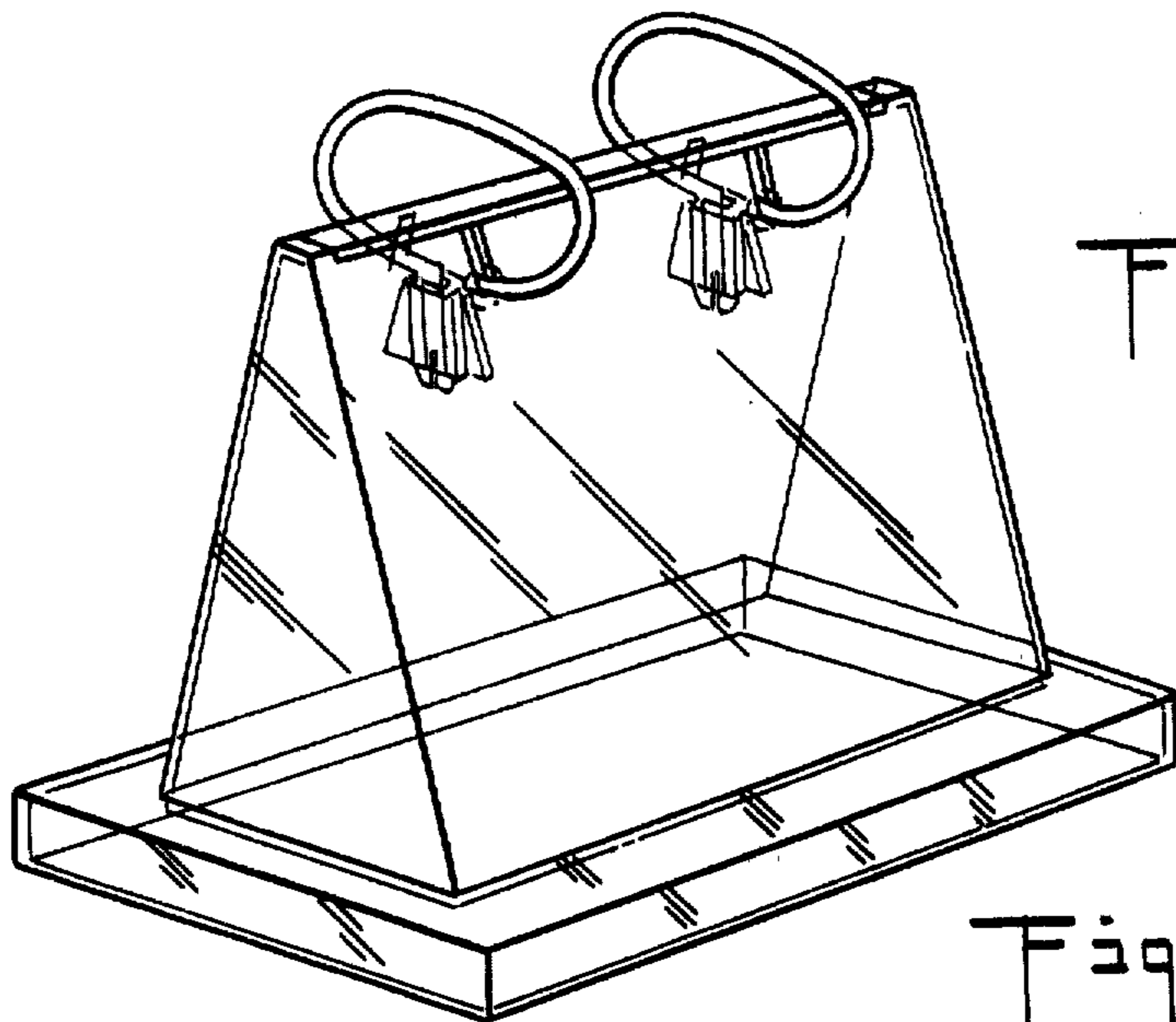


Fig. 1.

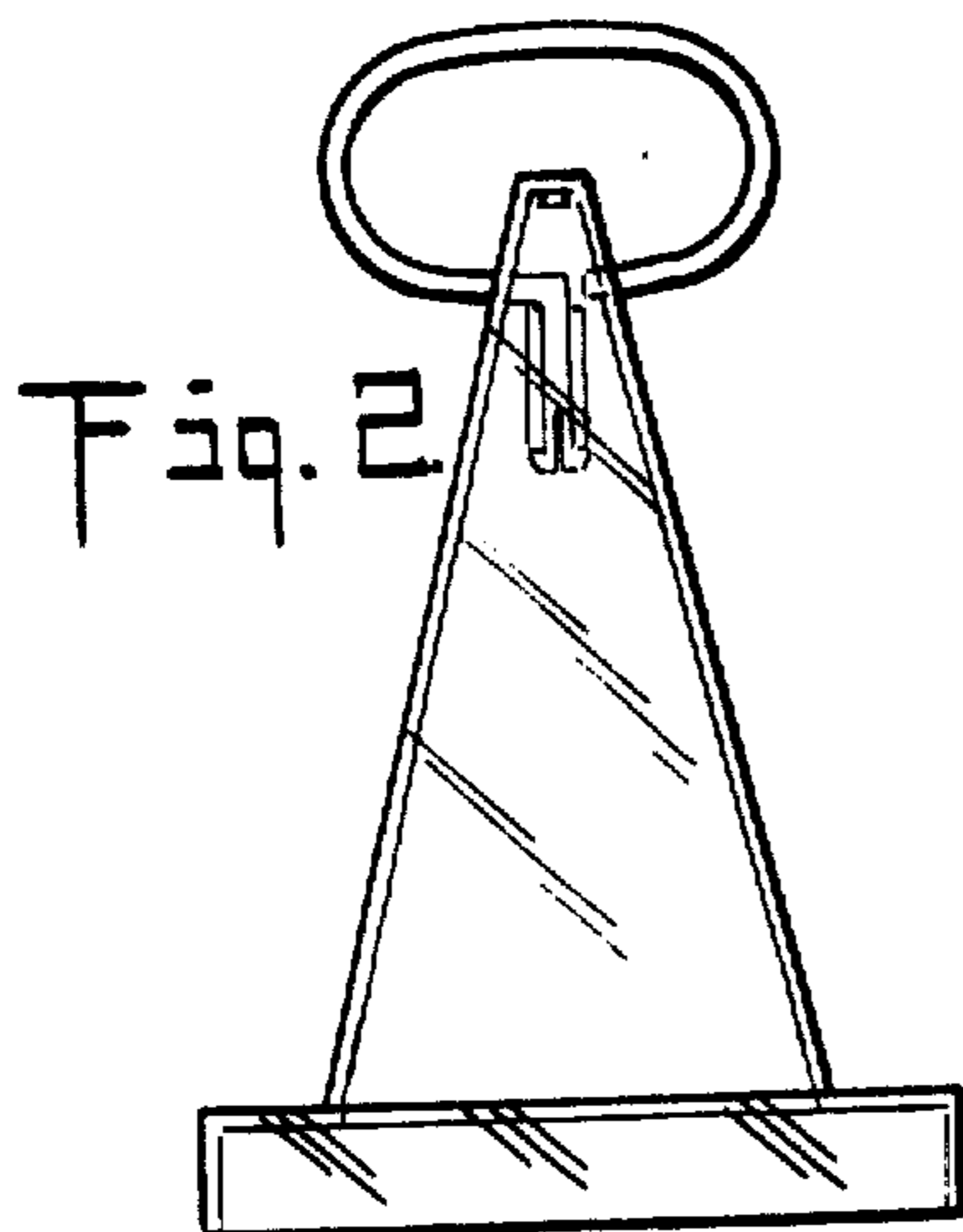


Fig. 2.

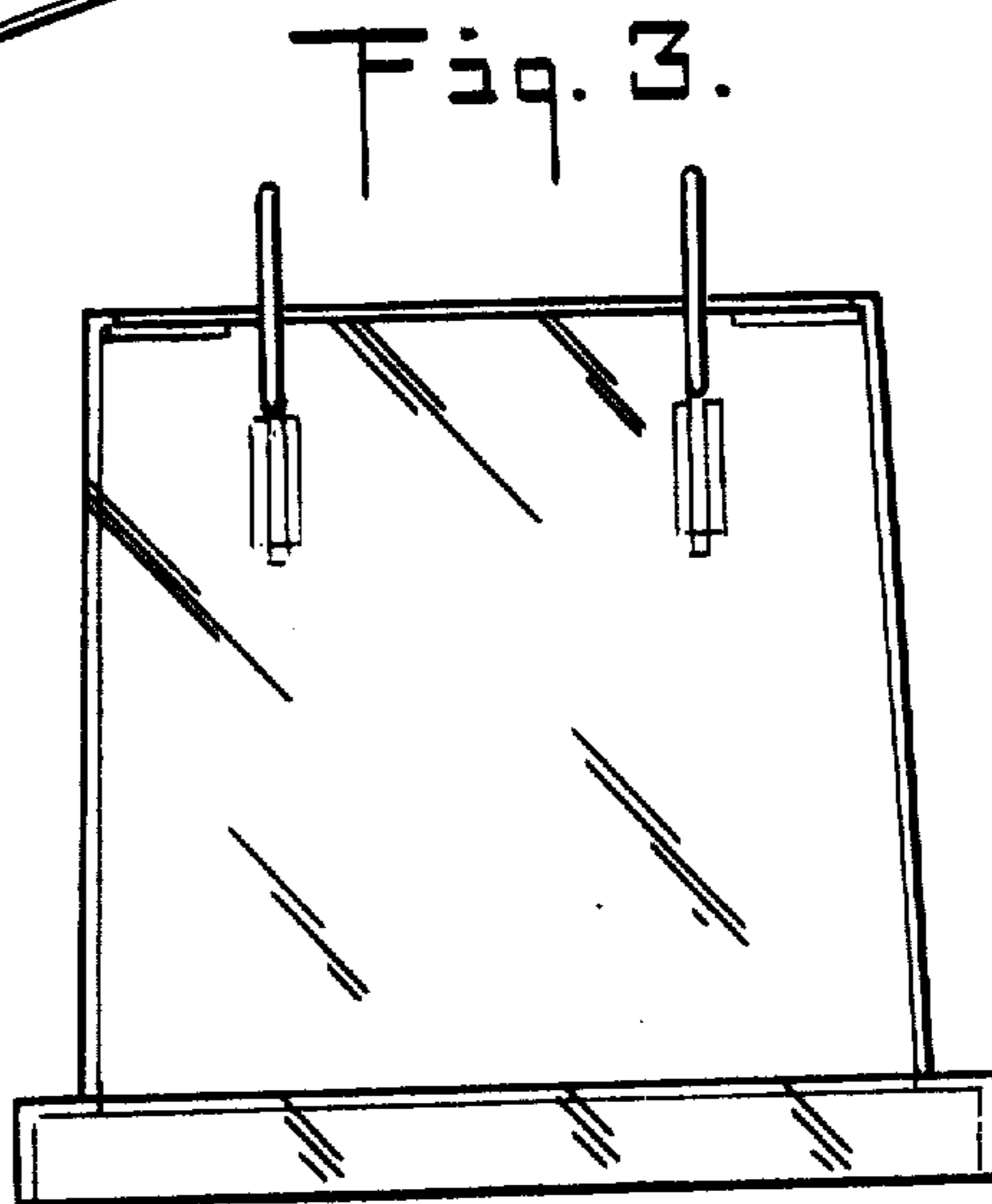


Fig. 3.

Fig. 4.

Fig. 5.

