

[54] STANDING SOAP DISH

[76] Inventors: Sidney J. Shames, 57 Holly Pl., Briarcliff Manor, N.Y. 10510; Harold Shames, 5 Agnes Cir., Ardsley, N.Y. 10502

[**] Term: 14 Years

[21] Appl. No.: 309,837

[22] Filed: Oct. 8, 1981

[51] Int. Cl. D23-02

[52] U.S. Cl. D6/89

[58] Field of Search D6/89, 90, 91, 92, 93, D6/94, 113; 211/65, 66, 70, 71, 88; 206/77.1

[56] References Cited

U.S. PATENT DOCUMENTS

D. 150,761	8/1948	Gardner	D6/90
D. 154,643	7/1949	Simpson	D6/90
D. 154,903	9/1949	Caldwell	D6/89
D. 224,028	6/1972	Settle	D6/89

Primary Examiner—Susan J. Lucas
Assistant Examiner—Suzanne N. Gitlin
Attorney, Agent, or Firm—Norman Lettvin

[57] CLAIM

The ornamental design for a standing soap dish, as shown and described.

DESCRIPTION

FIG. 1 is a perspective view of a standing soap dish, showing our new design, with the shading distinguishing a metallic reflective appearance on all viewable surfaces of the lower section of the standing soap dish that contrasts with a clear plastic appearance in the upper section of the standing soap dish; FIG. 2 is an end elevational view thereof; FIG. 3 is a side elevational view thereof; and FIG. 4 is a top plan view thereof.

The shading in the views is intended to represent a metallic reflective surface on the lower section of the dish as contrasted with the transparent surface for the remainder of the dish.

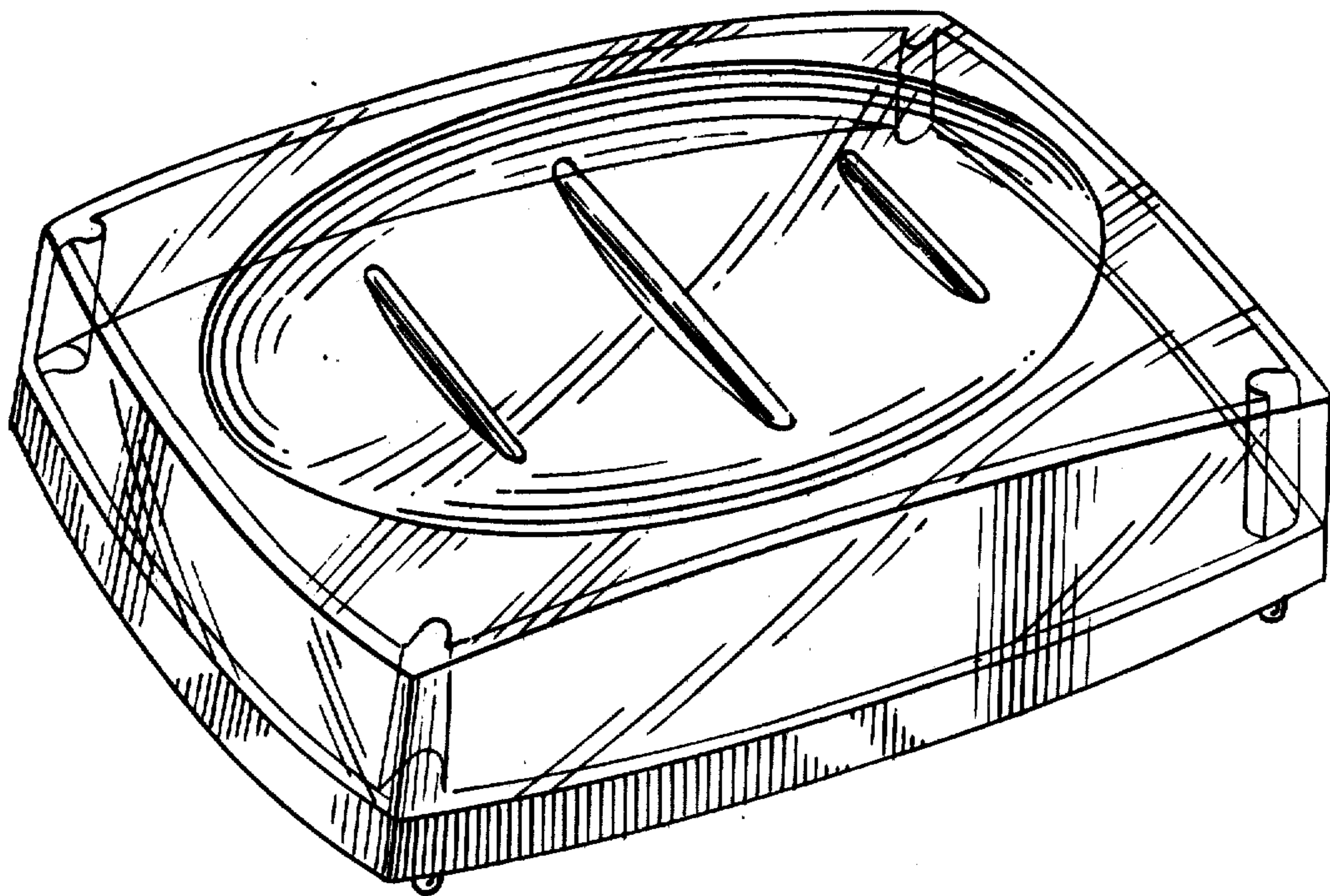


FIG. 1

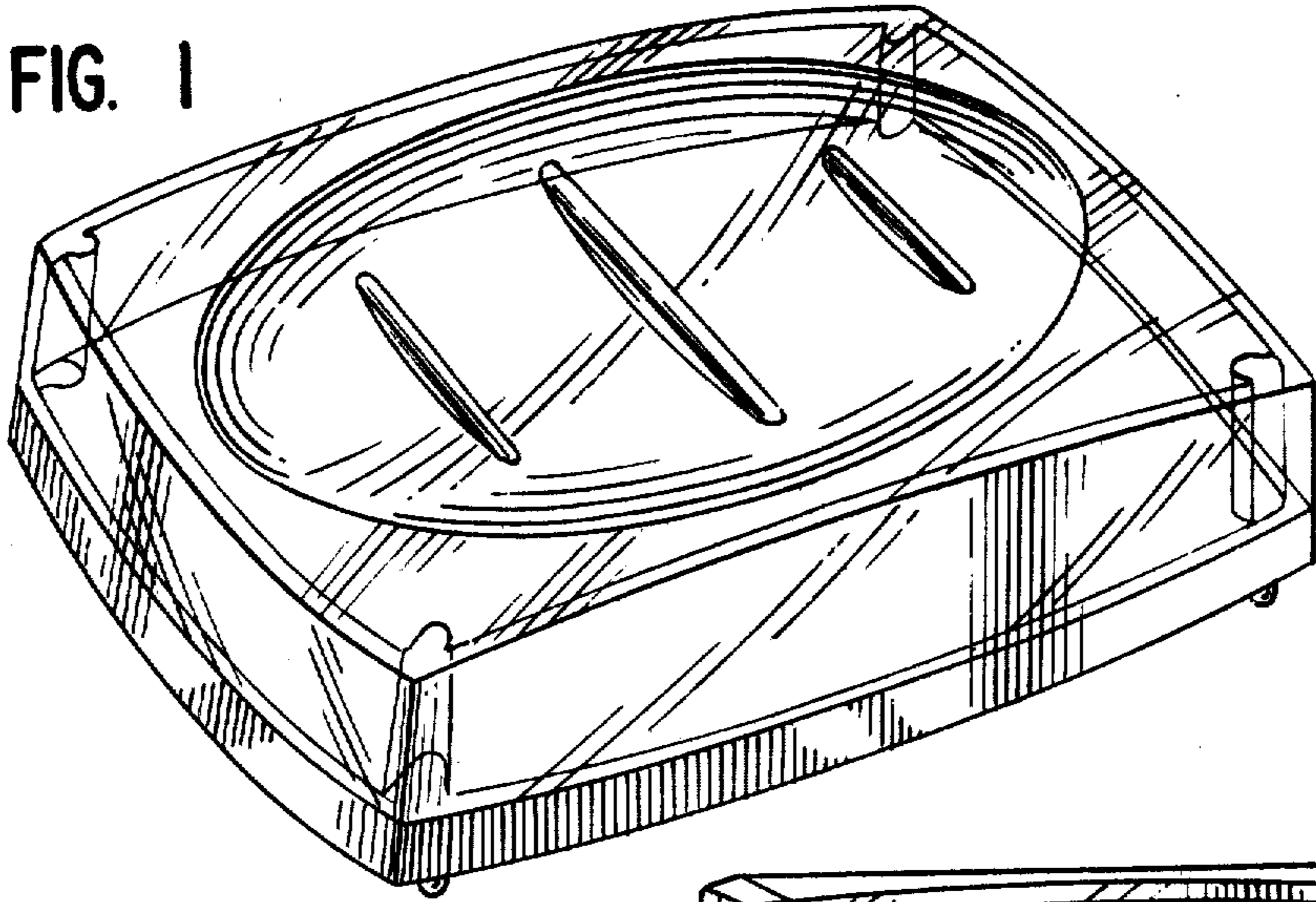


FIG. 2

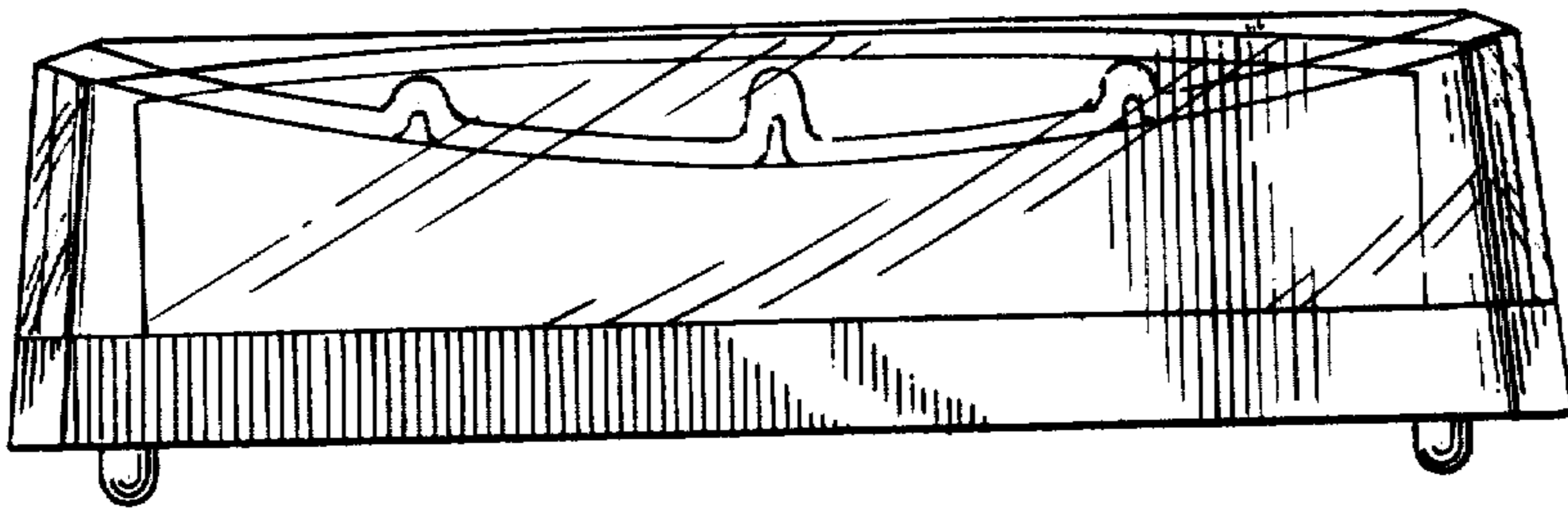
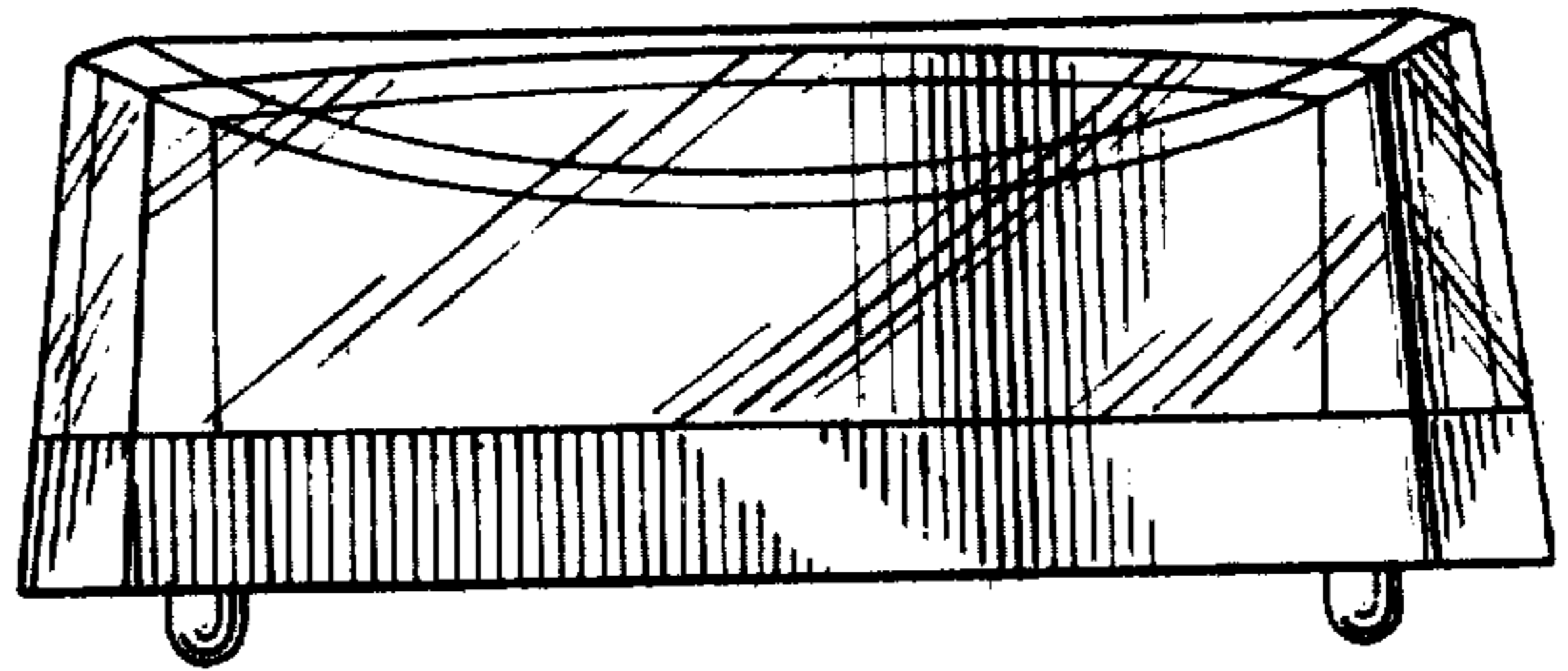


FIG. 3

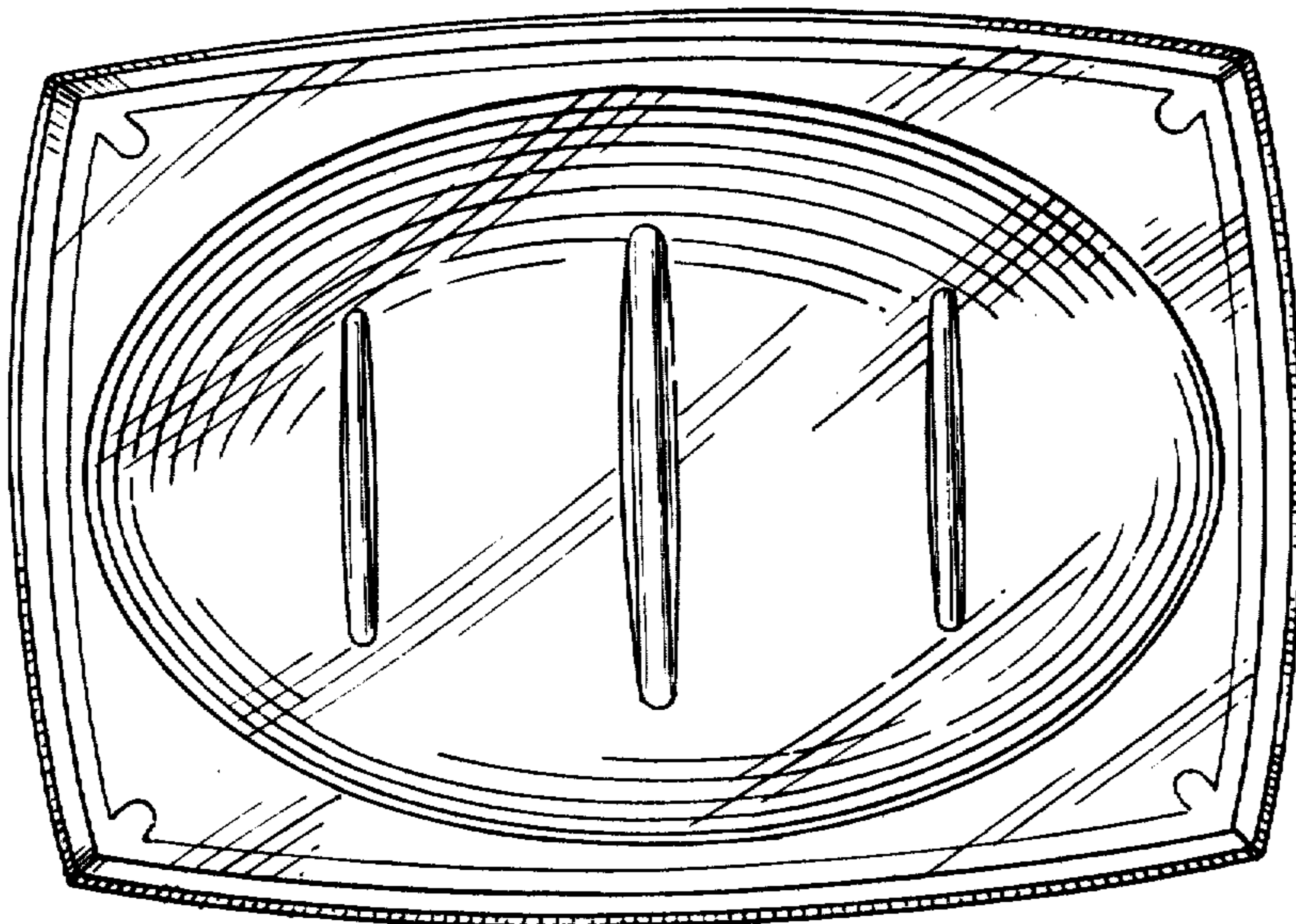


FIG. 4