

[54] **TOOTHBRUSH**

[75] **Inventor:** Gabriele Stocchi, Rome, Italy

[73] **Assignee:** Avantgarde S.p.A., Italy

[**] **Term:** 14 Years

[21] **Appl. No.:** 264,123

[22] **Filed:** May 15, 1981

[51] **Int. Cl.** D4—02

[52] **U.S. Cl.** D4/25

[58] **Field of Search** D4/24, 25, 28;
15/159 R, 159 A, 160, 167 R, 167 A

[56] **References Cited**

U.S. PATENT DOCUMENTS

- D. 102,048 11/1936 Brothers et al. D4/28
- 2,083,217 6/1937 Brothers et al. 15/167 R
- 2,186,005 1/1940 Casto 15/167 R

FOREIGN PATENT DOCUMENTS

- 383425 3/1908 France 15/167 R
- 22947 of 1908 United Kingdom 15/159 A

Primary Examiner—Catherine E. Kemper
Attorney, Agent, or Firm—McGlew and Tuttle

[57] **CLAIM**

The ornamental design for a toothbrush, substantially as shown and described.

DESCRIPTION

FIG. 1 is a side elevational view of a toothbrush, showing my new design;
FIG. 2 is a top plan view thereof;
FIG. 3 is a bottom perspective view thereof;
FIG. 4 is a sectional view thereof taken along line 4—4 of FIG. 3; and
FIG. 5 is a sectional view thereof taken along line 5—5 of FIG. 3.
The bristles have been omitted from FIG. 4 for ease of illustration.

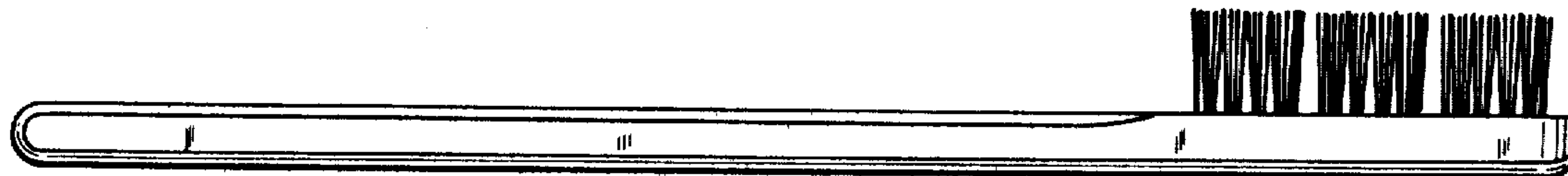
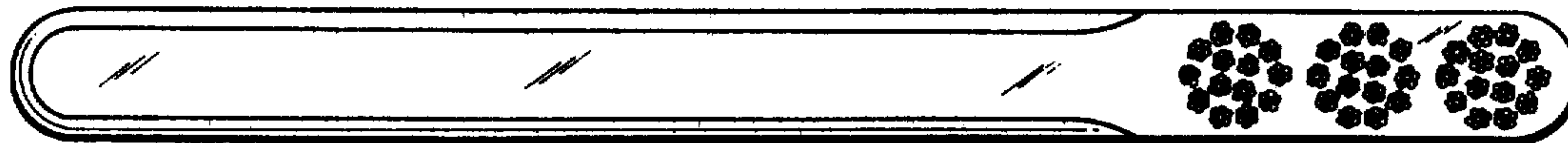




Fig. 2



Fig. 1

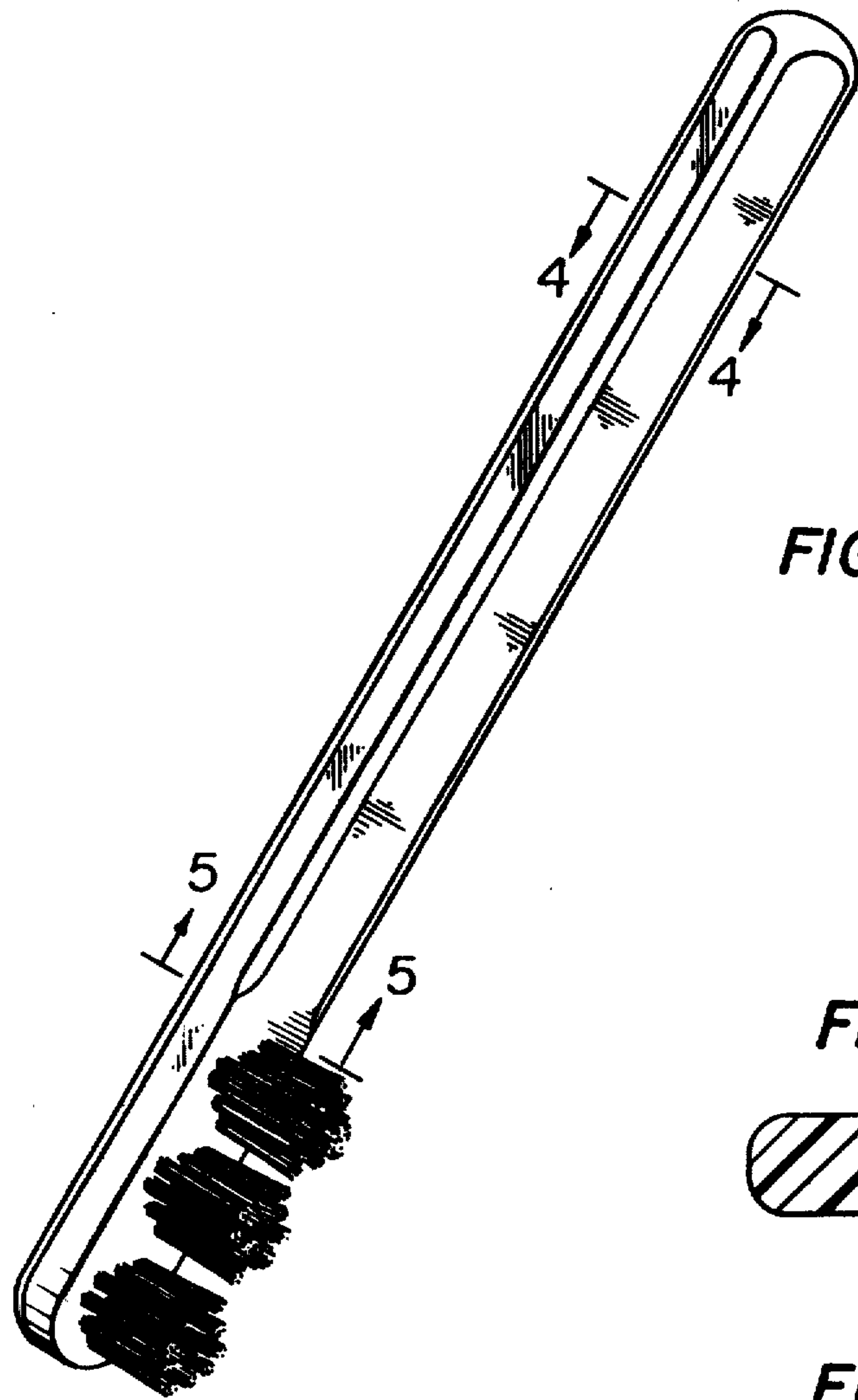


FIG. 3

FIG. 4



FIG. 5

