

[54] TOOTHBRUSH

[75] Inventor: Gabriele Stocchi, Rome, Italy

[73] Assignee: Avantgarde S.p.A., Italy

[\*\*] Term: 14 Years

[21] Appl. No.: 264,122

[22] Filed: May 15, 1981

[51] Int. Cl. .... D4-02

[52] U.S. Cl. .... D4/25

[58] Field of Search ..... D4/24, 25; 15/159 R,  
15/159 A, 160, 167 R, 167 A

[56] References Cited

U.S. PATENT DOCUMENTS

- D. 102,048 11/1936 Brothers et al. .... D4/28
- 2,083,217 6/1937 Brothers et al. .... 15/167 R
- 2,186,005 1/1940 Casto ..... 15/167 R

FOREIGN PATENT DOCUMENTS

- 383425 3/1908 France ..... 15/167 R
- 22947 of 1908 United Kingdom ..... 15/159 A

Primary Examiner—Catherine E. Kemper  
Attorney, Agent, or Firm—McGlew and Tuttle

[57] CLAIM

The ornamental design for a toothbrush, substantially as shown and described.

DESCRIPTION

FIG. 1 is a side elevational view of a toothbrush, showing my new design;

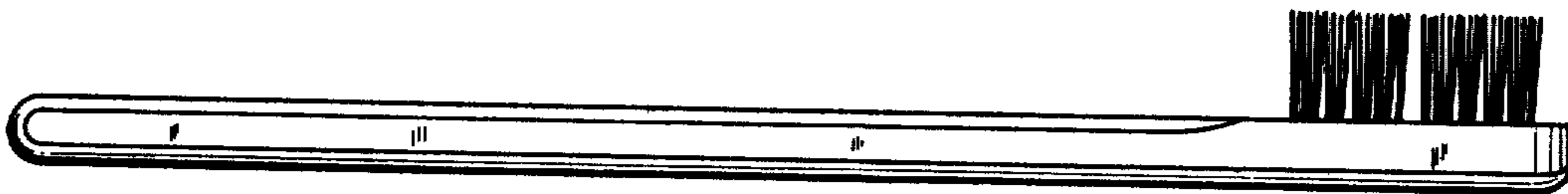
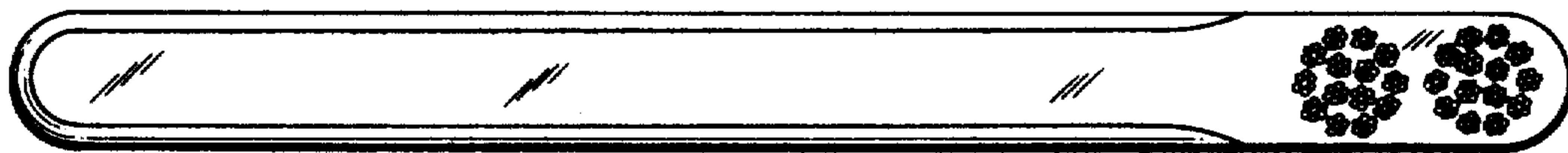
FIG. 2 is a top plan view thereof;

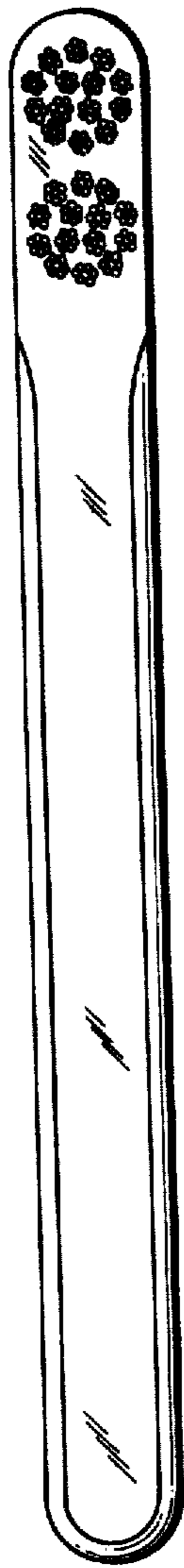
FIG. 3 is a bottom perspective view thereof;

FIG. 4 is a sectional view thereof taken along line 4—4 of FIG. 3; and

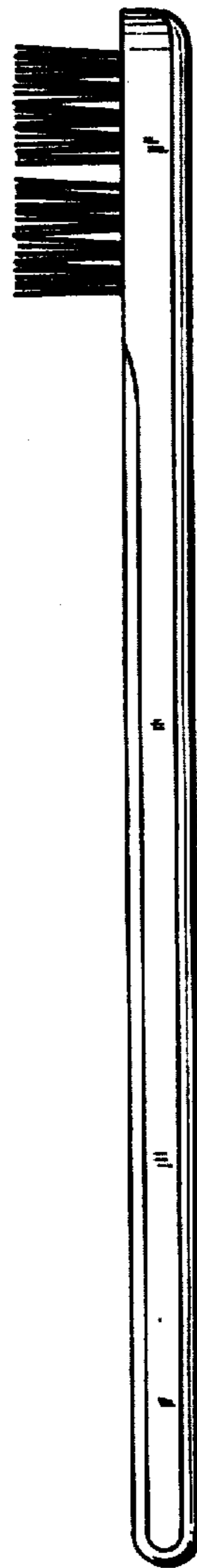
FIG. 5 is a sectional view thereof taken along line 5—5 of FIG. 3.

The bristles have been omitted from FIG. 4 for ease of illustration.

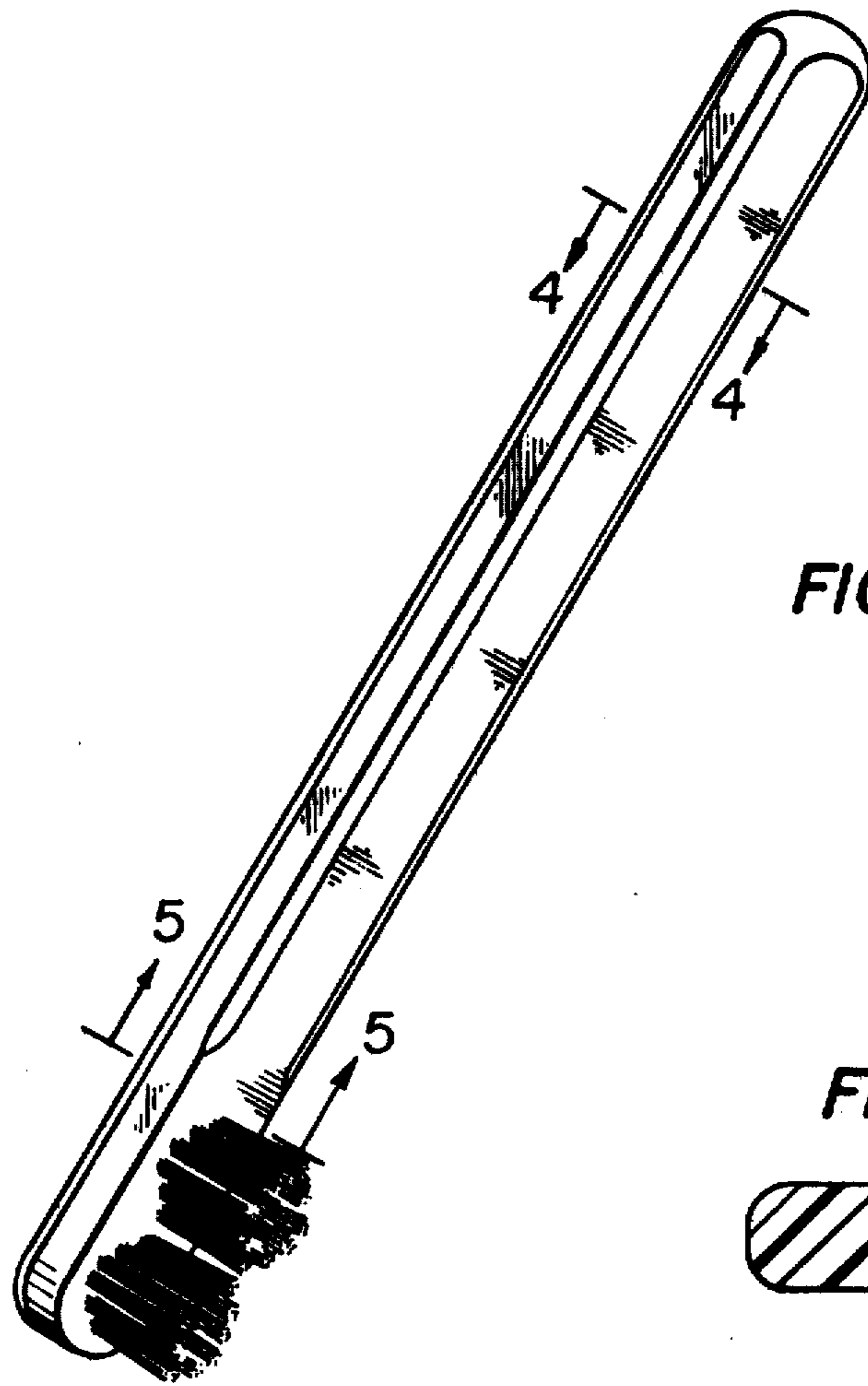




*Fig. 2*



*Fig. 1*



**FIG. 3**

**FIG. 4**



**FIG. 5**

