

[54] **TOOTHBRUSH**

[75] **Inventor:** Gabriele Stocchi, Rome, Italy

[73] **Assignee:** Avantgarde S.p.A., Italy

[\*\*] **Term:** 14 Years

[21] **Appl. No.:** 264,047

[22] **Filed:** May 15, 1981

[51] **Int. Cl.** ..... D4-02

[52] **U.S. Cl.** ..... D4/25

[58] **Field of Search** ..... D4/24, 25, 28;  
15/159 R, 159 A, 160, 167 R, 167 A

[56] **References Cited**

**U.S. PATENT DOCUMENTS**

- D. 102,048 11/1936 Brothers et al. .... D4/28
- 2,186,005 1/1940 Casto ..... 15/167 R
- 2,241,584 5/1941 Cohen ..... 15/167 R

**FOREIGN PATENT DOCUMENTS**

- 383425 3/1908 France ..... 15/167 R
- 22947 of 1908 United Kingdom ..... 15/159 A
- 13994 of 1913 United Kingdom ..... 15/167 R

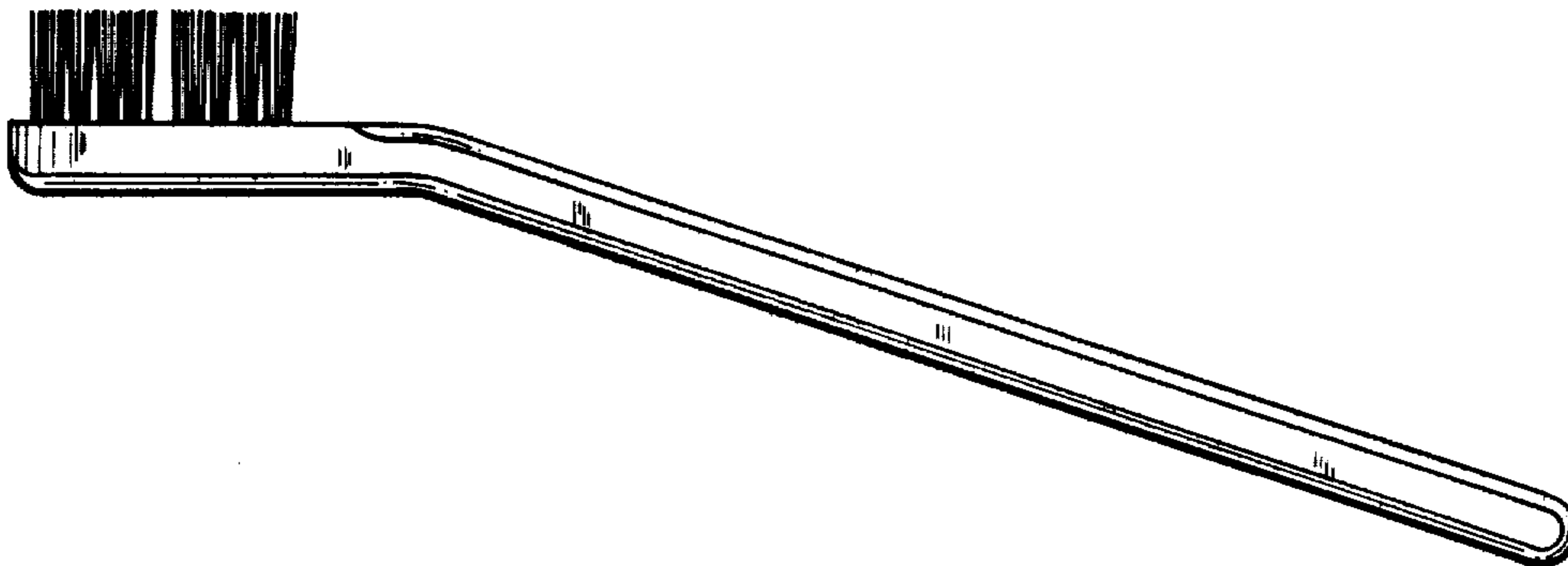
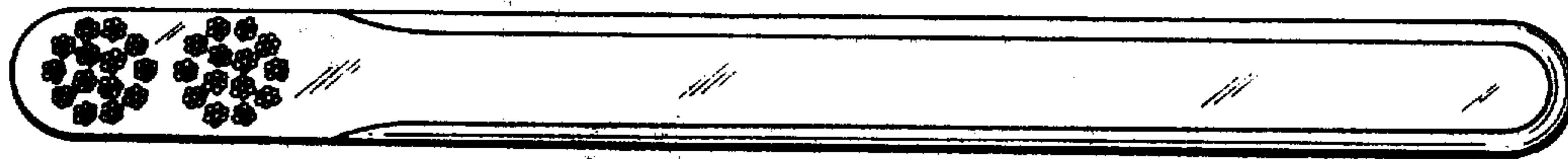
*Primary Examiner*—Catherine E. Kemper  
*Attorney, Agent, or Firm*—McGlew and Tuttle

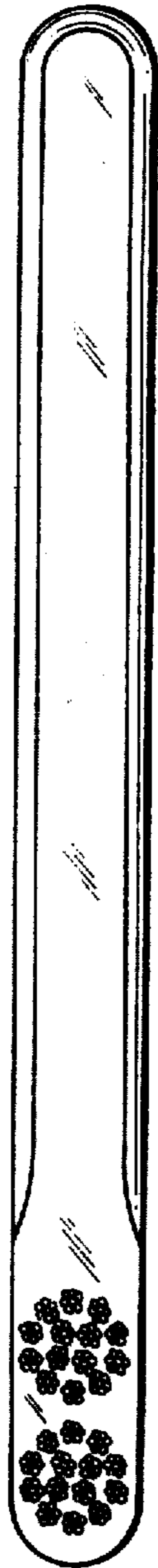
[57] **CLAIM**

The ornamental design for a toothbrush, substantially as shown and described.

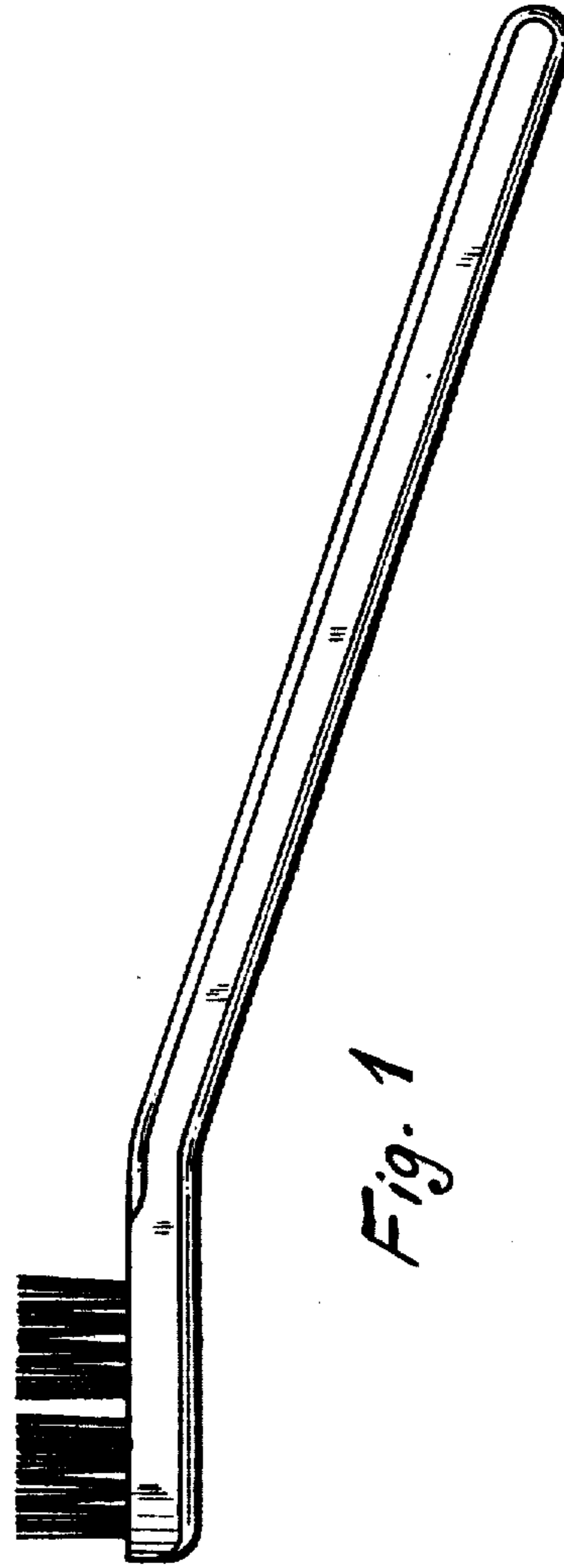
**DESCRIPTION**

FIG. 1 is a side elevational view of a toothbrush, showing my new design;  
FIG. 2 is a top plan view thereof;  
FIG. 3 is a bottom perspective view thereof;  
FIG. 4 is a sectional view thereof taken along line 4—4 of FIG. 3; and  
FIG. 5 is a sectional view thereof taken along line 5—5 of FIG. 3.  
The bristles have been omitted from FIG. 4 for ease of illustration.





*Fig. 2*



*Fig. 1*

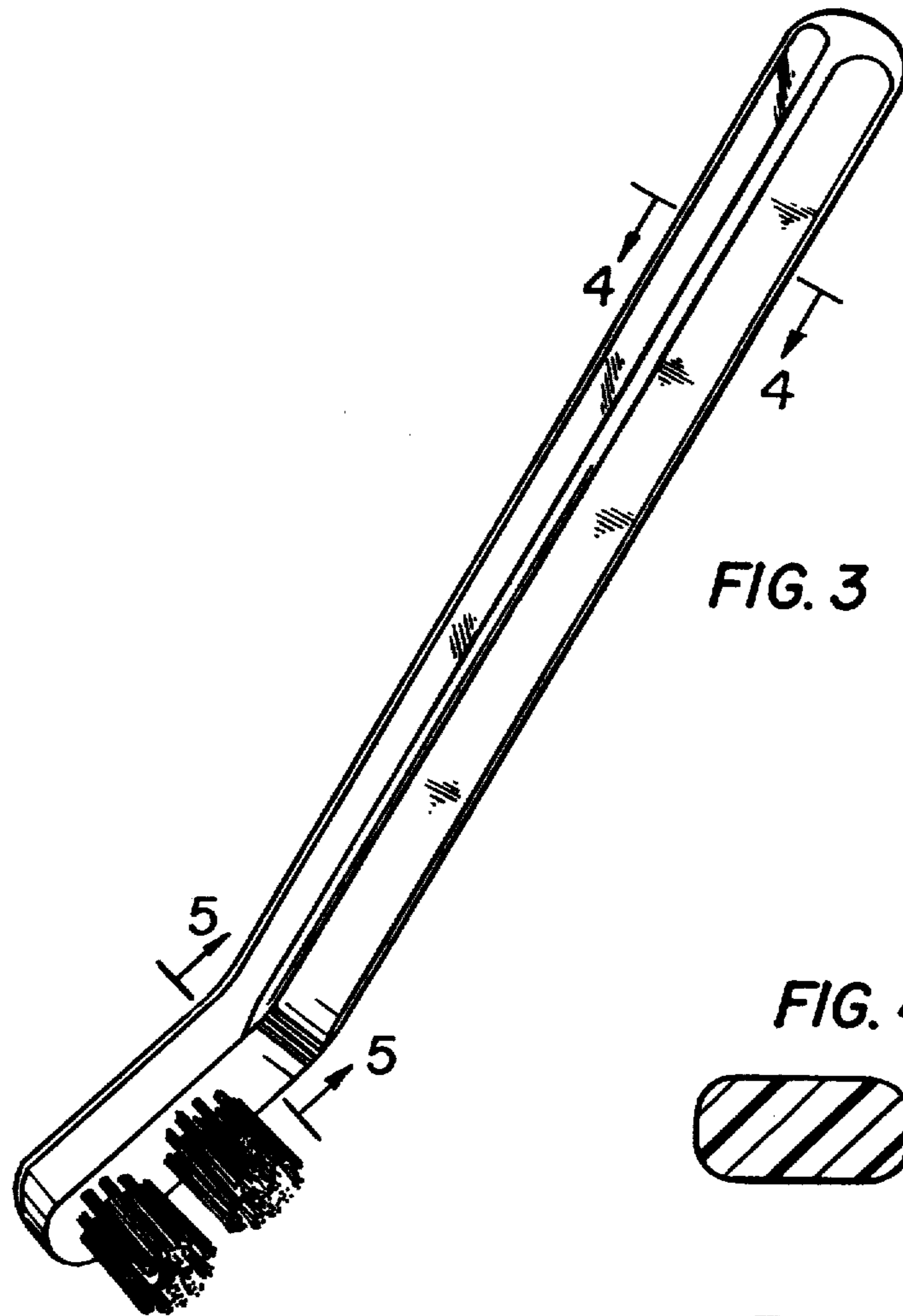


FIG. 3

FIG. 4



FIG. 5

