

[54] TOOTHBRUSH

[75] Inventor: Gabriele Stocchi, Rome, Italy

[73] Assignee: Avantgarde S.p.A., Italy

[**] Term: 14 Years

[21] Appl. No.: 263,865

[22] Filed: May 15, 1981

[51] Int. Cl. D4-02

[52] U.S. Cl. D4/25

[58] Field of Search D4/24, 25, 28;
15/159 R, 159 A, 160, 167 R, 167 A

[56] References Cited

U.S. PATENT DOCUMENTS

- D. 102,048 11/1936 Brothers et al. D4/28
- 2,186,005 1/1940 Casto 15/167 R
- 2,241,584 5/1941 Cohen 15/167 R

FOREIGN PATENT DOCUMENTS

- 383425 3/1908 France 15/167 R
- 22947 of 1908 United Kingdom 15/159 A
- 13994 of 1913 United Kingdom 15/167 R

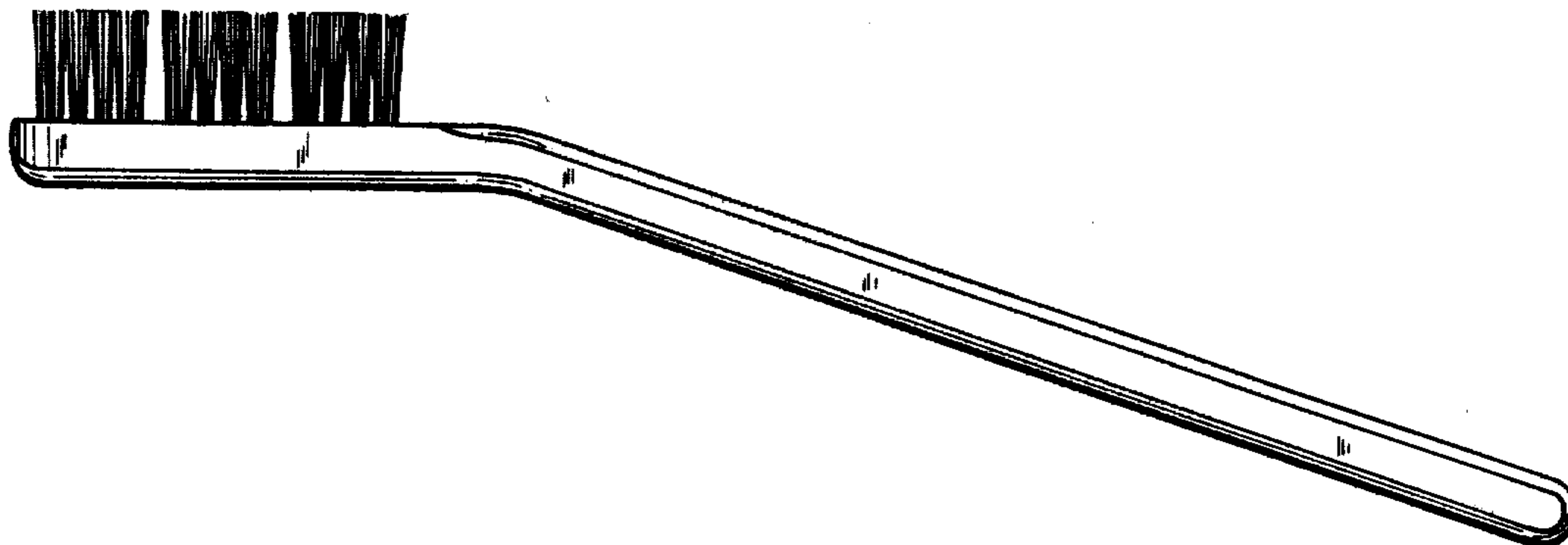
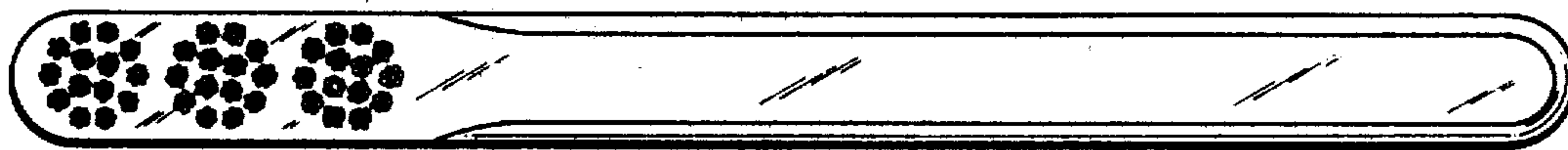
Primary Examiner—Catherine E. Kemper
Attorney, Agent, or Firm—McGlew and Tuttle

[57] CLAIM

The ornamental design for a toothbrush, substantially as shown and described.

DESCRIPTION

FIG. 1 is a side elevational view of a toothbrush, showing my new design;
FIG. 2 is a top plan view thereof;
FIG. 3 is a bottom perspective view thereof;
FIG. 4 is a sectional view thereof taken along line 4-4 of FIG. 3; and
FIG. 5 is a sectional view thereof taken along line 5-5 of FIG. 3.
The bristles have been omitted from FIG. 4 for ease of illustration.



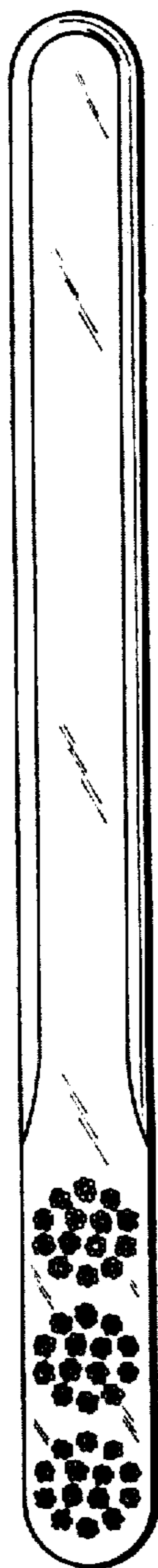


Fig. 2

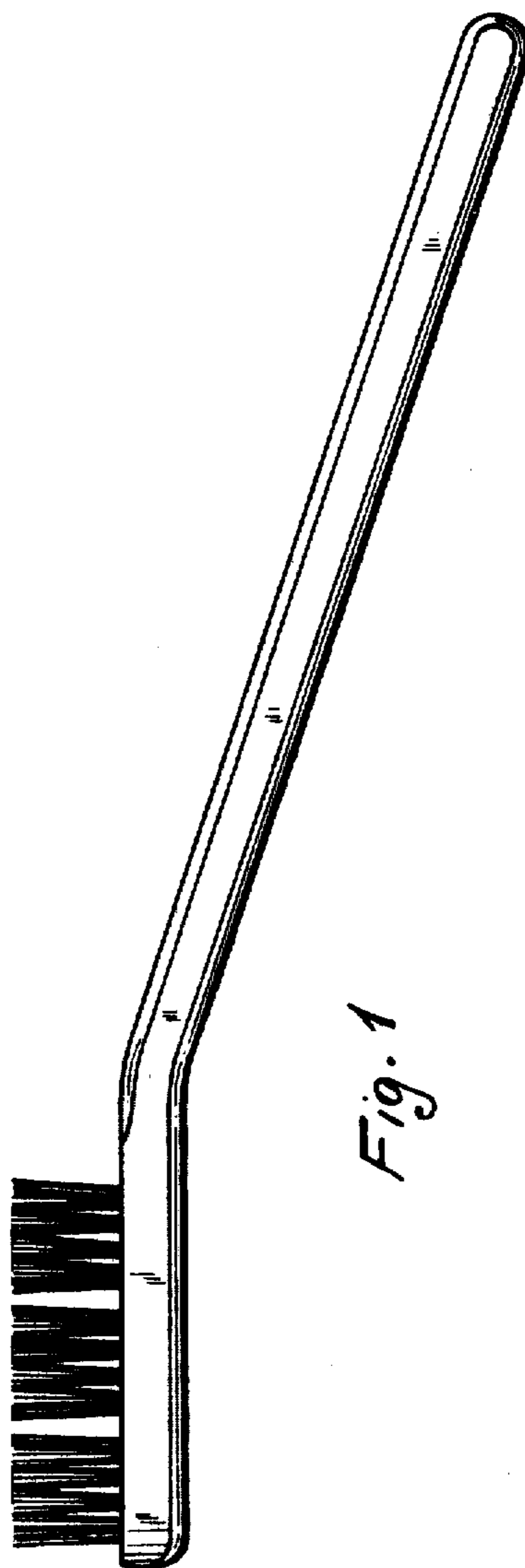


Fig. 1

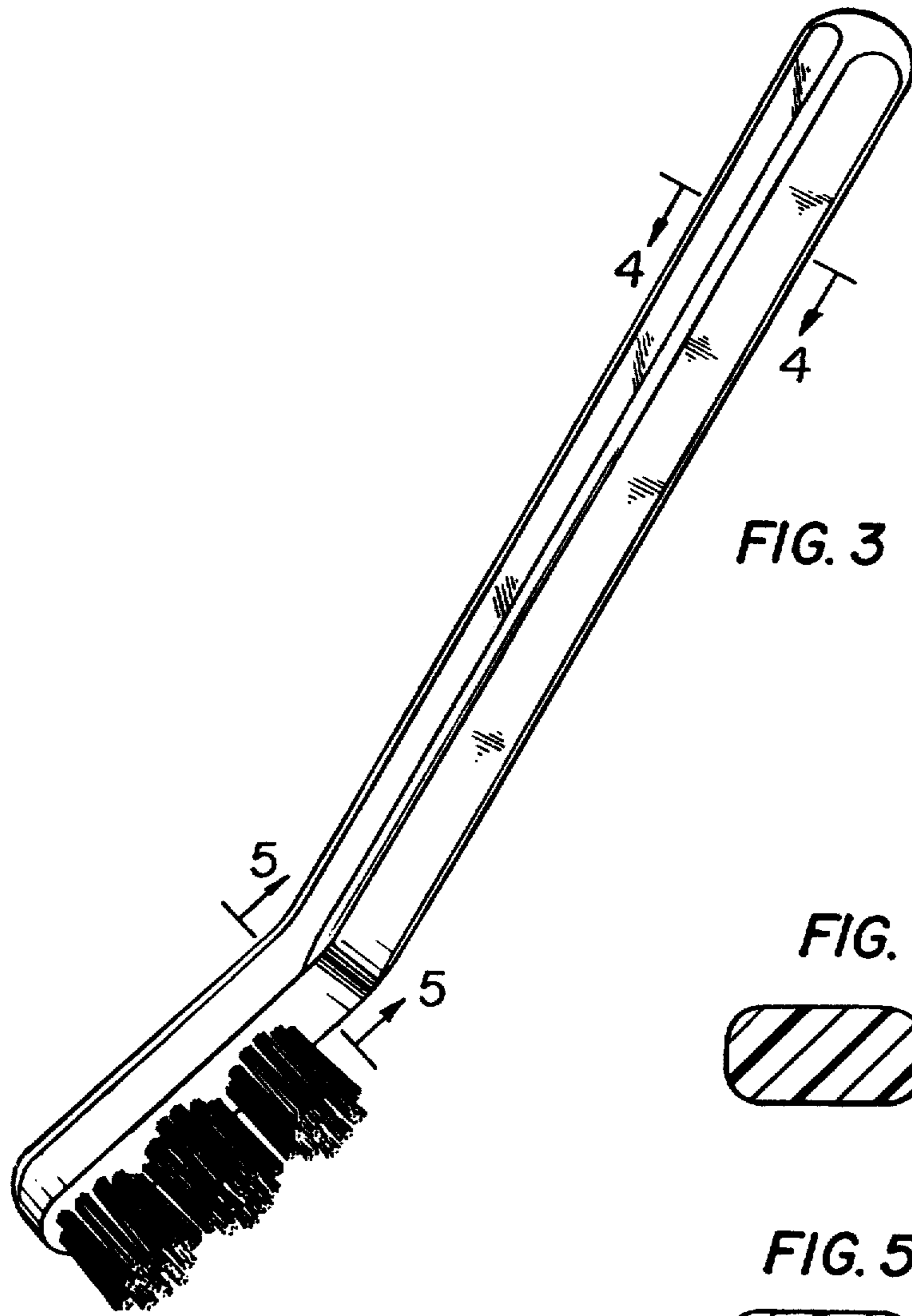


FIG. 3

FIG. 4



FIG. 5

