

[54] **TOOTHBRUSH**

[75] **Inventor:** Gabriele Stocchi, Rome, Italy

[73] **Assignee:** Avantgarde S.p.A., Italy

[**] **Term:** 14 Years

[21] **Appl. No.:** 263,862

[22] **Filed:** May 15, 1981

[51] **Int. Cl.** D4—02

[52] **U.S. Cl.** D4/25

[58] **Field of Search** D4/24, 25; 15/159 R,
15/159 A, 160, 167 R, 167 A

[56] **References Cited**

U.S. PATENT DOCUMENTS

- 2,241,584 5/1941 Cohen 15/167 R
- 2,618,003 11/1952 Robey 15/167 R X
- 2,622,259 12/1952 Chauvin 15/167 R

FOREIGN PATENT DOCUMENTS

- 13994 of 1913 United Kingdom 15/167 R
- 22947 10/1928 United Kingdom 15/159 A

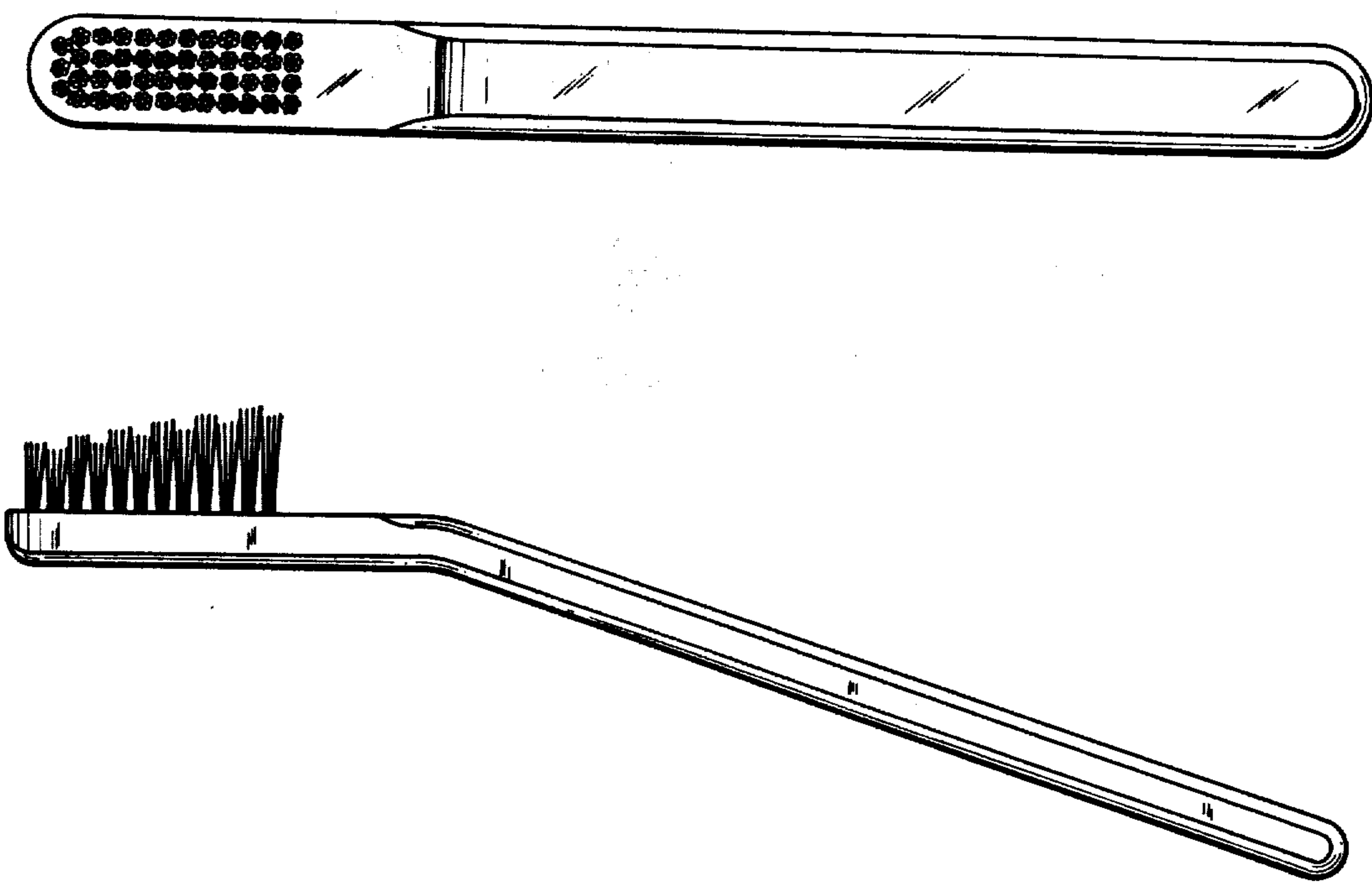
Primary Examiner—Catherine E. Kemper
Attorney, Agent, or Firm—McGlew and Tuttle

[57] **CLAIM**

The ornamental design for a toothbrush, substantially as shown and described.

DESCRIPTION

FIG. 1 is a side elevational view of a toothbrush, showing my new design;
FIG. 2 is a top plan view thereof;
FIG. 3 is a bottom perspective view thereof;
FIG. 4 is a sectional view thereof taken along line 4—4 of FIG. 3; and
FIG. 5 is a sectional view thereof taken along line 5—5 of FIG. 3.
The bristles have been omitted from FIG. 4 for ease of illustration.



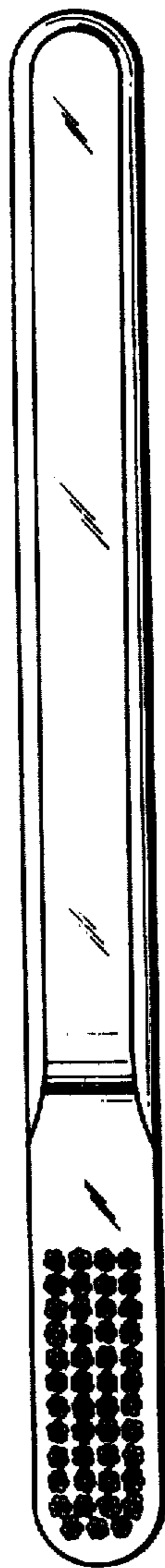


Fig. 2

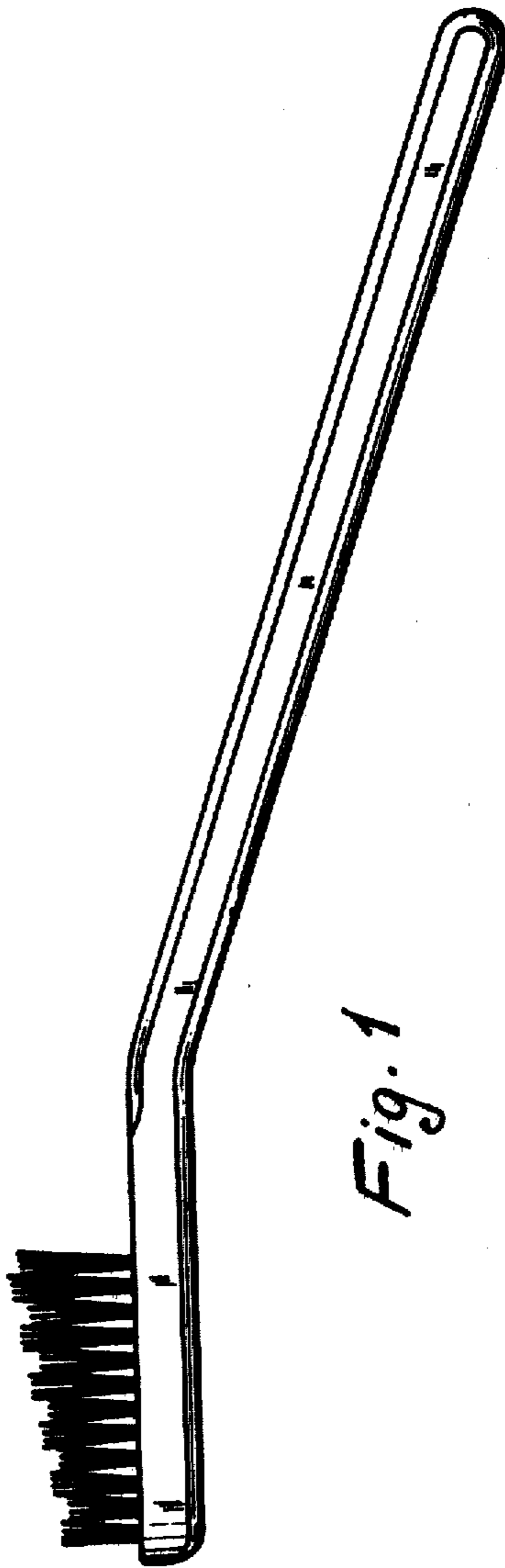


Fig. 1

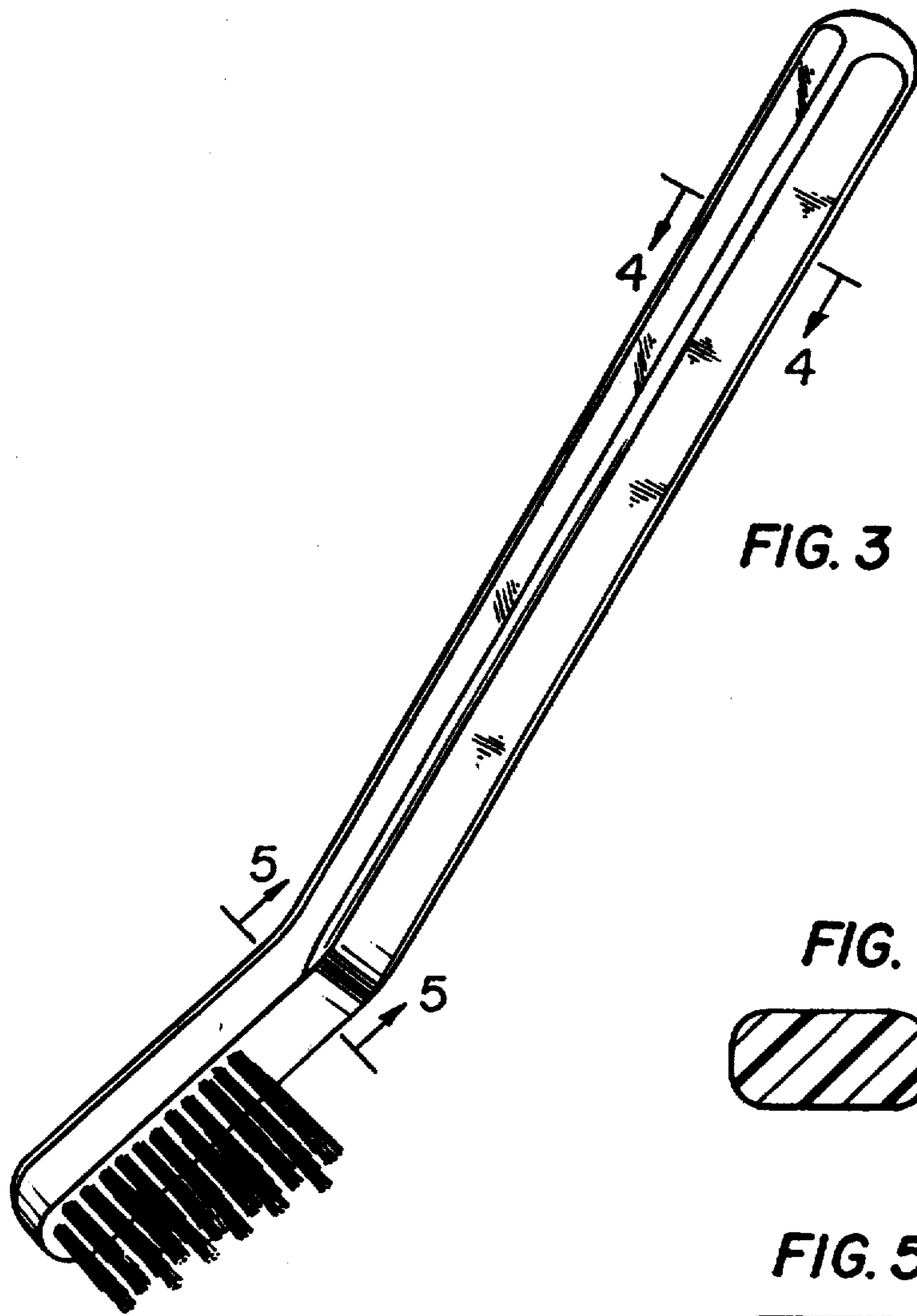


FIG. 3

FIG. 4



FIG. 5

