

[54] LIFTING JACK

[75] Inventor: Tozaburo Tsujimura, Shizuoka, Japan

[73] Assignee: Yasui Sangyo Co., Ltd., Fujinomiya, Japan

[**] Term: 14 Years

[21] Appl. No.: 241,359

[22] Filed: Mar. 6, 1981

[51] Int. Cl. D12-05

[52] U.S. Cl. D34/31

[58] Field of Search D34/31; 254/8 B, 9 B

[56] References Cited

U.S. PATENT DOCUMENTS

4,018,421 4/1977 Tallman D34/31

OTHER PUBLICATIONS

Ausco Catalog No. 158, ©5/58, p. 7, D-7400 Jack, center of page.

Motor Magazine, 3/60, p. 96, Blackhawk Lift, lower left side of page.

Primary Examiner—James M. Gandy
Attorney, Agent, or Firm—Zarley, McKee, Thomte, Voorhees & Sease

[57] CLAIM

The ornamental design for a lifting jack, substantially as shown and described.

DESCRIPTION

FIG. 1 is a perspective view taken from the rear and one side of a lifting jack showing my new design in raised condition;

FIG. 2 is a perspective view taken from the front and opposite side thereof; and

FIG. 3 is a perspective view thereof similar to that of FIG. 1 but in lowered condition.

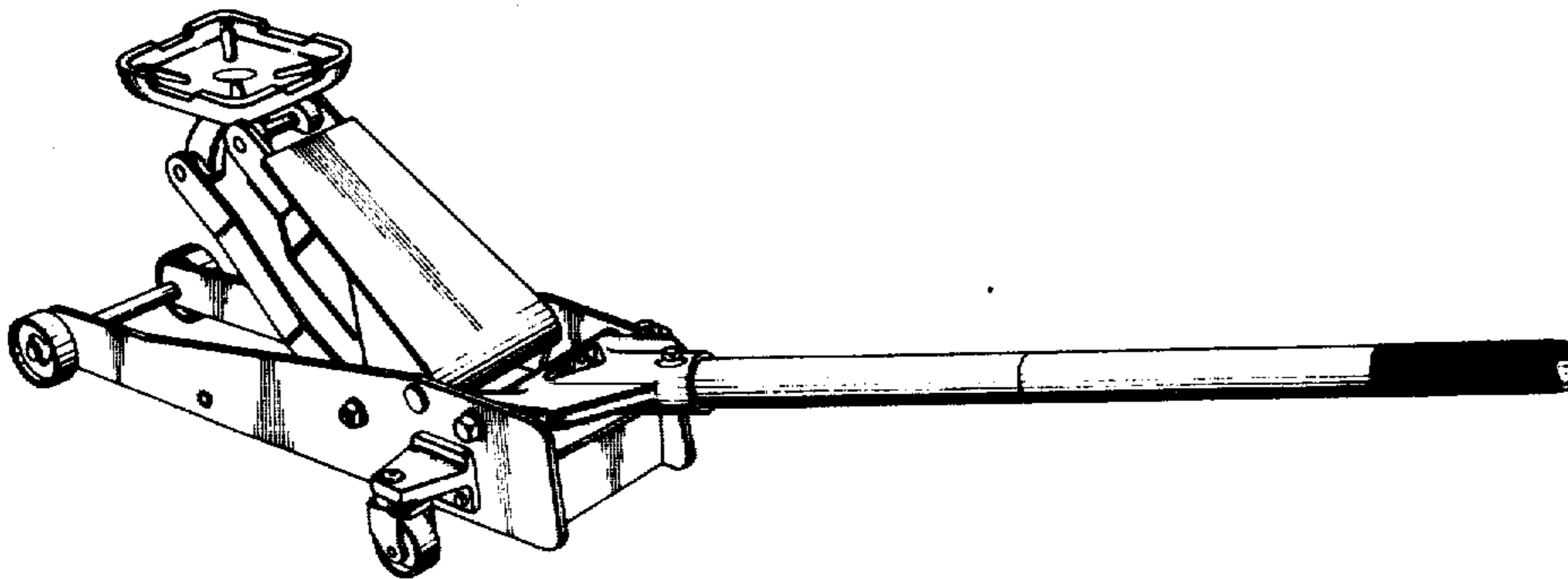


FIG. 1

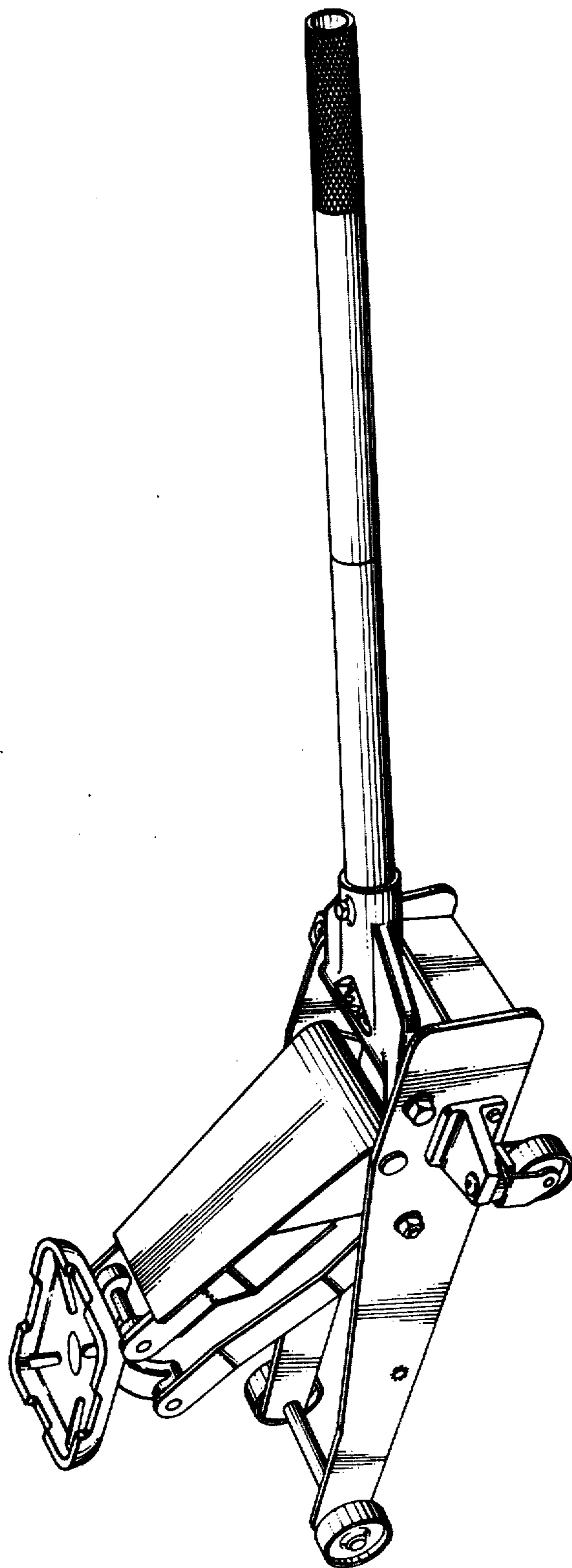


FIG. 2

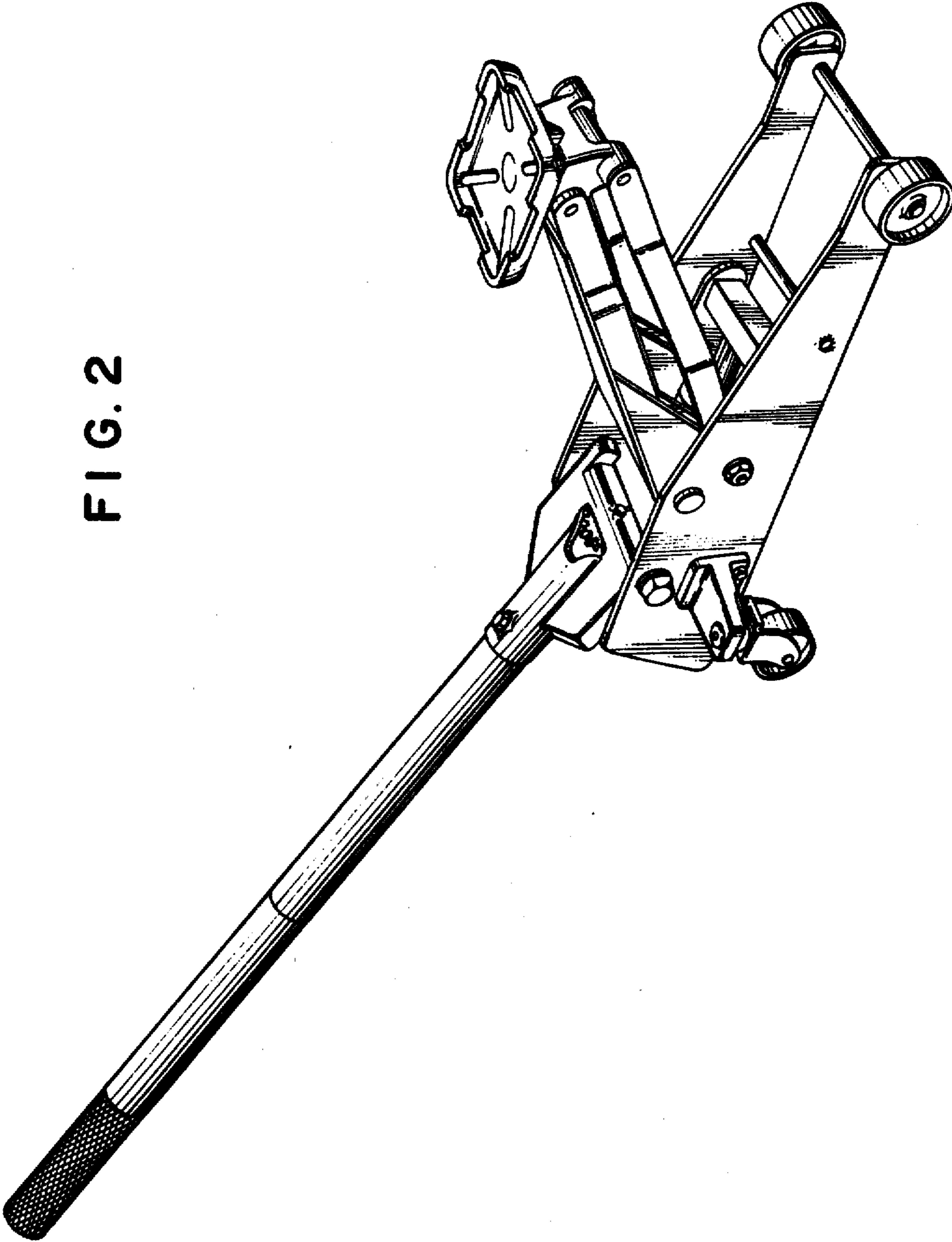


FIG. 3

