

[54] DRUM FOR A LAUNDRY MACHINE

[75] Inventors: William H. Percival, Cheslyn Hay
Near Walsall; Henry R. Wilkins,
Shifnal, both of England

[73] Assignee: Servis Realisations Limited,
Wednesbury, England

[**] Term: 14 Years

[21] Appl. No.: 254,089

[22] Filed: Apr. 14, 1981

[30] Foreign Application Priority Data

Oct. 28, 1980 [DK] Denmark 897/1980

[51] Int. Cl. D15-05

[52] U.S. Cl. D32/29

[58] Field of Search D32/29; 68/19.2, 26,
68/139, 140, 141, 142, 143, 144, 145

[56] References Cited

U.S. PATENT DOCUMENTS

D. 174,702 5/1955 Oberg D32/29
3,927,542 12/1975 de Hedouville 68/139

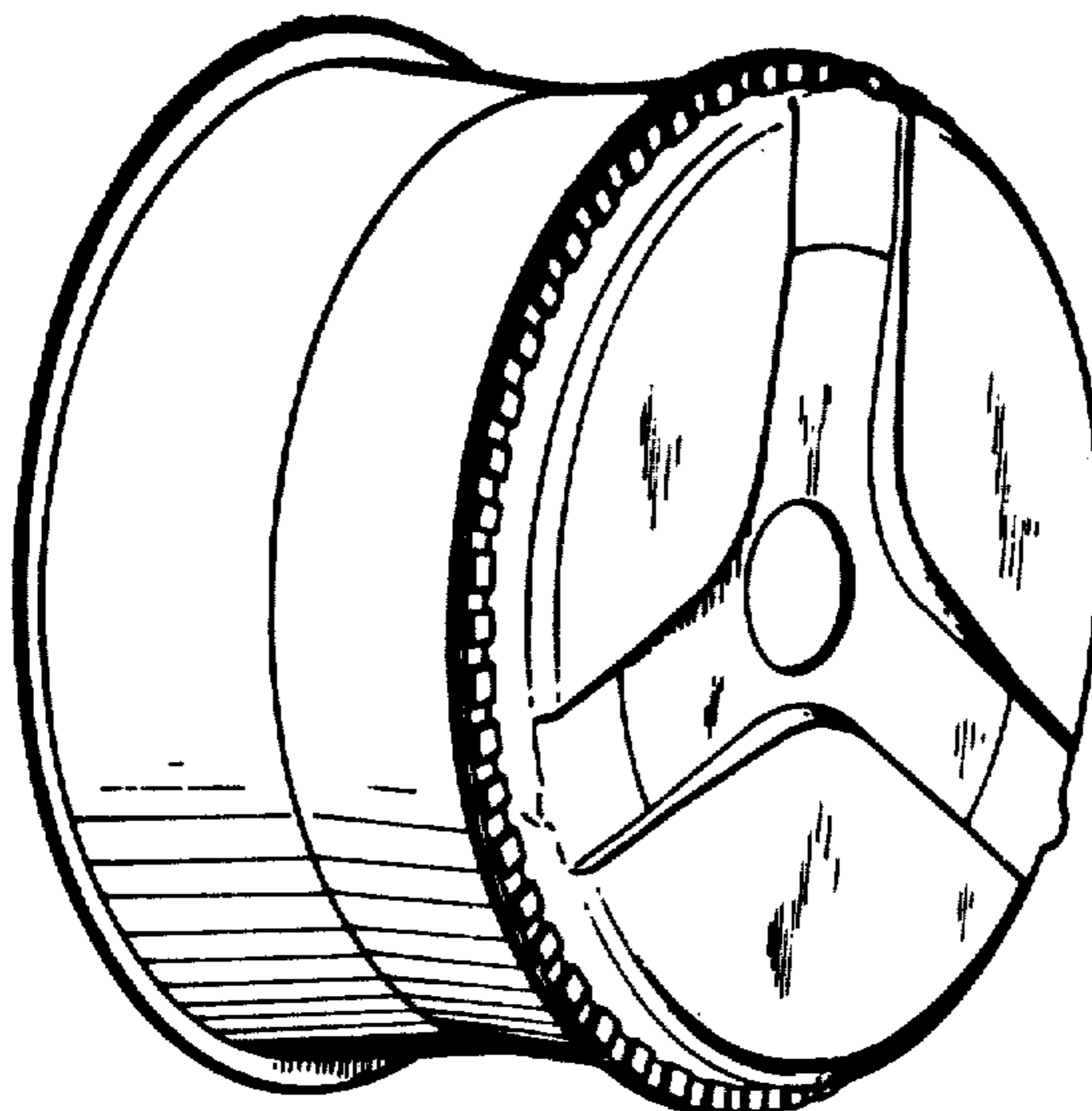
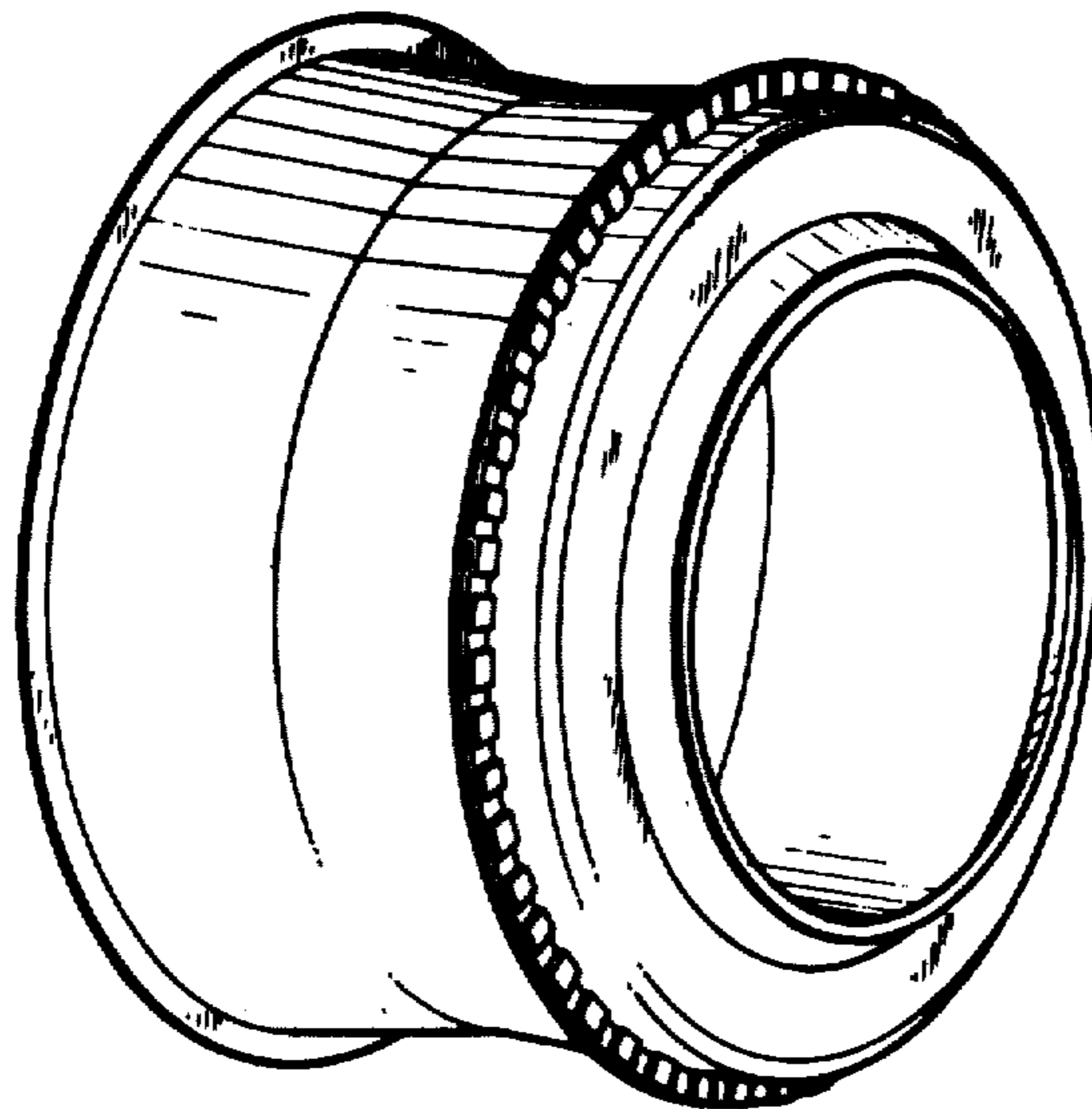
Primary Examiner—Wallace R. Burke
Assistant Examiner—Lynn Wilder
Attorney, Agent, or Firm—Spencer & Frank

[57] CLAIM

The ornamental design for a drum for a laundry machine, as shown and described.

DESCRIPTION

FIG. 1 is a side elevational view of the drum for a laundry machine;
FIG. 2 is a front elevational view thereof;
FIG. 3 is a rear elevational view thereof;
FIG. 4 is a perspective view from the front thereof;
FIG. 5 is a perspective view from the rear thereof.



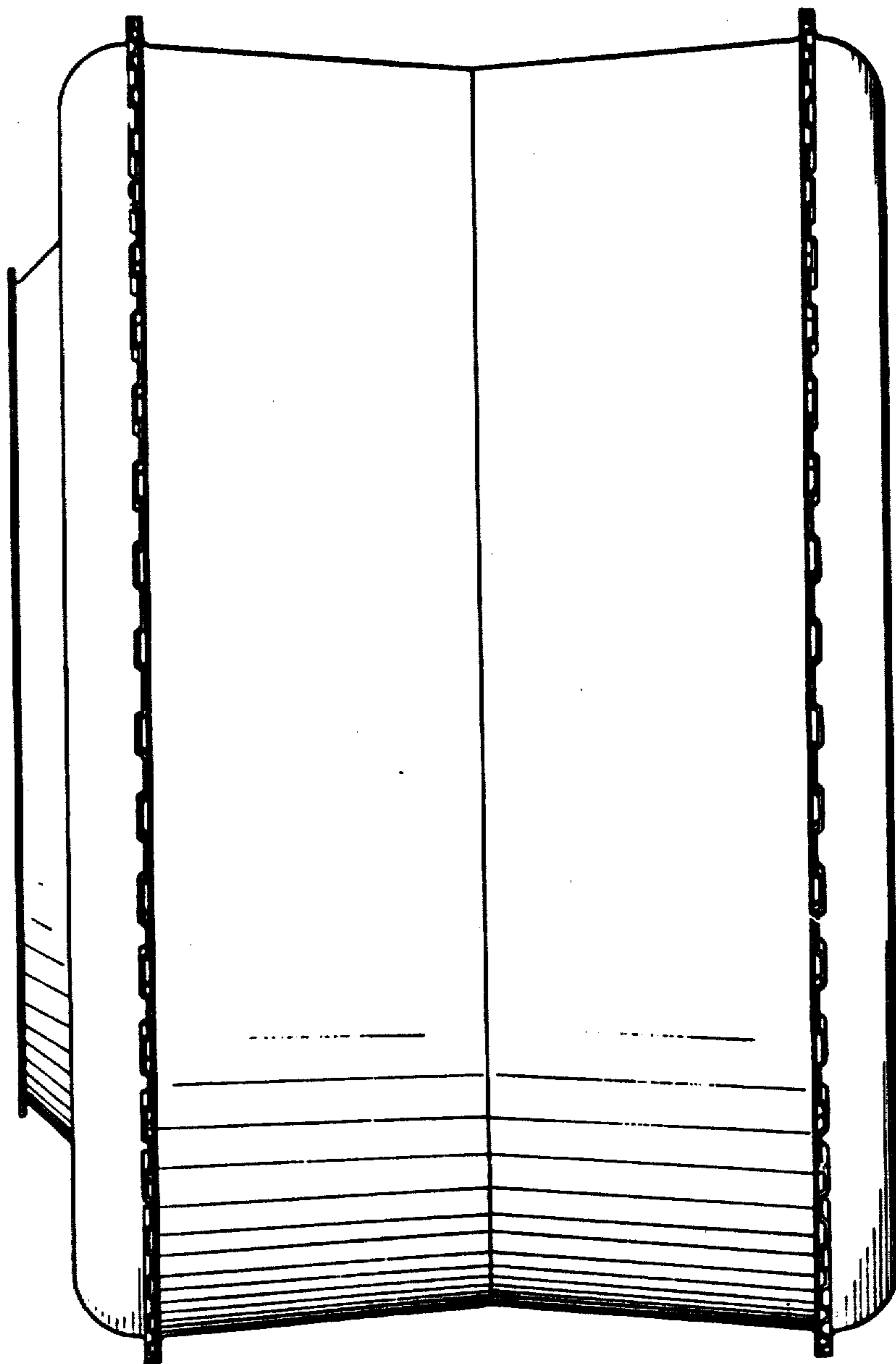


FIG 1

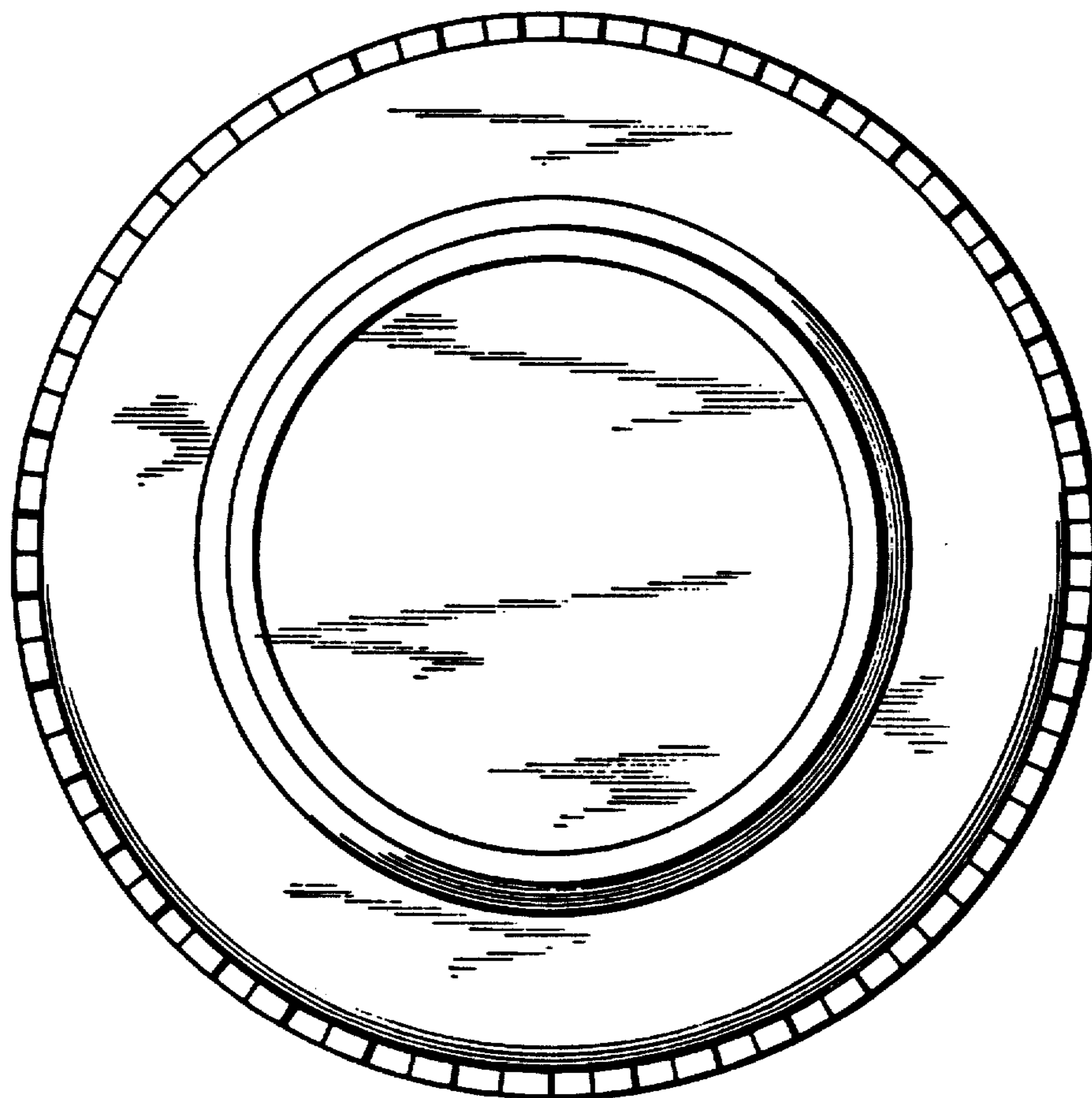


FIG 2

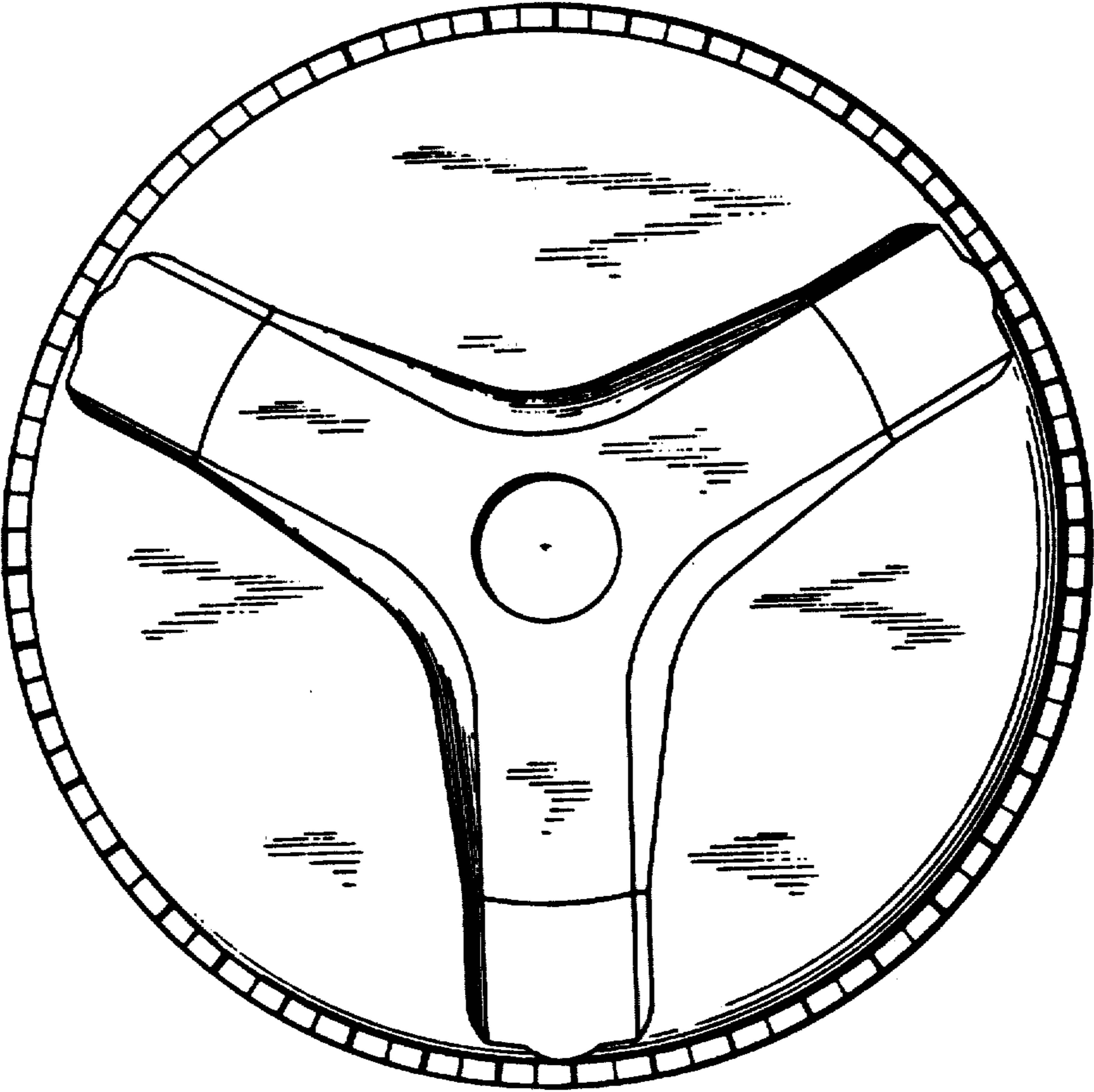
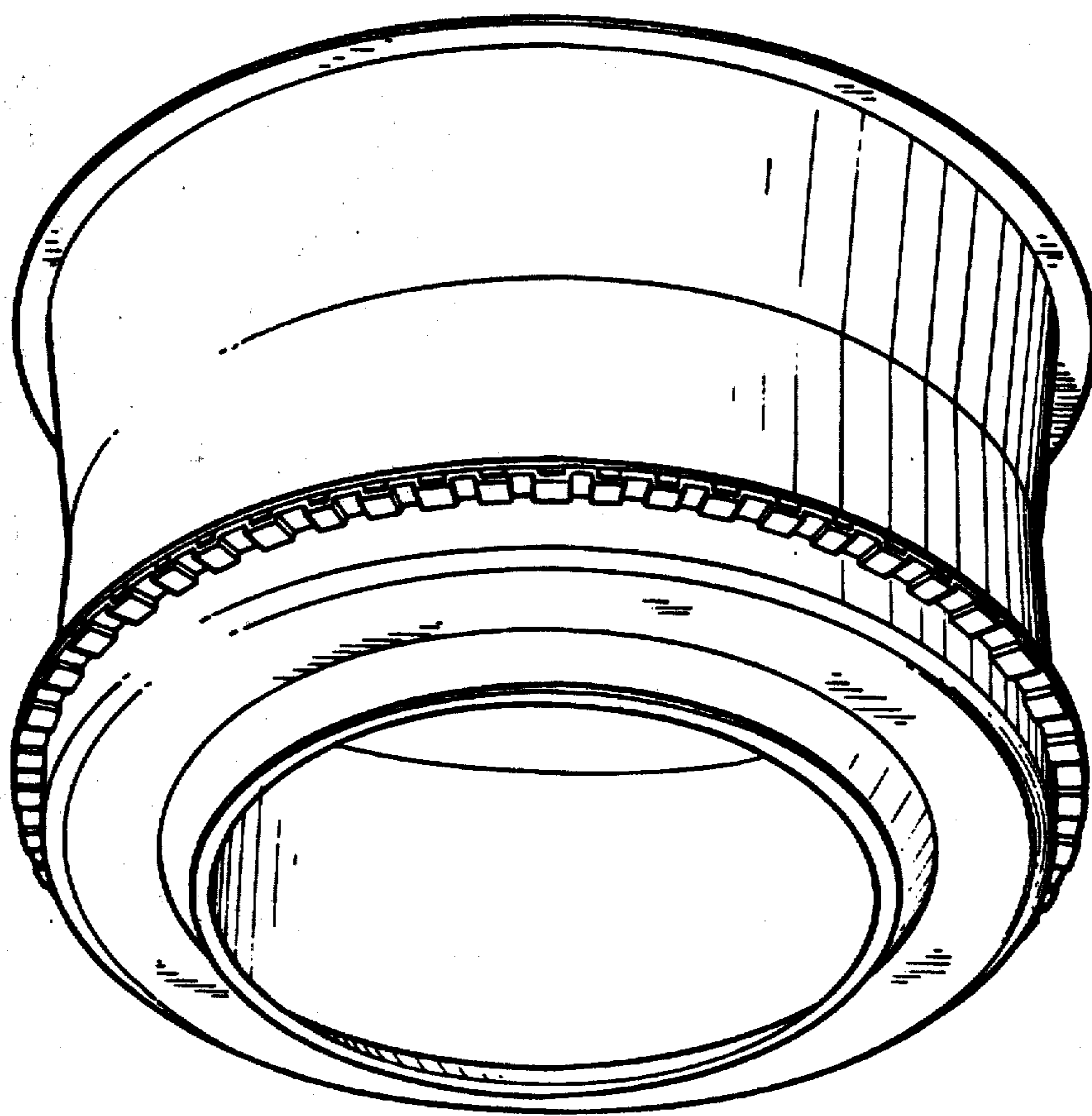


FIG 3

FIG 4



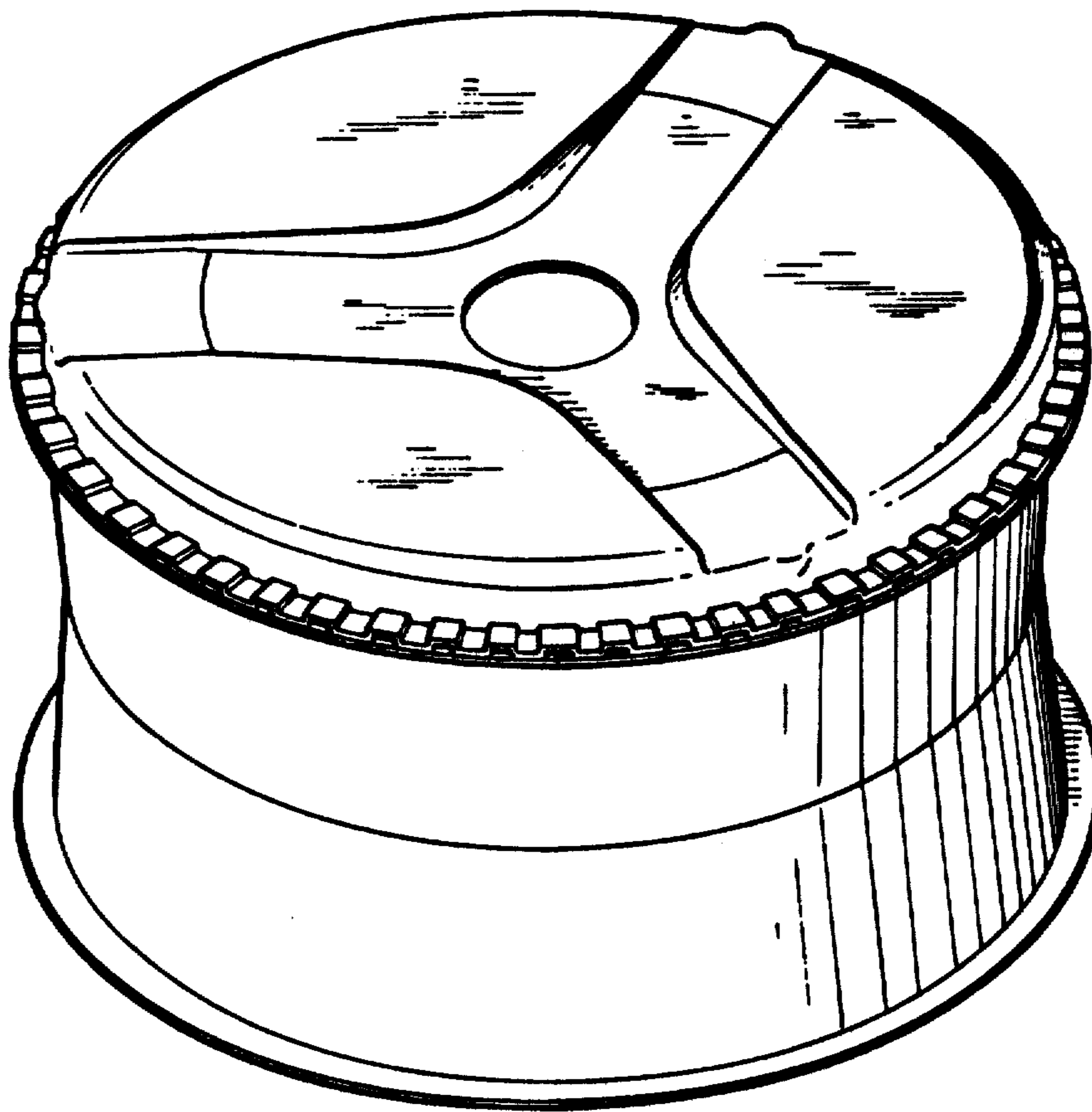


FIG 5