

[54] HAIR STYLING ACCESSORIES CONTAINER

[75] Inventor: John R. Forsberg, Arlington Heights, Ill.

[73] Assignee: Helene Curtis Industries, Inc., Chicago, Ill.

[**] Term: 14 Years

[21] Appl. No.: 284,600

[22] Filed: Jul. 20, 1981

[51] Int. Cl. D28-03

[52] U.S. Cl. D28/38

[58] Field of Search D28/9, 38, 73, 75, 99, D28/11; 219/222; 132/1 R

[56] References Cited

U.S. PATENT DOCUMENTS

- D. 223,421 4/1972 Benty D28/38
- D. 267,902 2/1983 Meisner et al. D28/38 X

Primary Examiner—Louis S. Zarfes
Attorney, Agent, or Firm—Dressler, Goldsmith

[57] CLAIM

The ornamental design for a hair styling accessories container, substantially as shown and described.

DESCRIPTION

FIG. 1 is a perspective view of a hair styling accessories container showing my new design, the broken line disclosure of rollers and clips being illustrative of environment only;

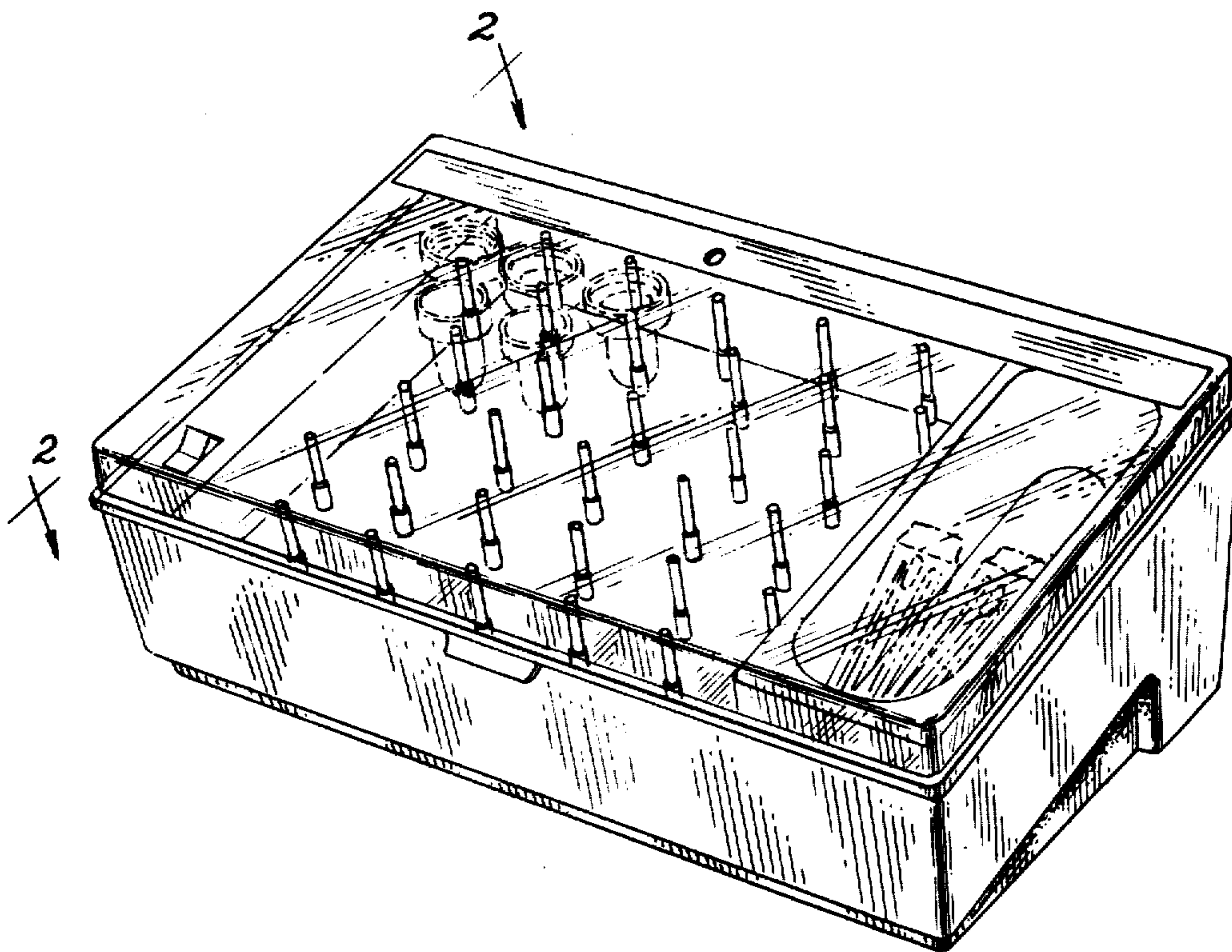
FIG. 2 is a plan view thereof on an enlarged scale, as seen from plane 2—2 of FIG. 1;

FIGS. 3 and 6 are side elevational views thereof;

FIG. 4 is a front elevational view thereof, on an enlarged scale, as seen from plane 4—4 of FIG. 3;

FIG. 5 is a rear elevational view thereof on an enlarged scale, as seen from plane 5—5 of FIG. 3; and

FIG. 7 is a bottom plan view thereof on an enlarged scale, as seen from plane 7—7 of FIG. 6.



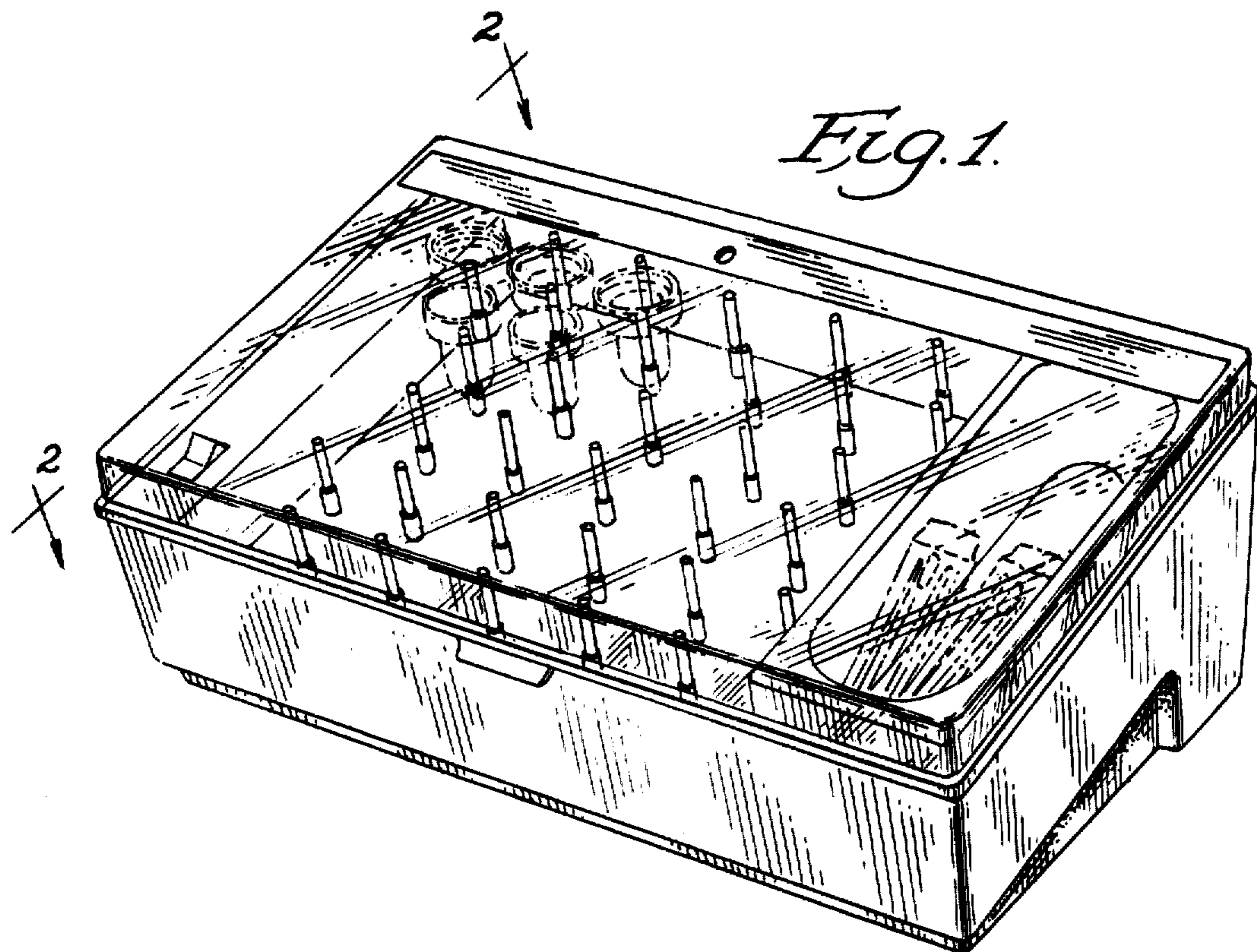


Fig. 2.

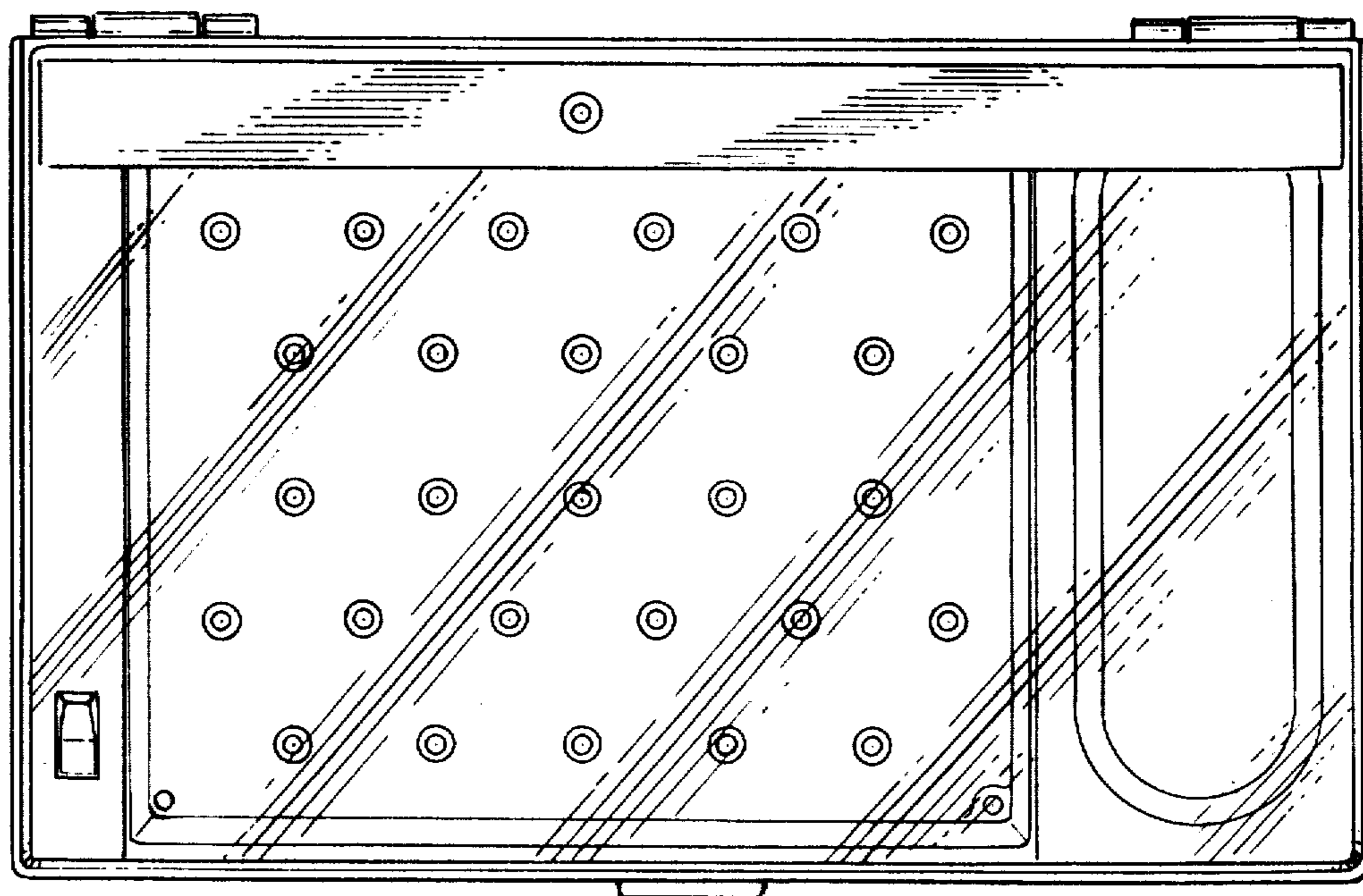


Fig. 3

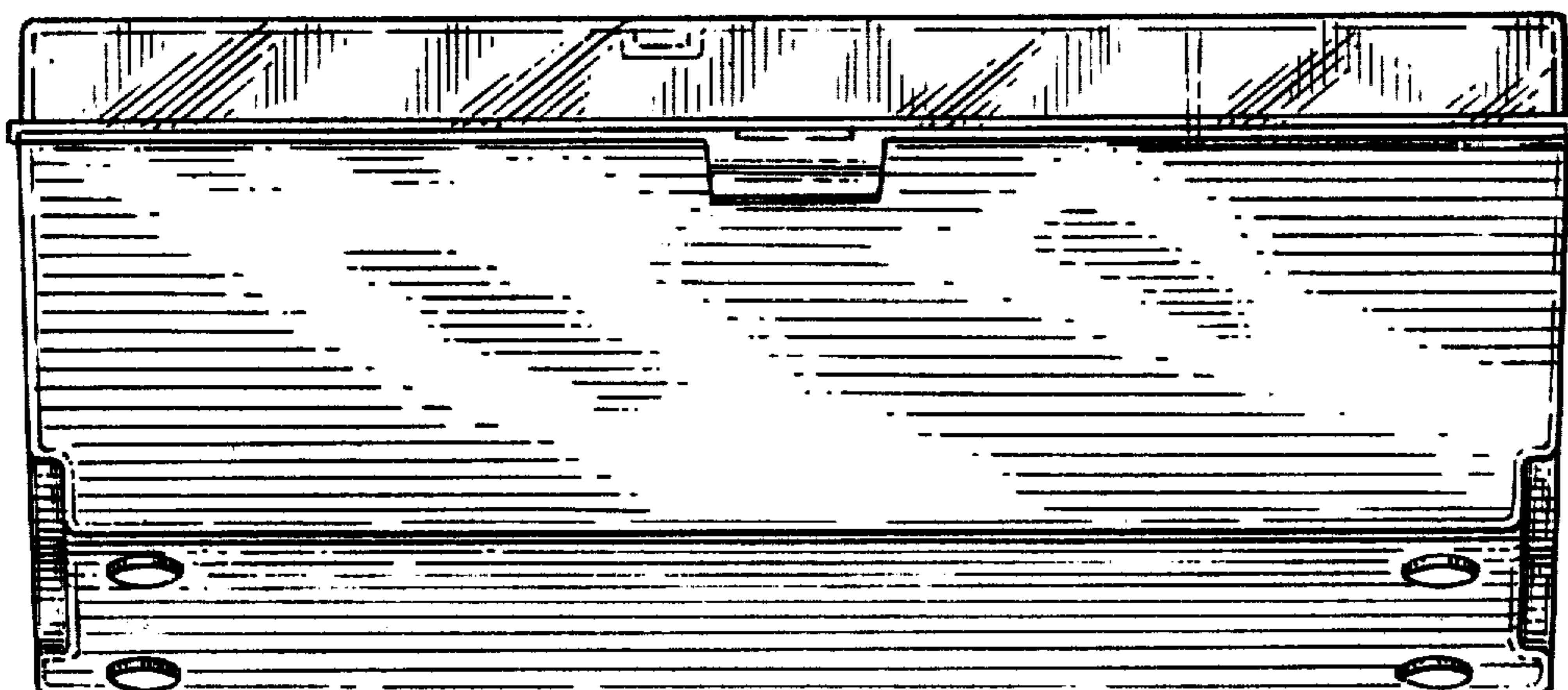
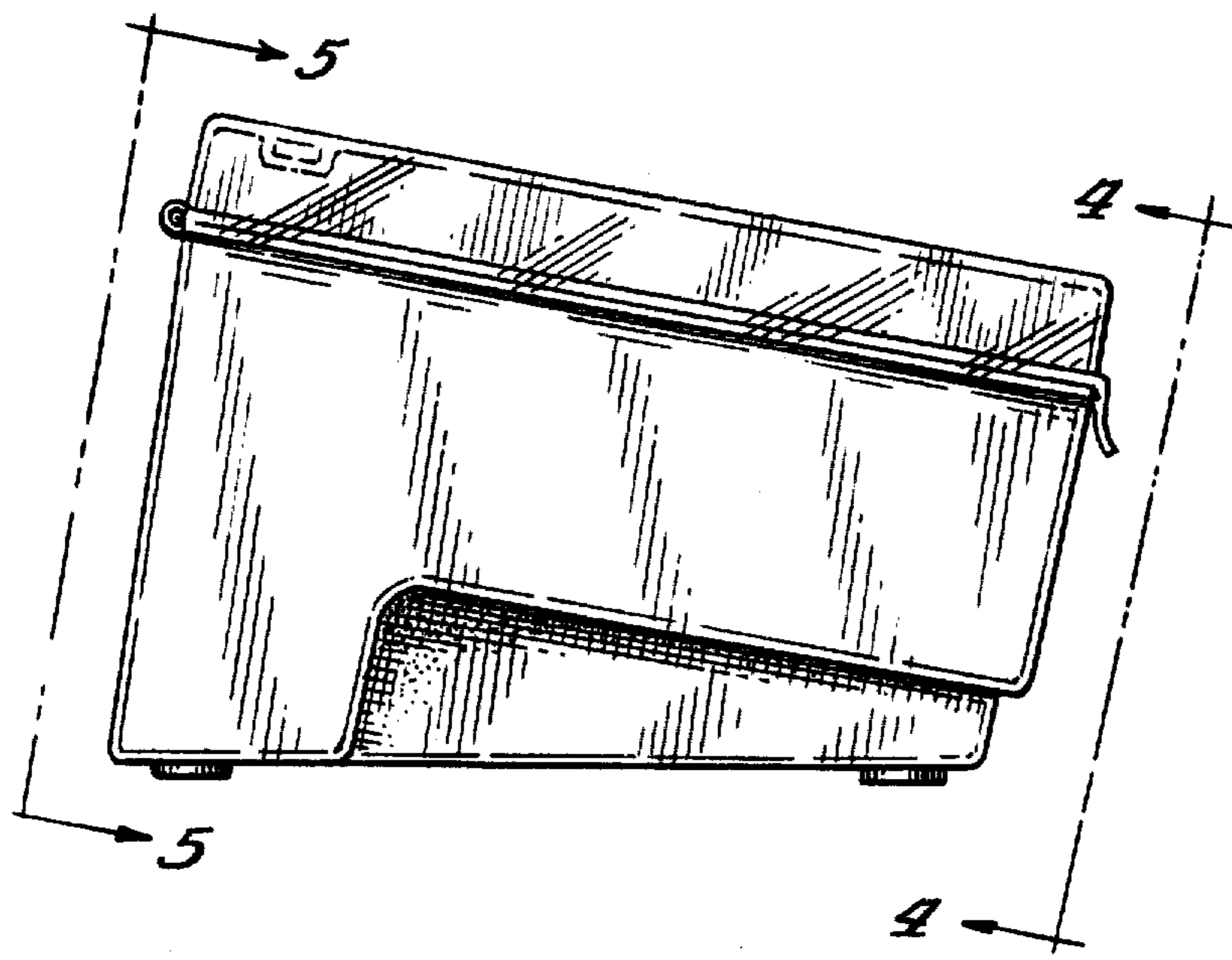


Fig. 4.

Fig. 5.

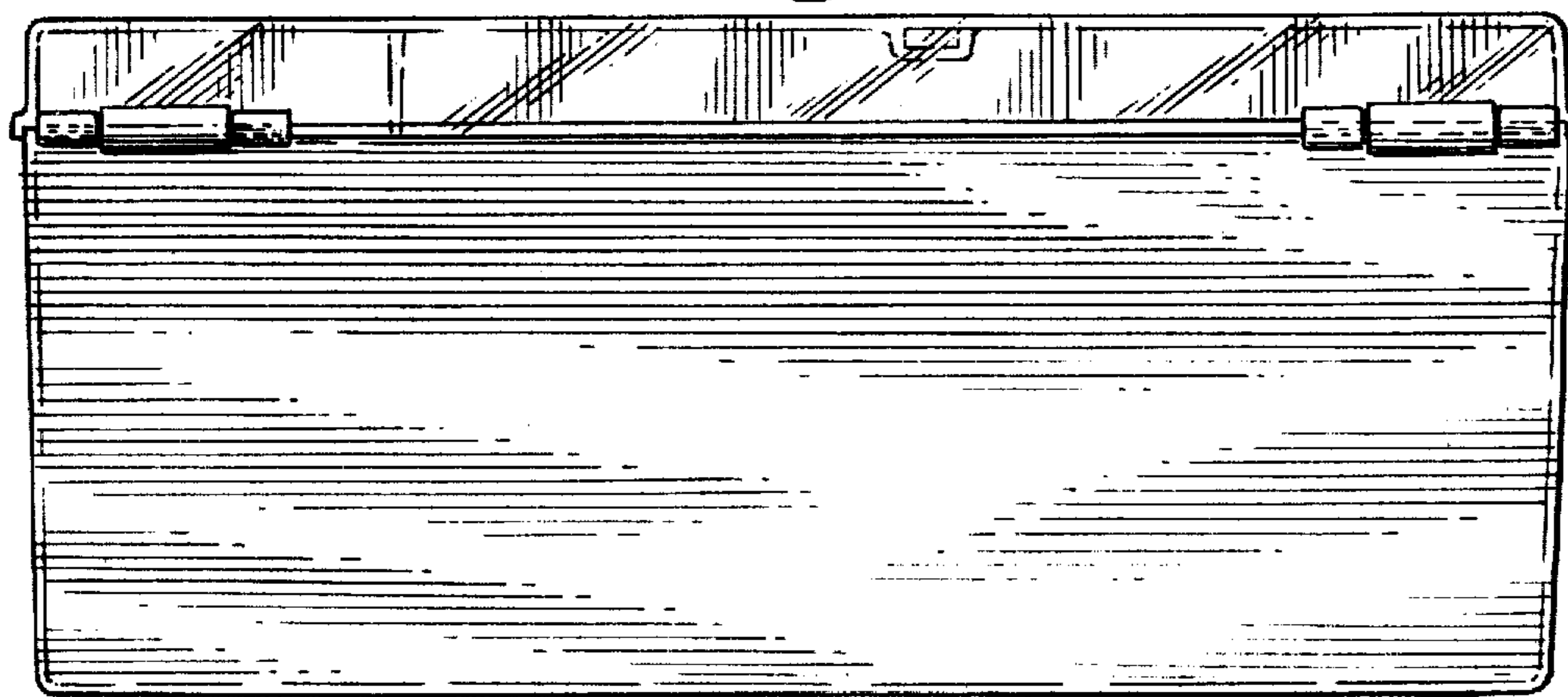


Fig. 6.

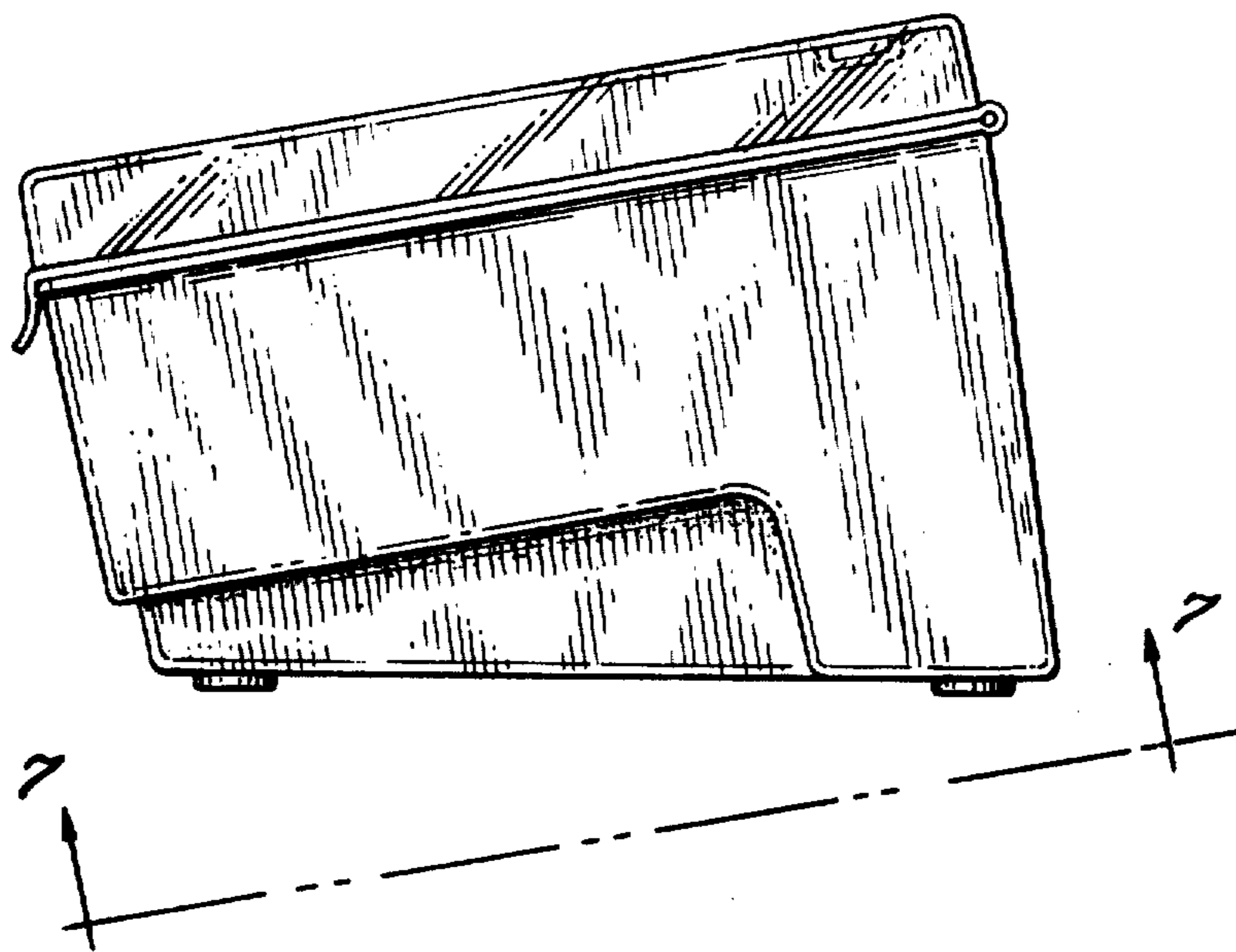


Fig. 7.

