

[54] LIGHTING SUPPORT ASSEMBLY

3,223,826 12/1965 Macaluso, Jr. 362/410 X

[76] Inventor: Darrell A. Schoenig, 432 Clover La., Ft. Collins, Colo. 80521

[**] Term: 14 Years

[21] Appl. No.: 303,850

[22] Filed: Sep. 21, 1981

[51] Int. Cl. D26-05

[52] U.S. Cl. D26/138

[58] Field of Search D26/24, 61-66, D26/138; 362/227, 235, 236, 249, 250, 396, 418, 419, 426, 427, 430, 431; 248/200; 211/196, 204, 205; 285/197, 207

[56] References Cited

U.S. PATENT DOCUMENTS

- 1,107,075 8/1914 Karges 211/196 X
- 2,418,067 3/1947 Carpenter, Sr. 211/196 X
- 3,076,557 2/1963 Husted et al. 211/196
- 3,116,027 12/1963 Kleppin 362/235 X

OTHER PUBLICATIONS

Grainger's Wholesale Net Price Motorbook #337, Winter 1973-1974, p. 299, Mercury Vapor Fixture Support (right).

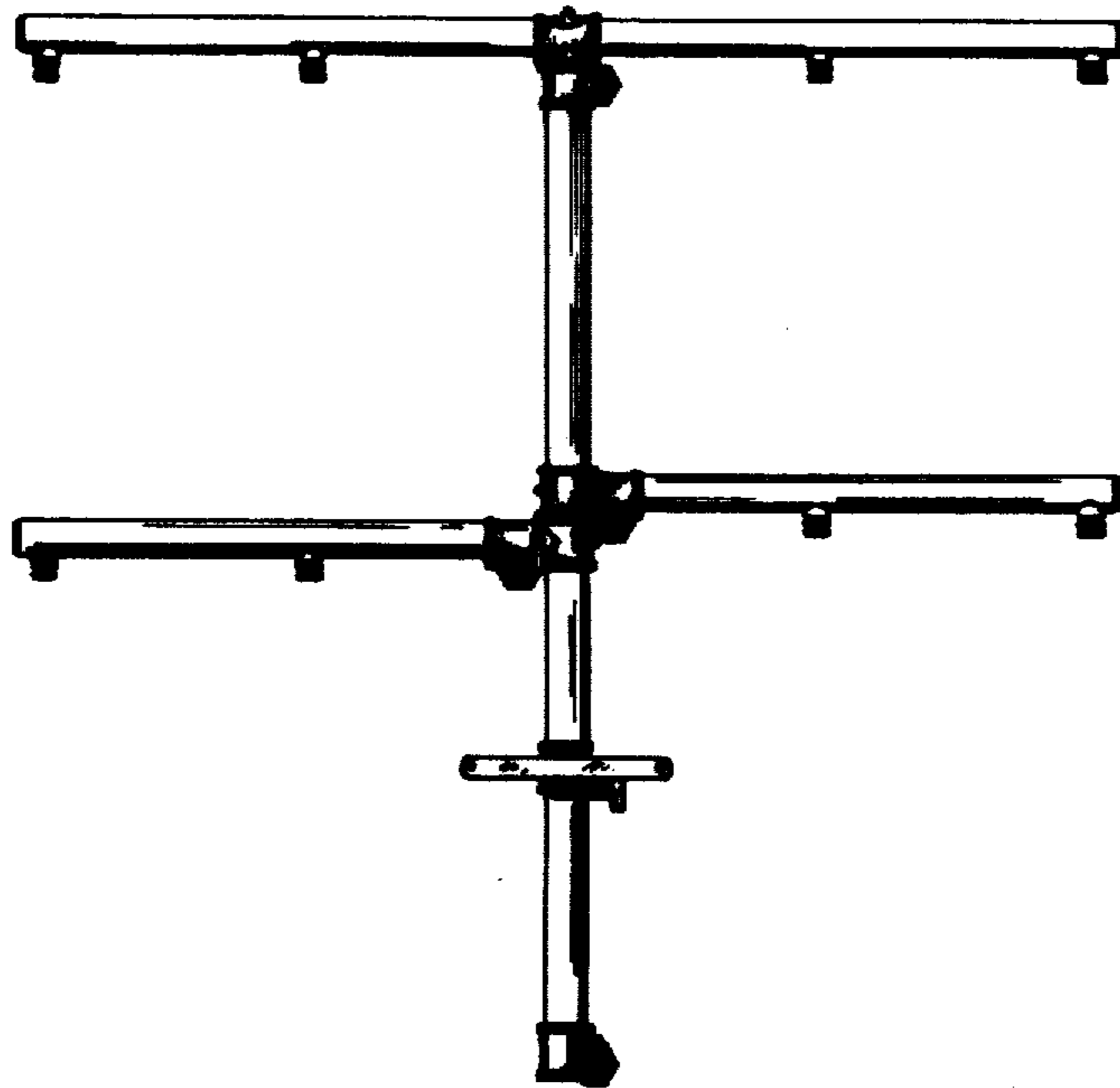
Primary Examiner—Susan J. Lucas
Attorney, Agent, or Firm—Hugh H. Drake

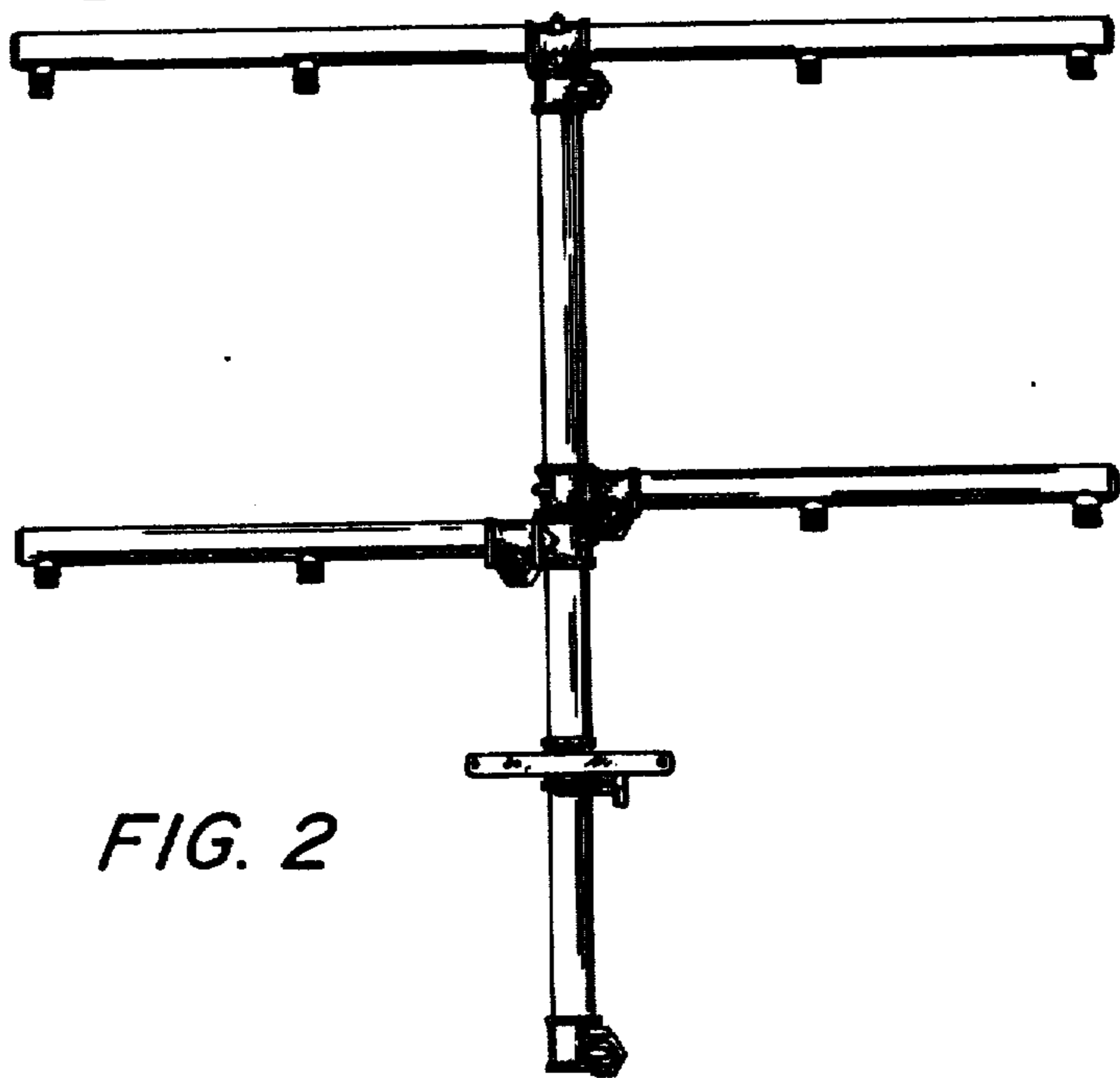
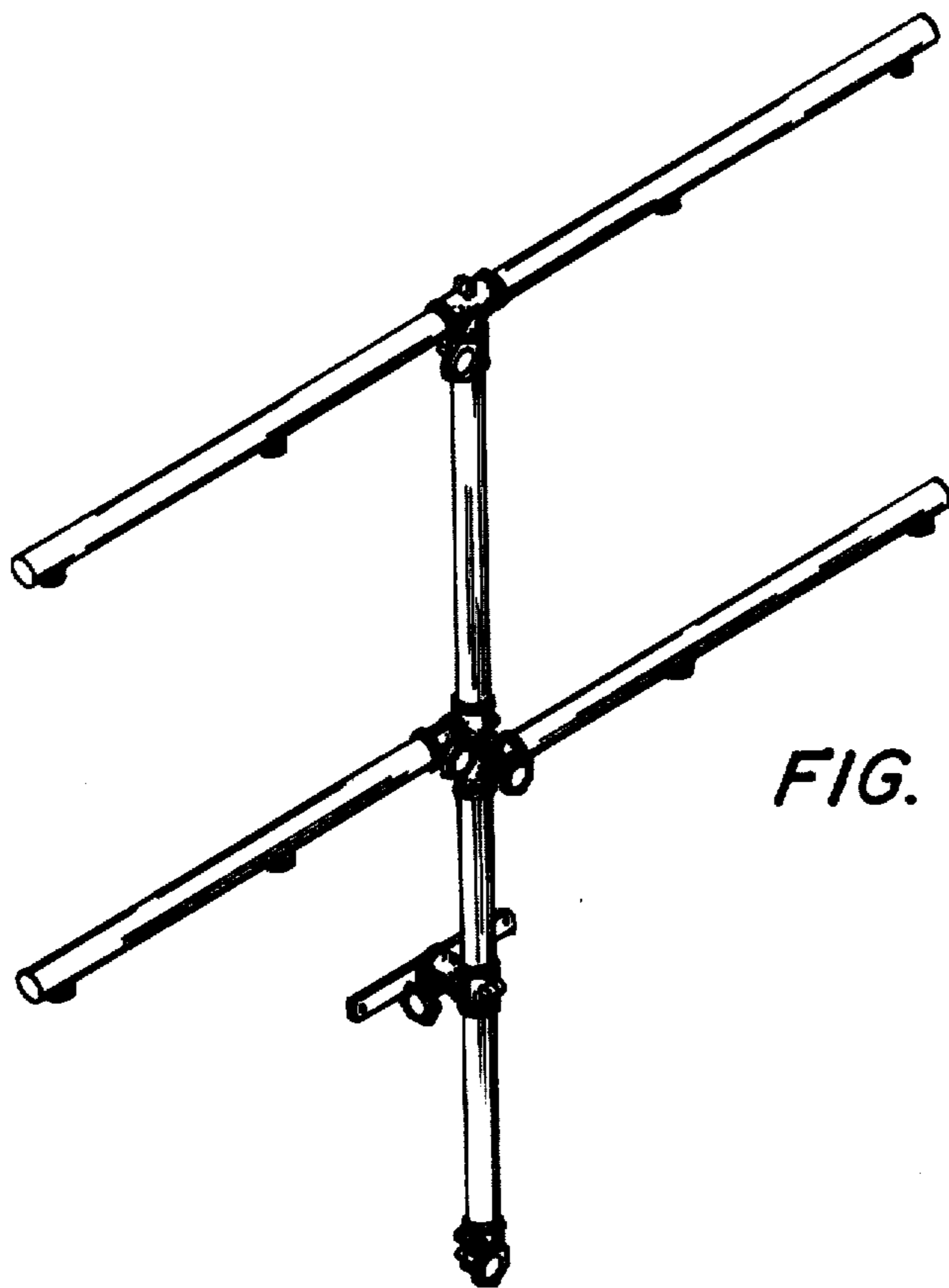
[57] CLAIM

The ornamental design for a lighting support assembly, as shown and described.

DESCRIPTION

FIG. 1 is an isometric view of a lighting support assembly;
 FIG. 2 is a rear elevational view thereof;
 FIG. 3 is a front elevational view thereof;
 FIG. 4 is one side elevational view thereof;
 FIG. 5 is the opposite side elevational view thereof;
 FIG. 6 is a top plan view thereof;
 FIG. 7 is a bottom plan view thereof; and
 FIG. 8 is an isometric view thereof on an enlarged scale.





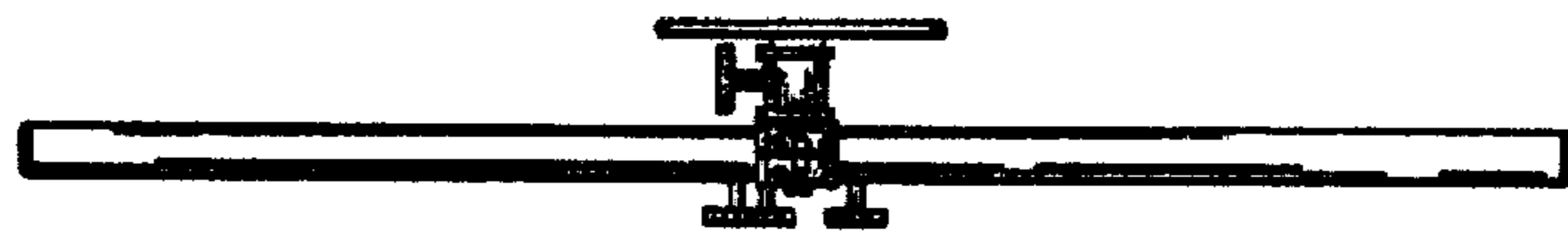


FIG. 6

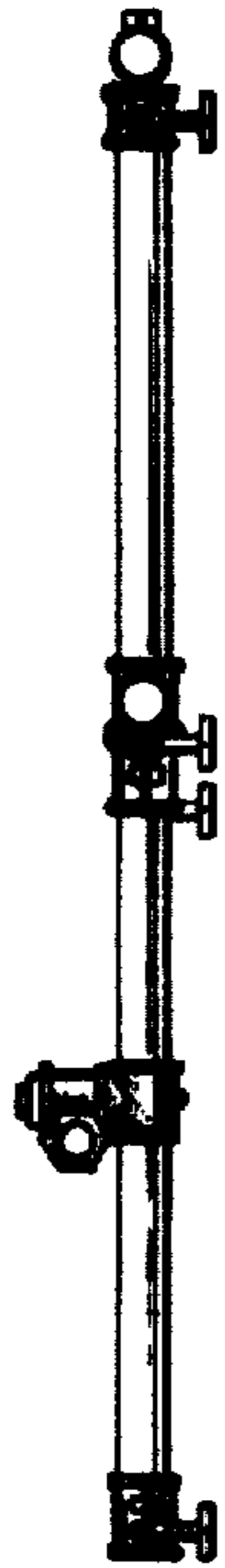


FIG. 4

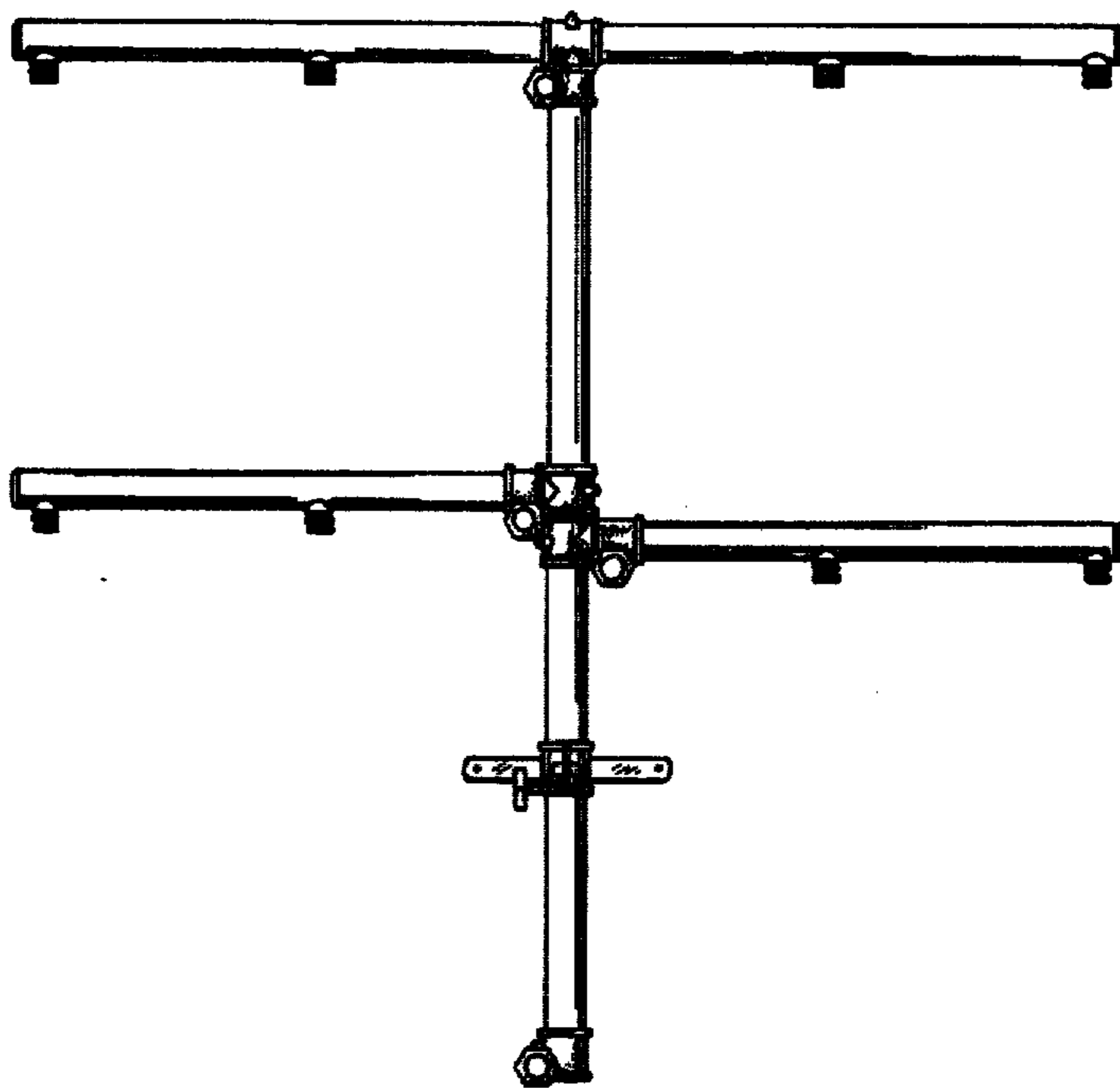


FIG. 3

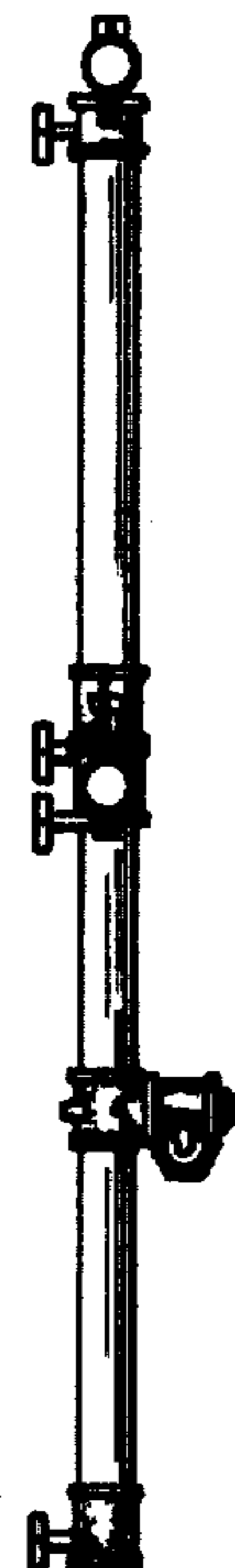


FIG. 5

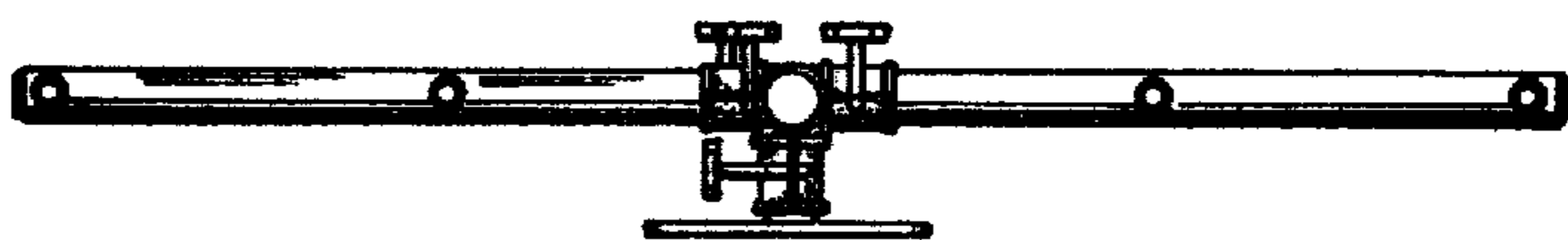


FIG. 7

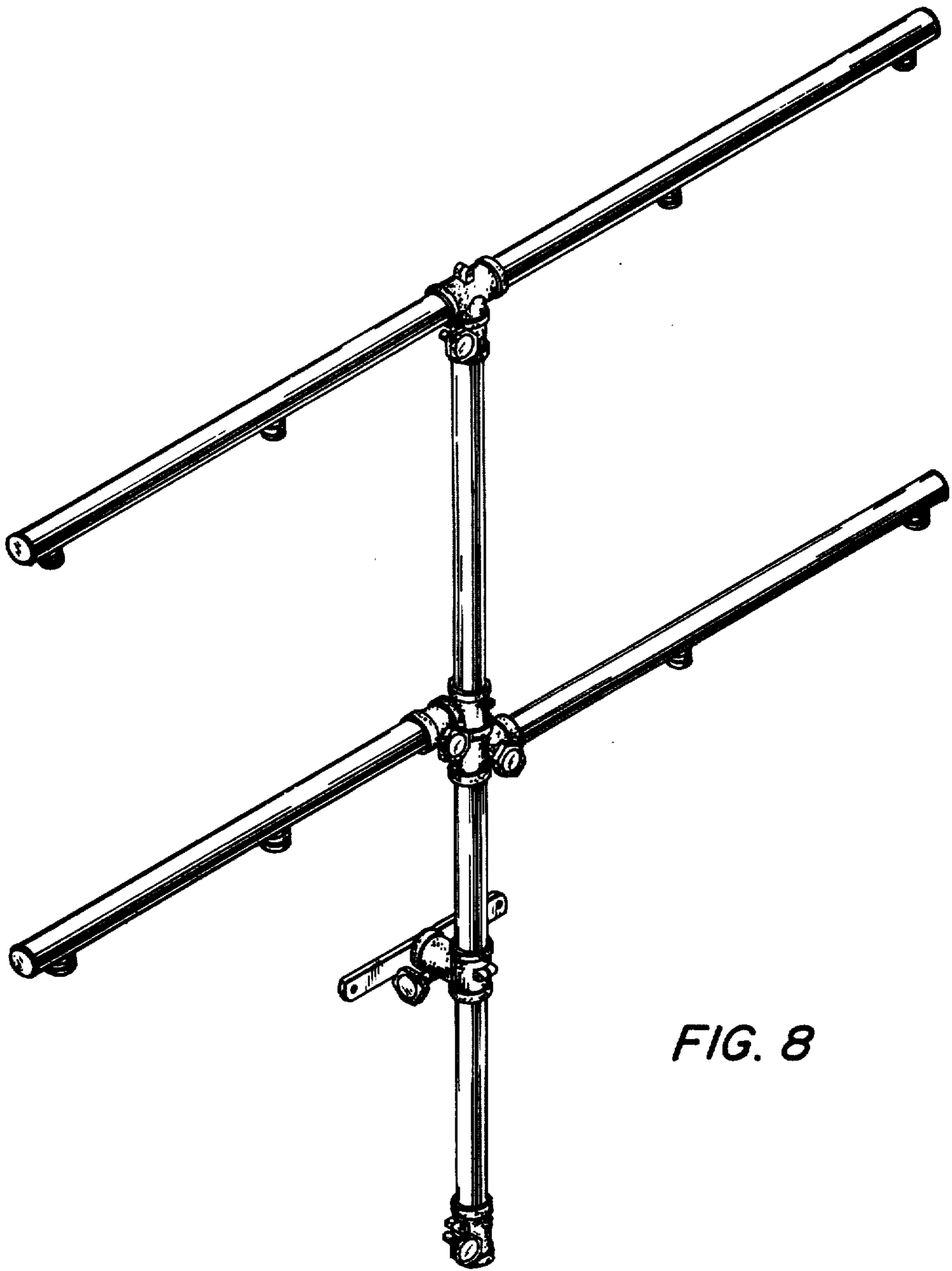


FIG. 8