

[54] LANTERN

[76] Inventor: John W. Caldwell, 1829 Warwick Rd., San Marino, Calif. 91108

[**] Term: 14 Years

[21] Appl. No.: 127,879

[22] Filed: Mar. 6, 1980

[51] Int. Cl. D26—05

[52] U.S. Cl. D26/87

[58] Field of Search D26/24, 72, 80-92,
D26/67, 68; 362/311, 362, 363, 432, 227, 404,
235

[56] References Cited

U.S. PATENT DOCUMENTS

D. 62,887 8/1923 Dahl D26/87

OTHER PUBLICATIONS

Lightcraft of California Catalog #18, ©1971, p. 47,
Lighting Fixture Globe #485-30-64.

Lightcraft of California Catalog #18, ©1971, p. 94,
Wall Lamp #444-20-99.

Primary Examiner—Susan J. Lucas

Attorney, Agent, or Firm—Martin L. Faigus; John W.
Kane, Jr.

[57] CLAIM

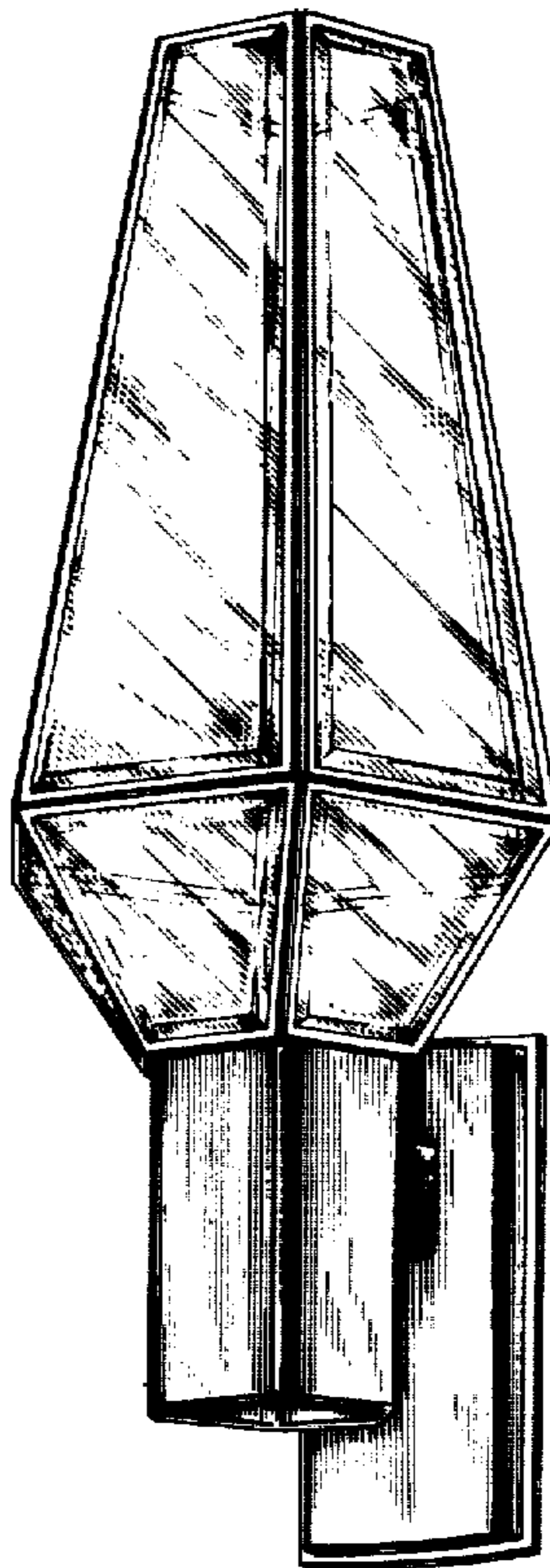
The ornamental design for a lantern, as shown and
described.

DESCRIPTION

FIG. 1 is a perspective view of the lantern showing my
new design,

FIG. 2 is a side elevational view thereof on an enlarged
scale,

FIG. 3 is a plan view thereof on an enlarged scale, and
FIG. 4 is a bottom view thereof on an enlarged scale.



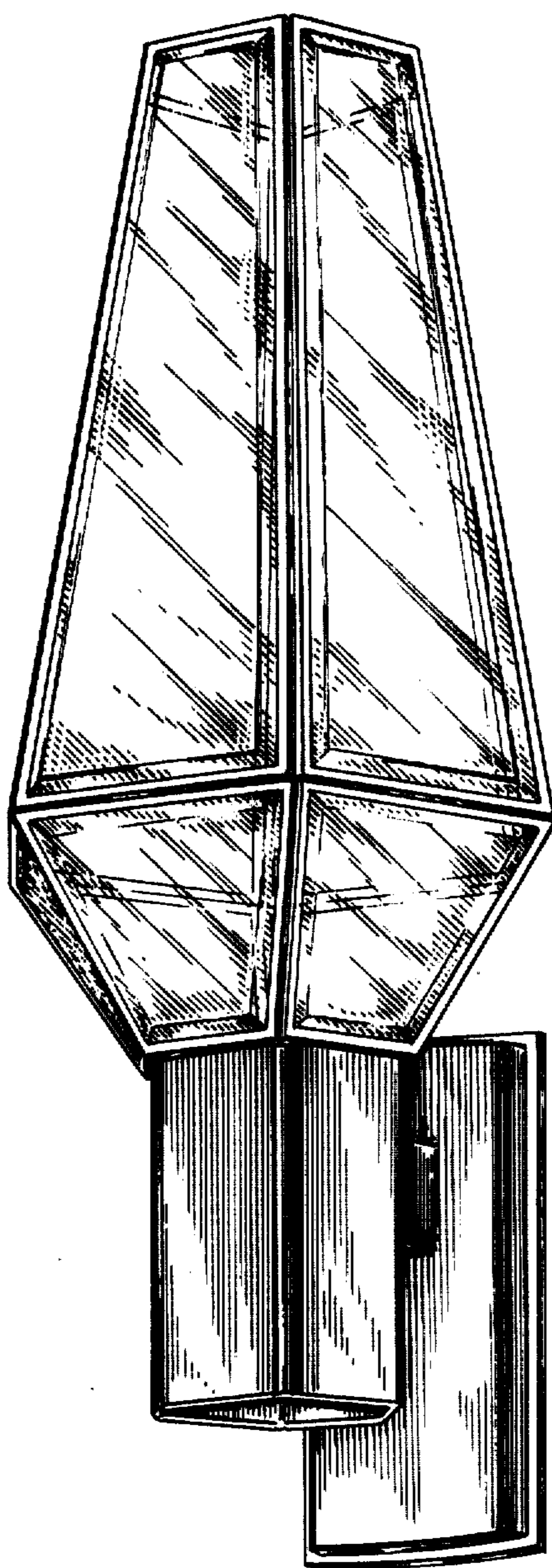


Fig. 1

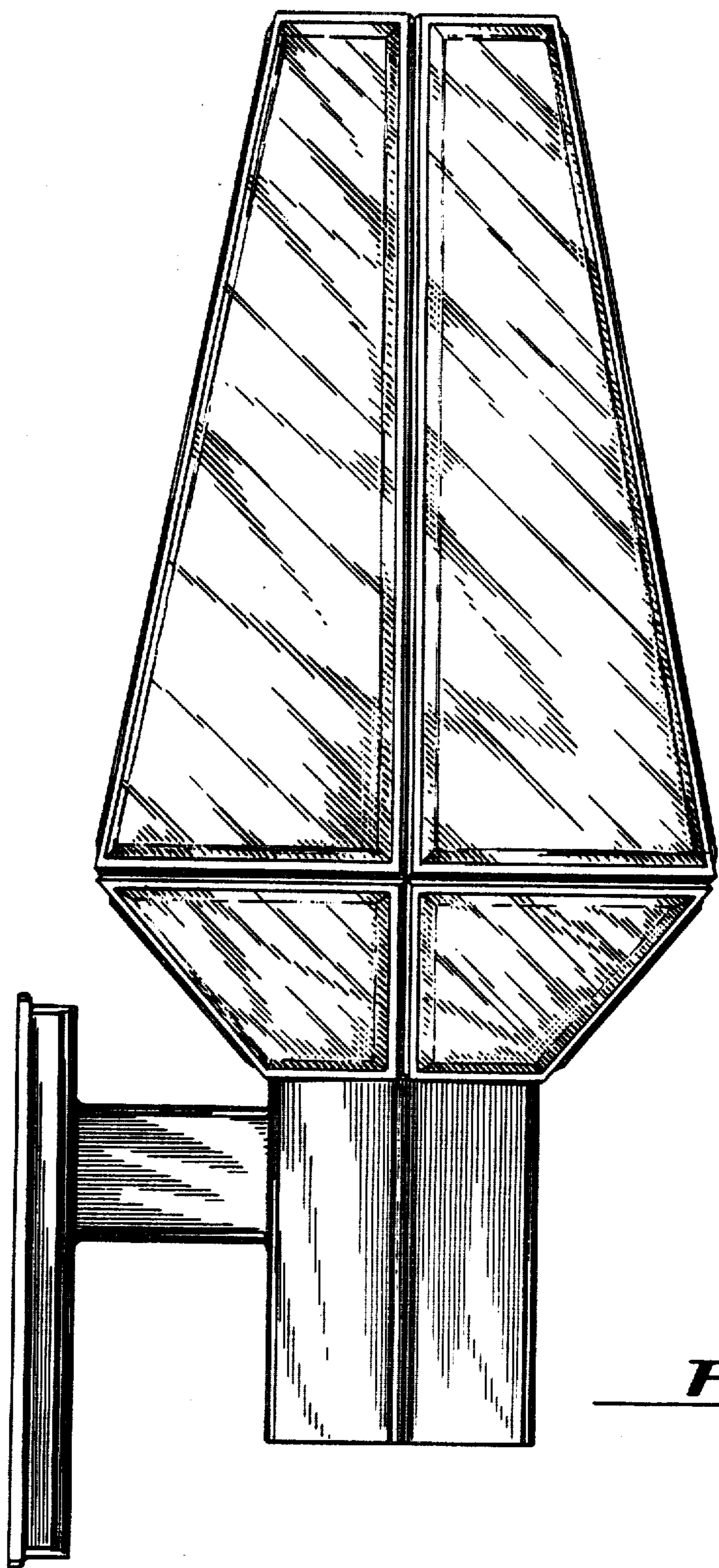


Fig. 2

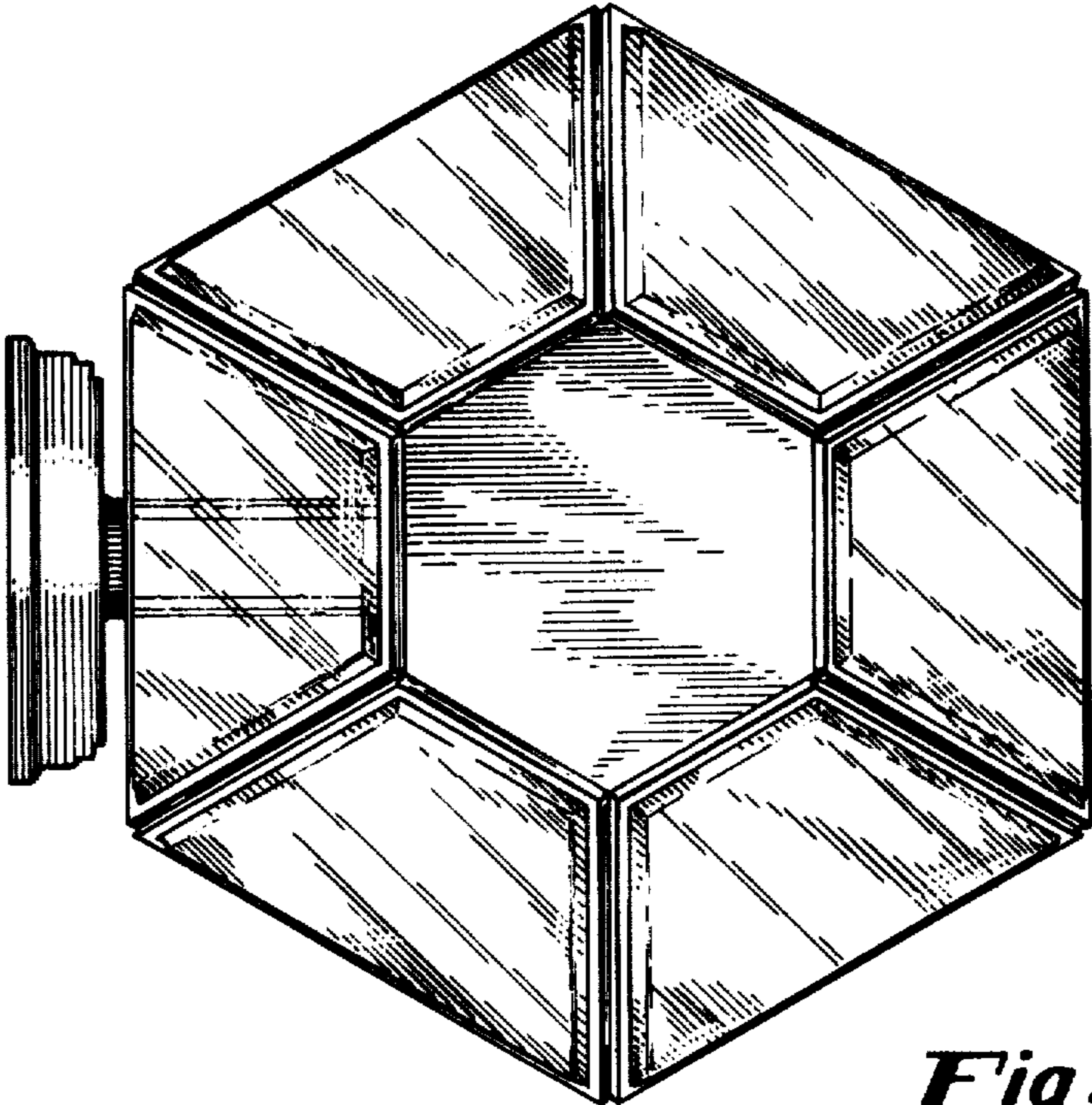


Fig. 3

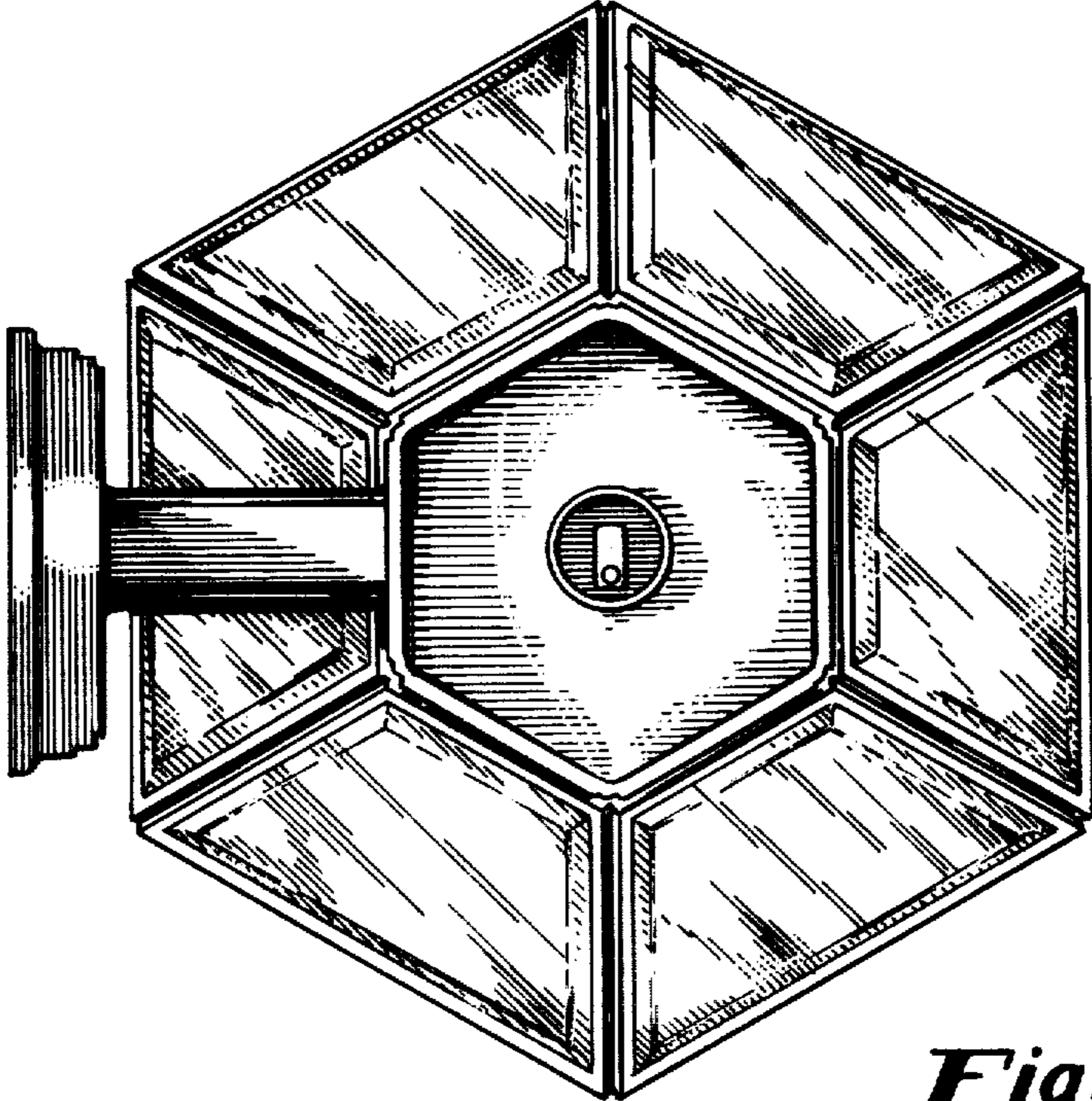


Fig. 4