

[54] SNOW SKIING BOOT DRYING DEVICE

[76] Inventors: Charles A. Warren, Rte. 2, Box 63; Clyde Armstrong, Rte. 1, both of Denver, N.C. 28037

[**] Term: 14 Years

[21] Appl. No.: 308,404

[22] Filed: Oct. 5, 1981

[51] Int. Cl. D23-03

[52] U.S. Cl. D23/77

[58] Field of Search D23/77; 34/104, 105, 34/106

[56] References Cited

U.S. PATENT DOCUMENTS

D. 224,309	7/1972	Wolff	D23/77
1,688,793	10/1928	Schrenkeisen	34/104
4,136,464	1/1979	Hay	34/104
4,200,993	5/1980	Blanc et al.	34/104

FOREIGN PATENT DOCUMENTS

55-860 5/1979 Japan 34/104

Primary Examiner—Catherine E. Kemper
Attorney, Agent, or Firm—Richards, Shefte & Pinckney

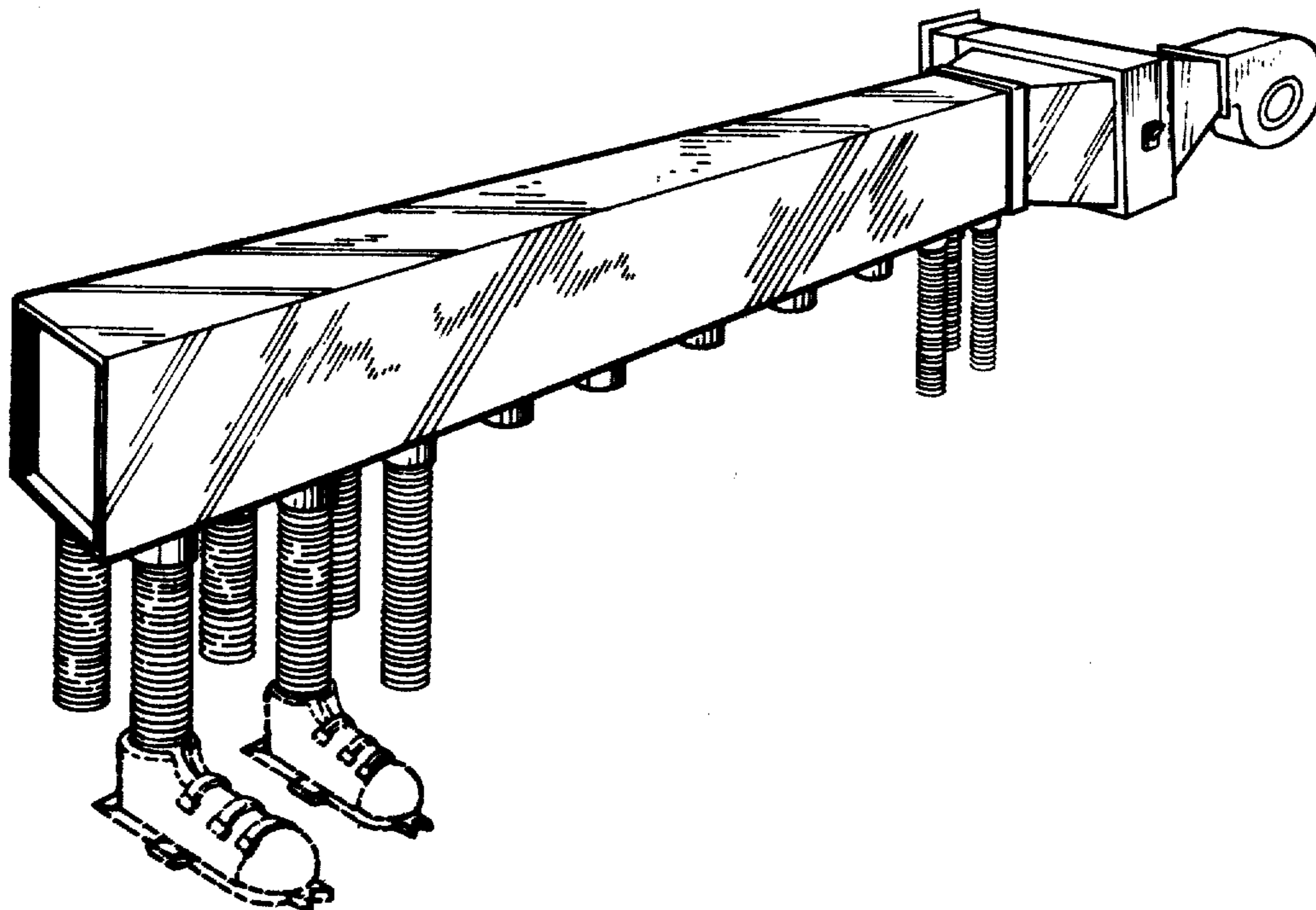
[57] CLAIM

The ornamental design for a snow skiing boot drying device, as shown and described.

DESCRIPTION

FIG. 1 is a perspective view of a snow skiing boot drying device, showing my new design;
 FIG. 2 is a bottom plan view thereof;
 FIG. 3 is a right side elevational view thereof;
 FIG. 4 is a top plan view thereof;
 FIG. 5 is a left side elevational view thereof;
 FIG. 6 is a right end elevational view thereof;
 FIG. 7 is a left end elevational view thereof.

The ski boots shown in broken lines in FIG. 1 are shown for illustrative purposes only and do not form a part of the claimed design. In FIGS. 1, 3 and 5 the drying hoses are understood to repeat uniformly and continuously across the entire indicated area.



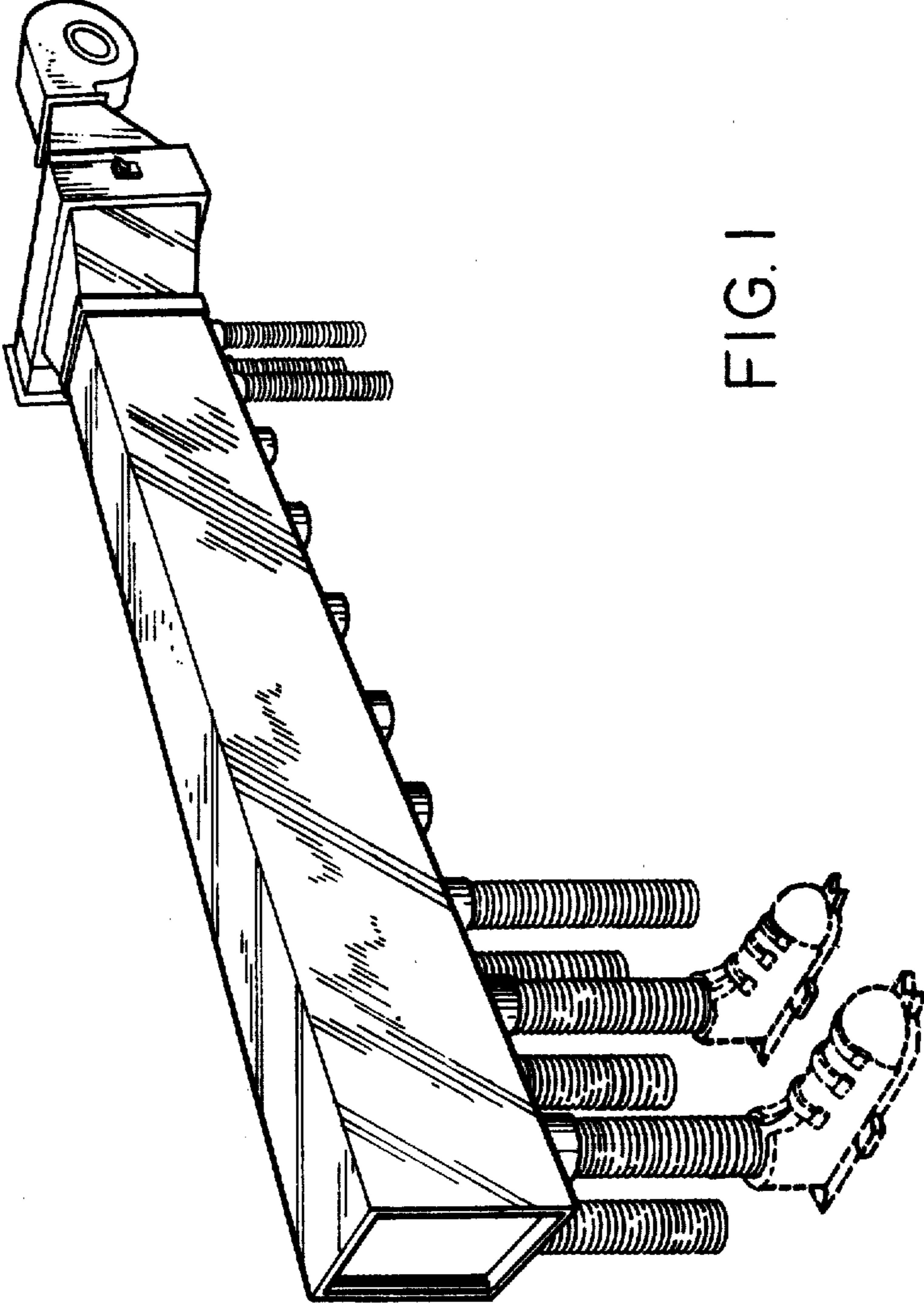
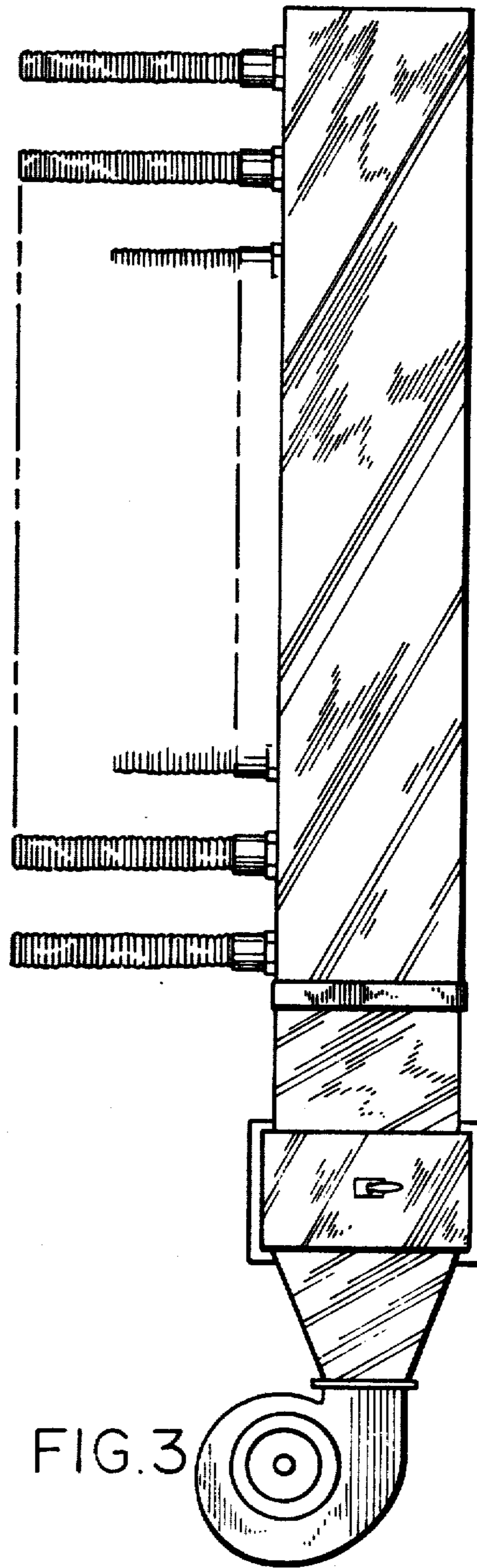
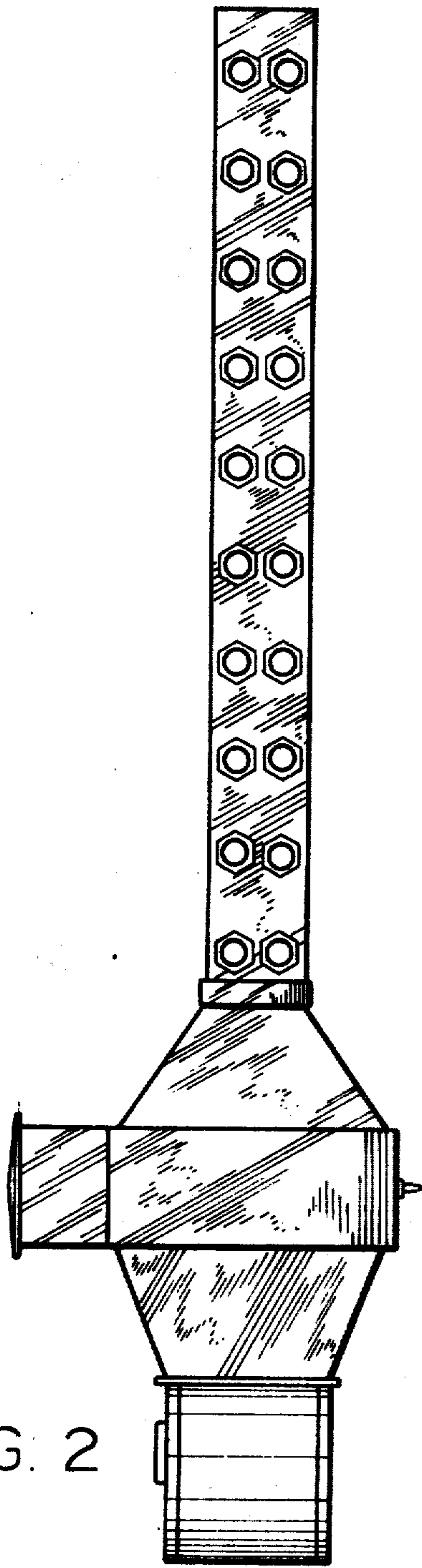


FIG. 1



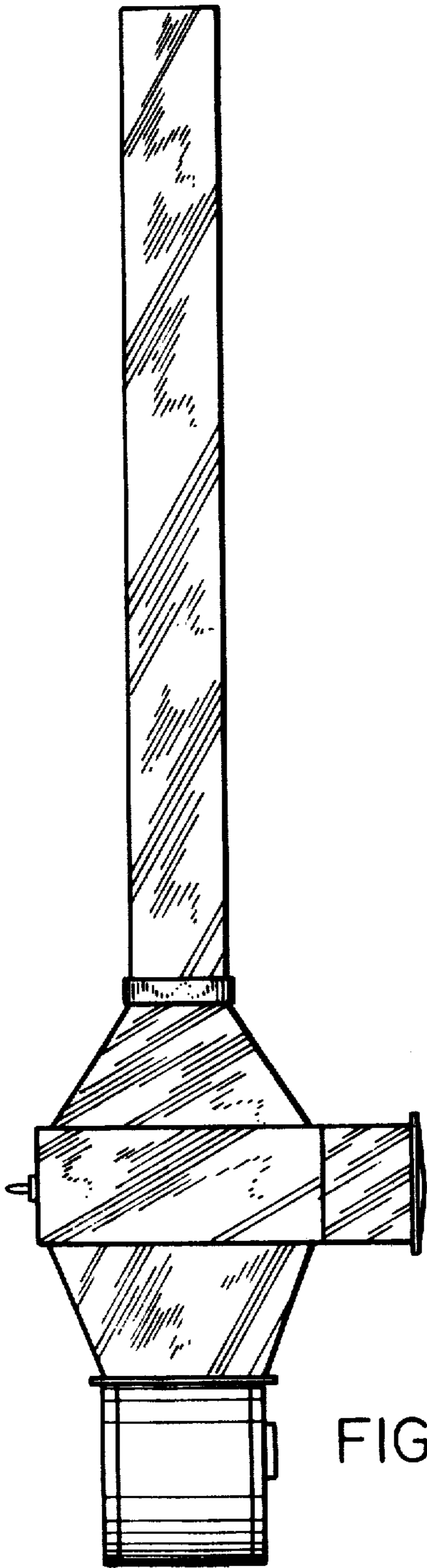


FIG. 4

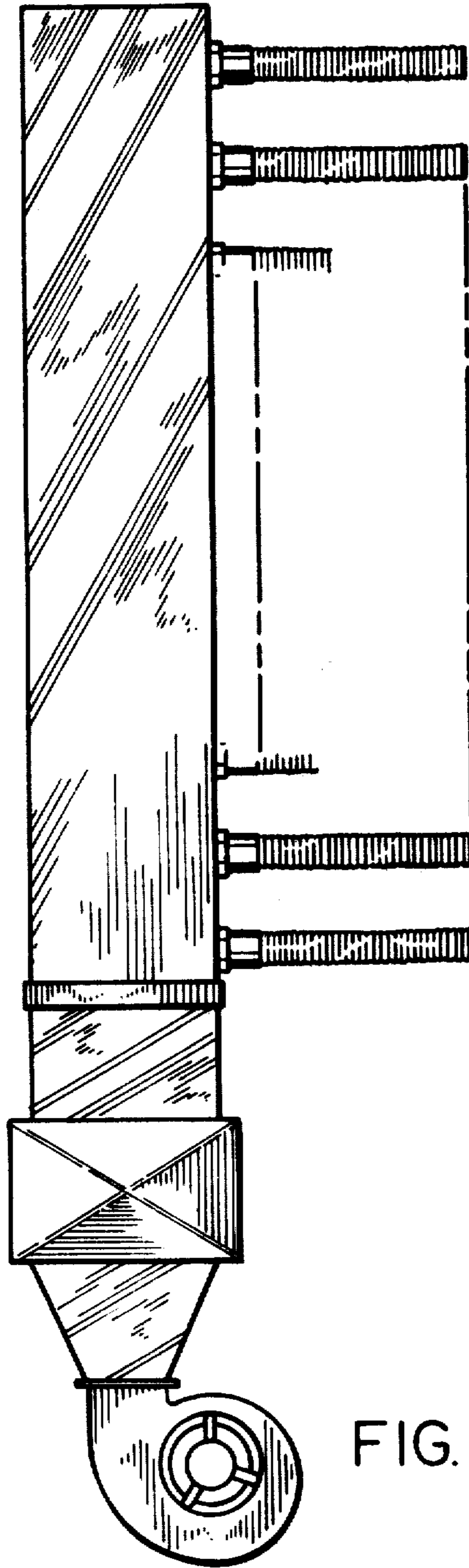


FIG. 5

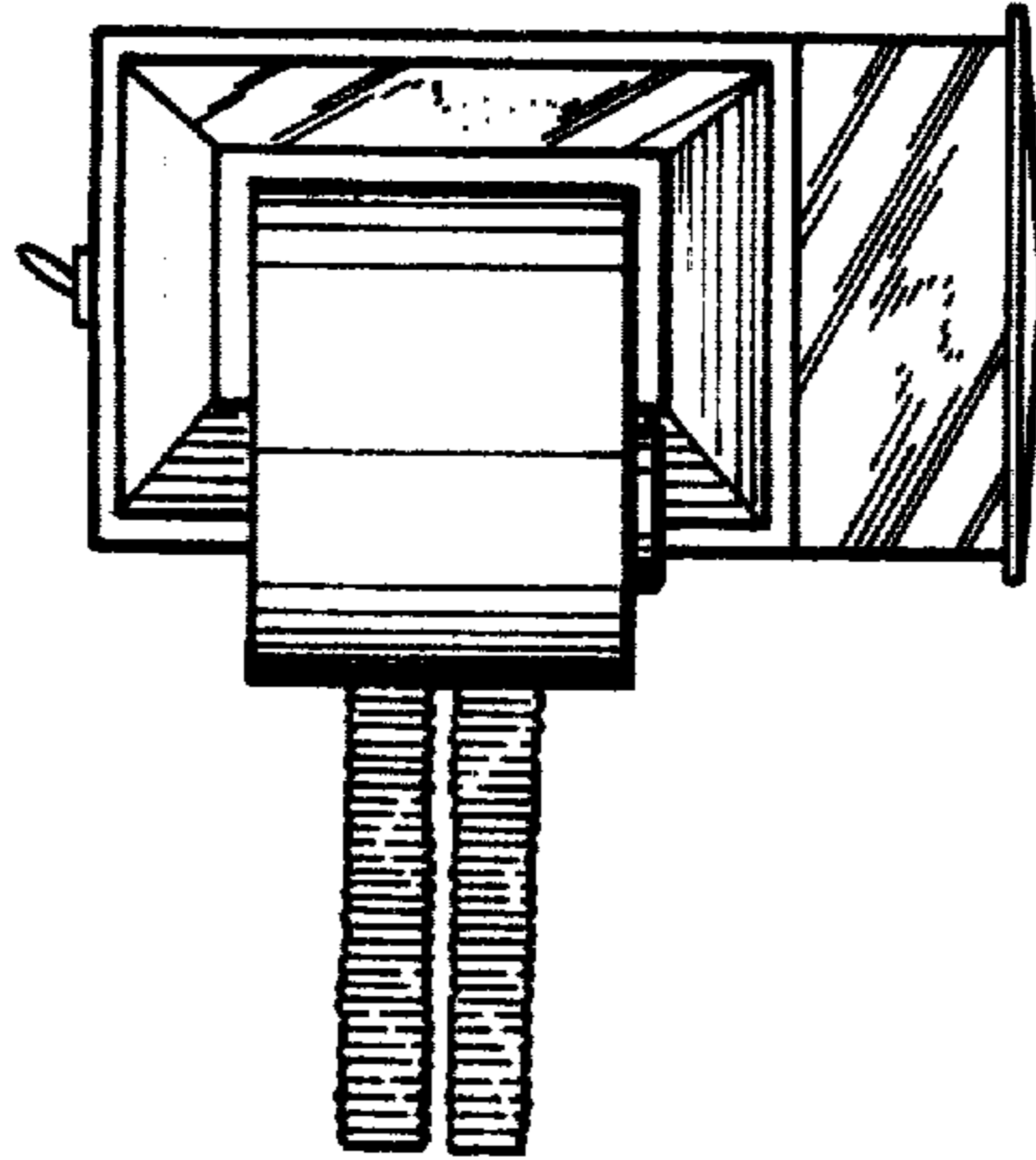


FIG. 6

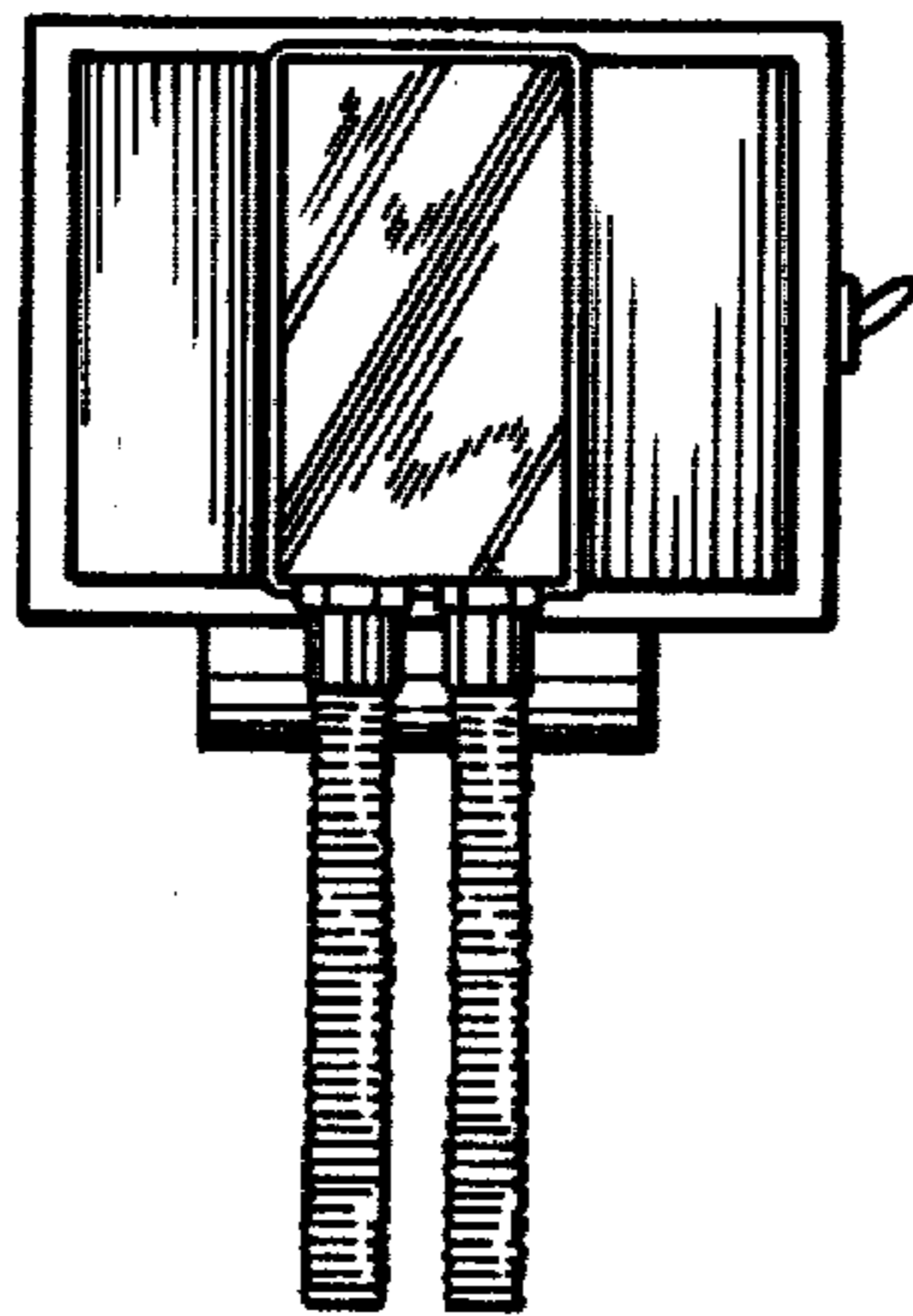


FIG. 7