

[54] GAME PLAYING PIECE

[76] Inventors: Leonard H. Israel, 817 20th St., Apt. 103-S, Santa Monica, Calif. 90403; Perry J. Grant, 727 Ocampo Dr., Pacific Palisades, Calif. 90272

[**] Term: 14 Years

[21] Appl. No.: 317,149

[22] Filed: Nov. 2, 1981

Related U.S. Application Data

[62] Division of Ser. No. 122,268, Feb. 19, 1980.

[51] Int. Cl. D21-01

[52] U.S. Cl. D21/51

[58] Field of Search D21/51; 273/288, 294, 273/282, 273

[56] References Cited

U.S. PATENT DOCUMENTS

2,659,163 11/1953 Albee 273/273
3,583,706 6/1971 Glass et al. 272/273

Primary Examiner—Melvin B. Feifer
Attorney, Agent, or Firm—Ralph B. Pastoriza

[57] CLAIM

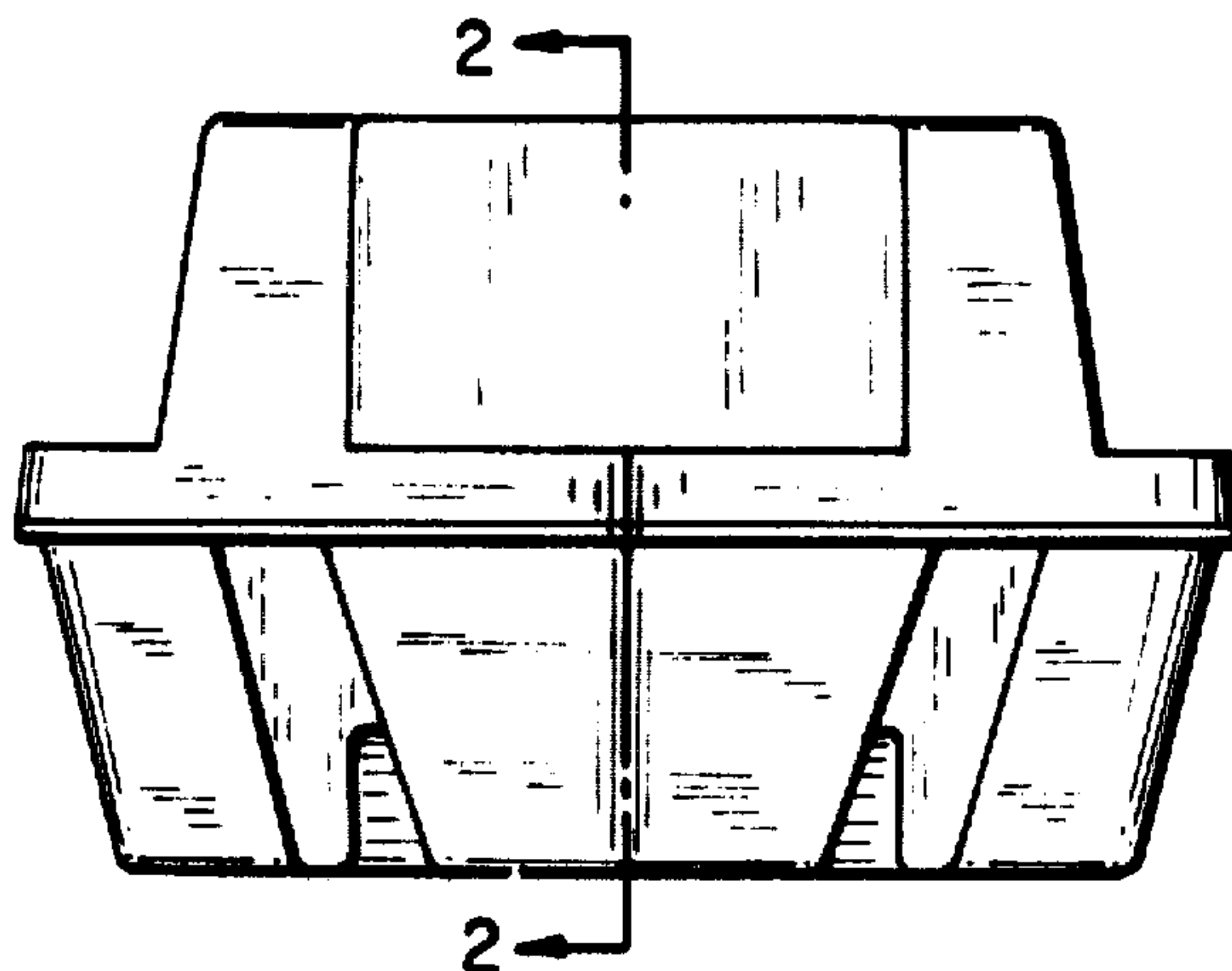
The ornamental design for a game playing piece, substantially as shown.

DESCRIPTION

FIG. 1 is a side elevational view of a game playing piece showing our new design;

FIG. 2 is a cross section taken along the section line 2-2 of FIG. 1;

FIG. 3 is a top plan view of the game playing piece; and, FIG. 4 is a bottom plan view of the game playing piece.



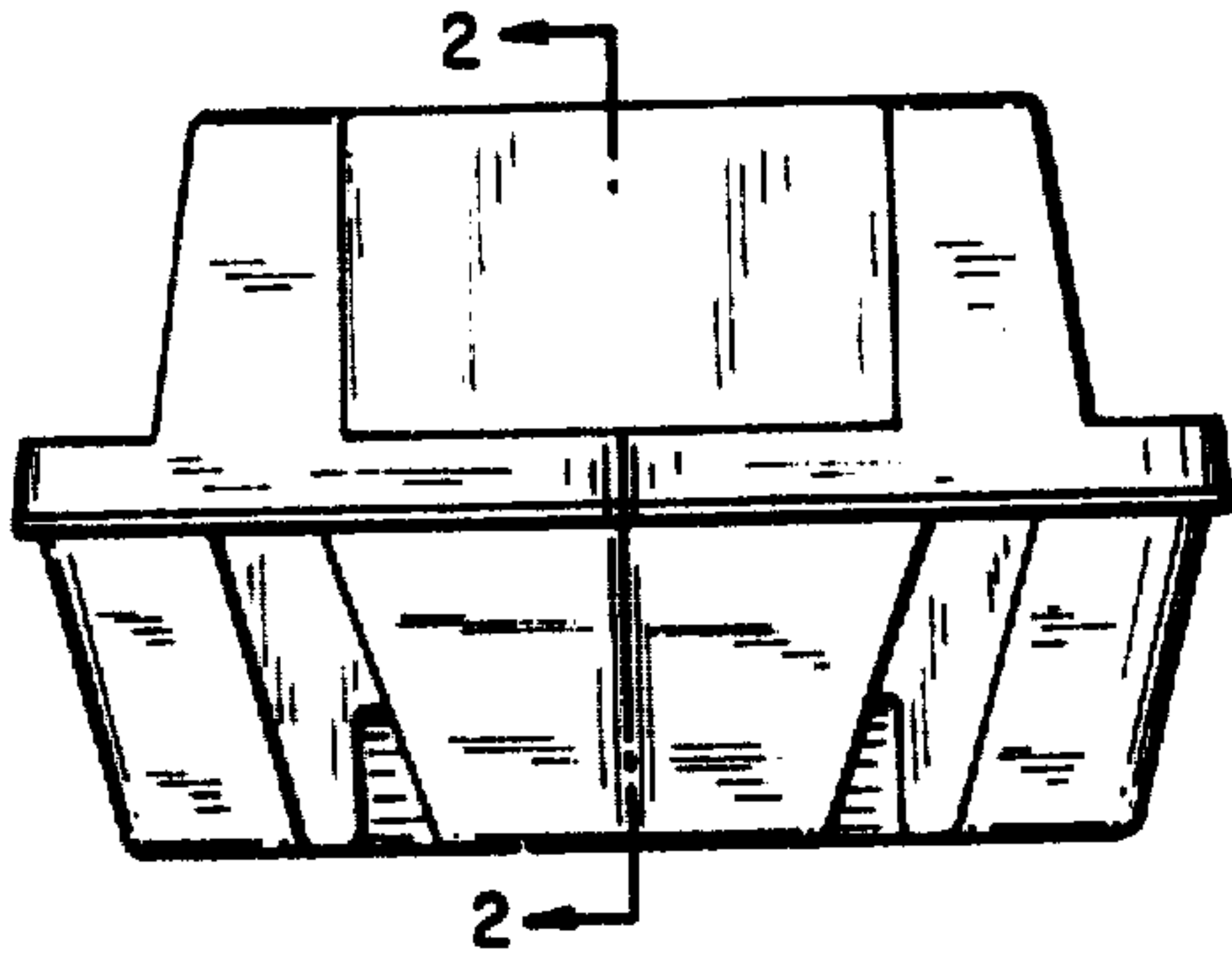


FIG. 1

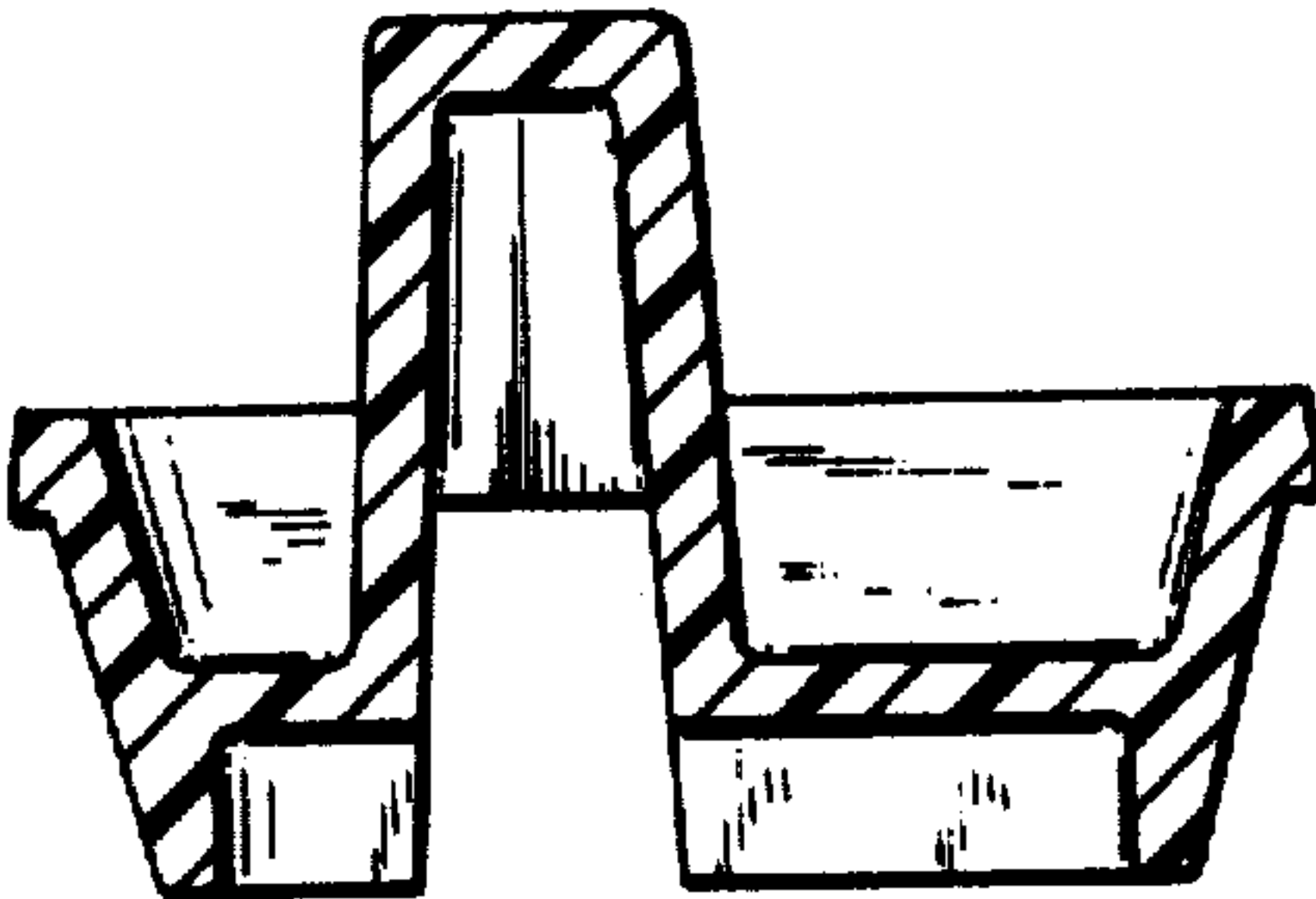


FIG. 2

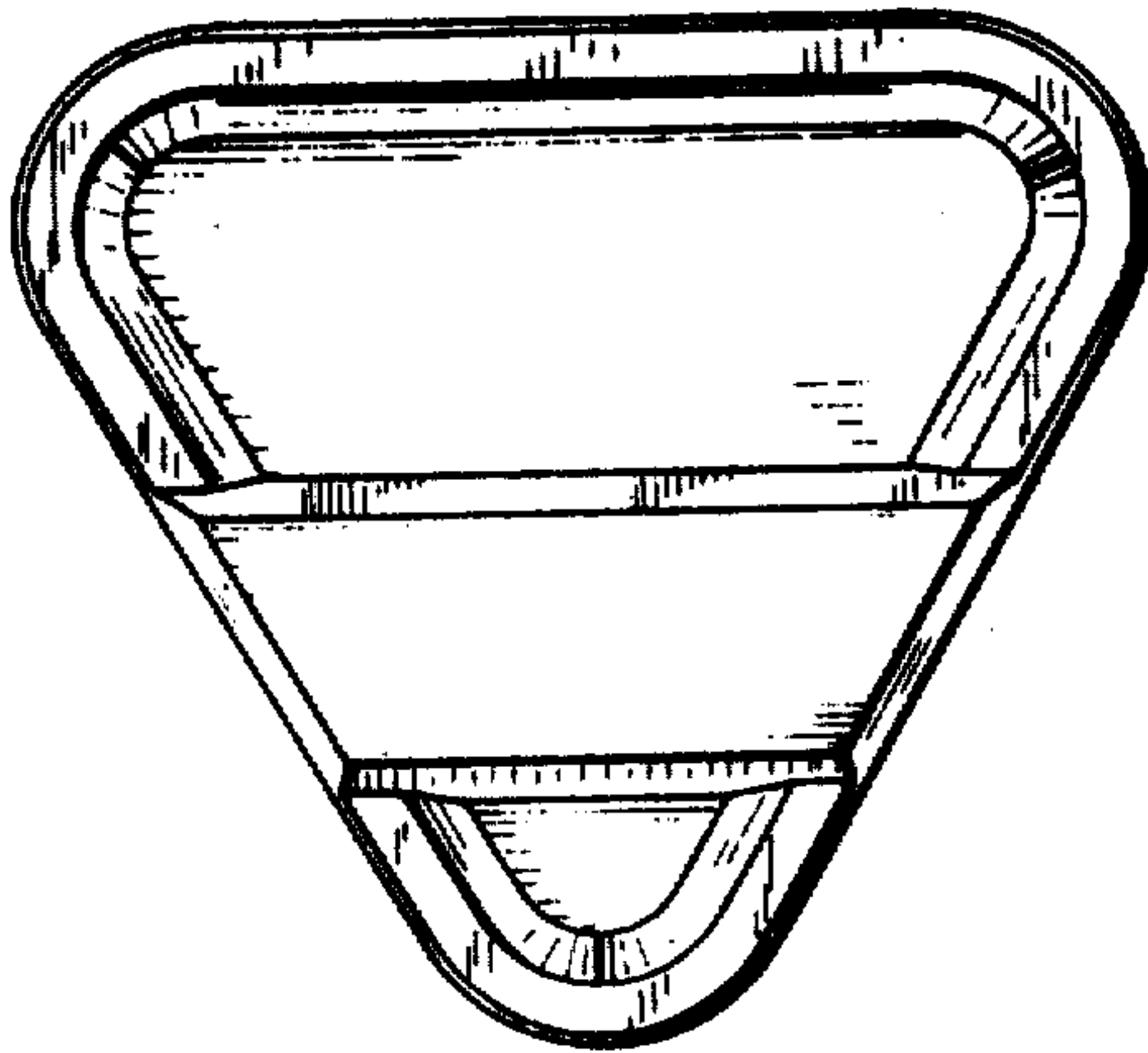


FIG. 3

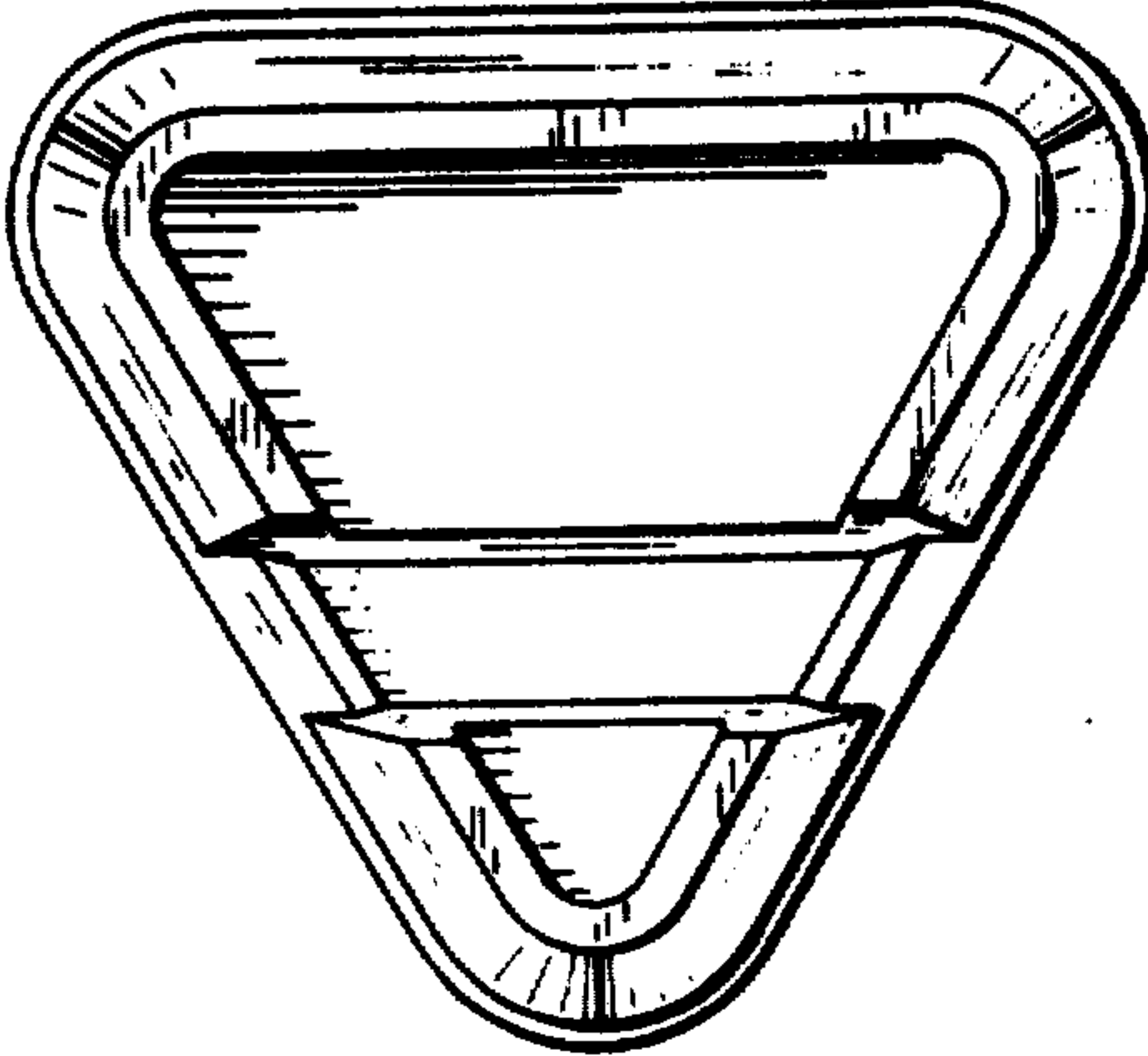


FIG. 4