

- [54] **EMBOSSING TOOL**
- [76] **Inventor: Dane Pedersen, Alameda, Calif.**
- [**] **Term: 14 Years**
- [21] **Appl. No.: 407,599**
- [22] **Filed: Aug. 12, 1982**
- [30] **Foreign Application Priority Data**
Mar. 11, 1982 [GB] United Kingdom 1 005 546
- [51] **Int. Cl. D15-09**
- [52] **U.S. Cl. D18/19**
- [58] **Field of Search D18/13 & 15,**
D18/18, 19, 22, 99; D19/68; 101/288;
400/134.4-134.6; 156/384, DIG. 1, DIG. 2
- [56] **References Cited**
U.S. PATENT DOCUMENTS
D. 197,817 3/1964 Avery D18/19

- D. 202,309 9/1965 Craig D18/19
- D. 213,339 2/1969 Lee D18/19
- D. 215,500 9/1969 Pauls D18/19
- D. 220,797 5/1971 Penaluna D18/19
- D. 224,453 7/1972 Van Arnam D18/19

Primary Examiner—Louis S. Zarfes
Attorney, Agent, or Firm—Maky, Renner, Otto & Boisselle

[57] **CLAIM**

The ornamental design for an embossing tool, substantially as shown and described.

DESCRIPTION

FIG. 1 is a perspective view from the front, one side and above of an embossing tool showing my new design; FIG. 2 is a perspective view from the rear, below and the other side thereof; FIG. 3 is a side elevation showing said other side; and FIG. 4 is a front elevation.

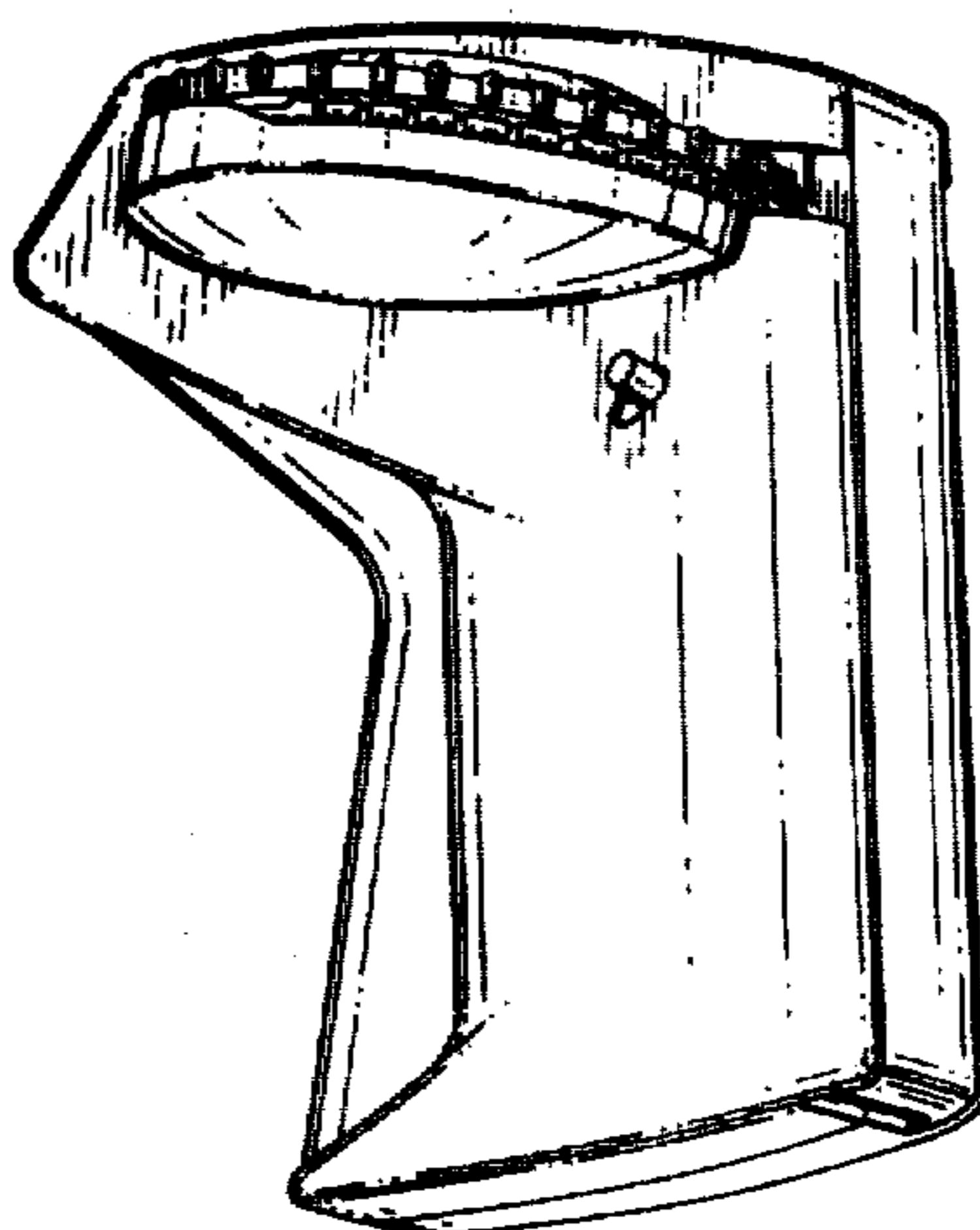
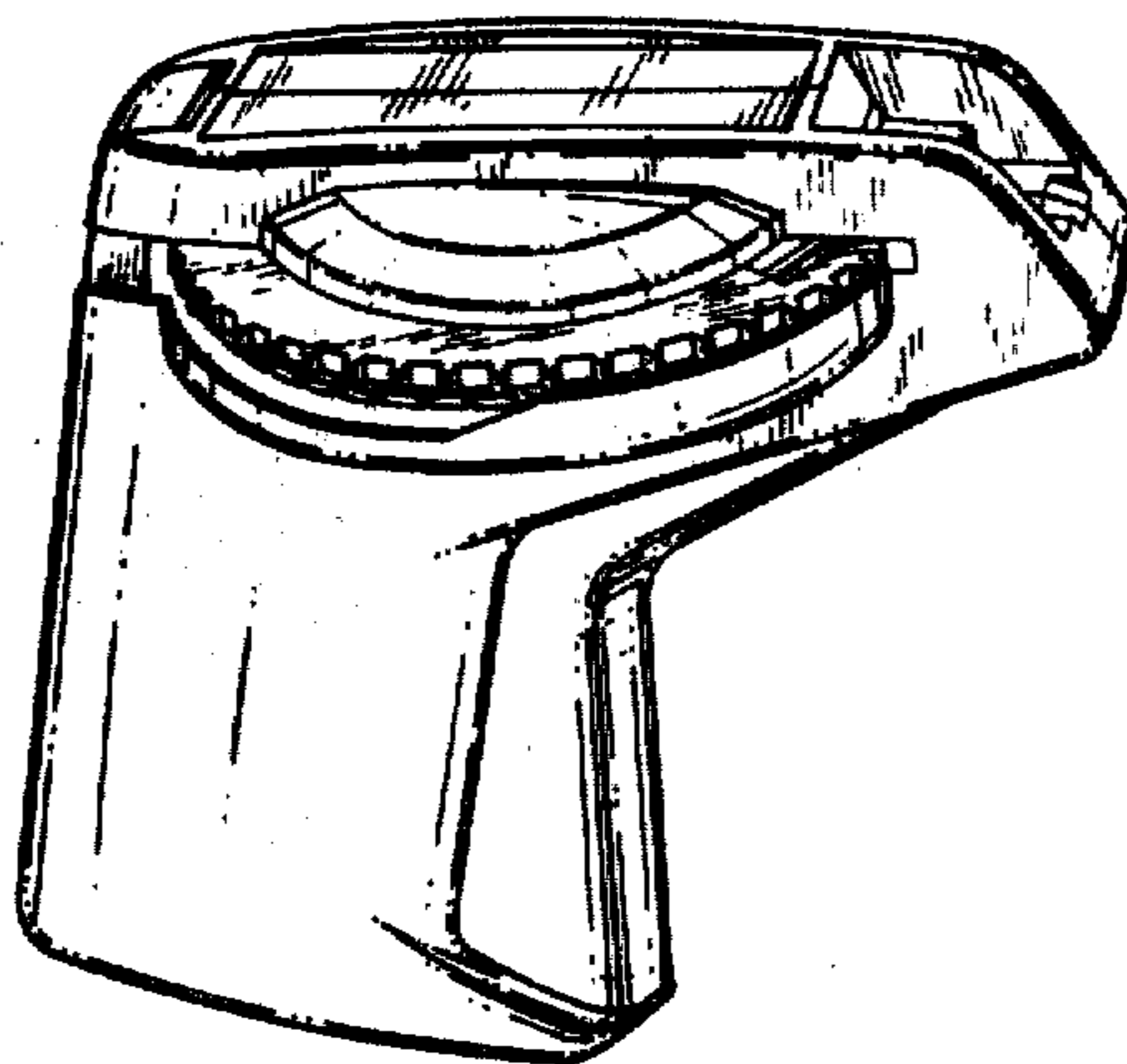


FIG. 1.

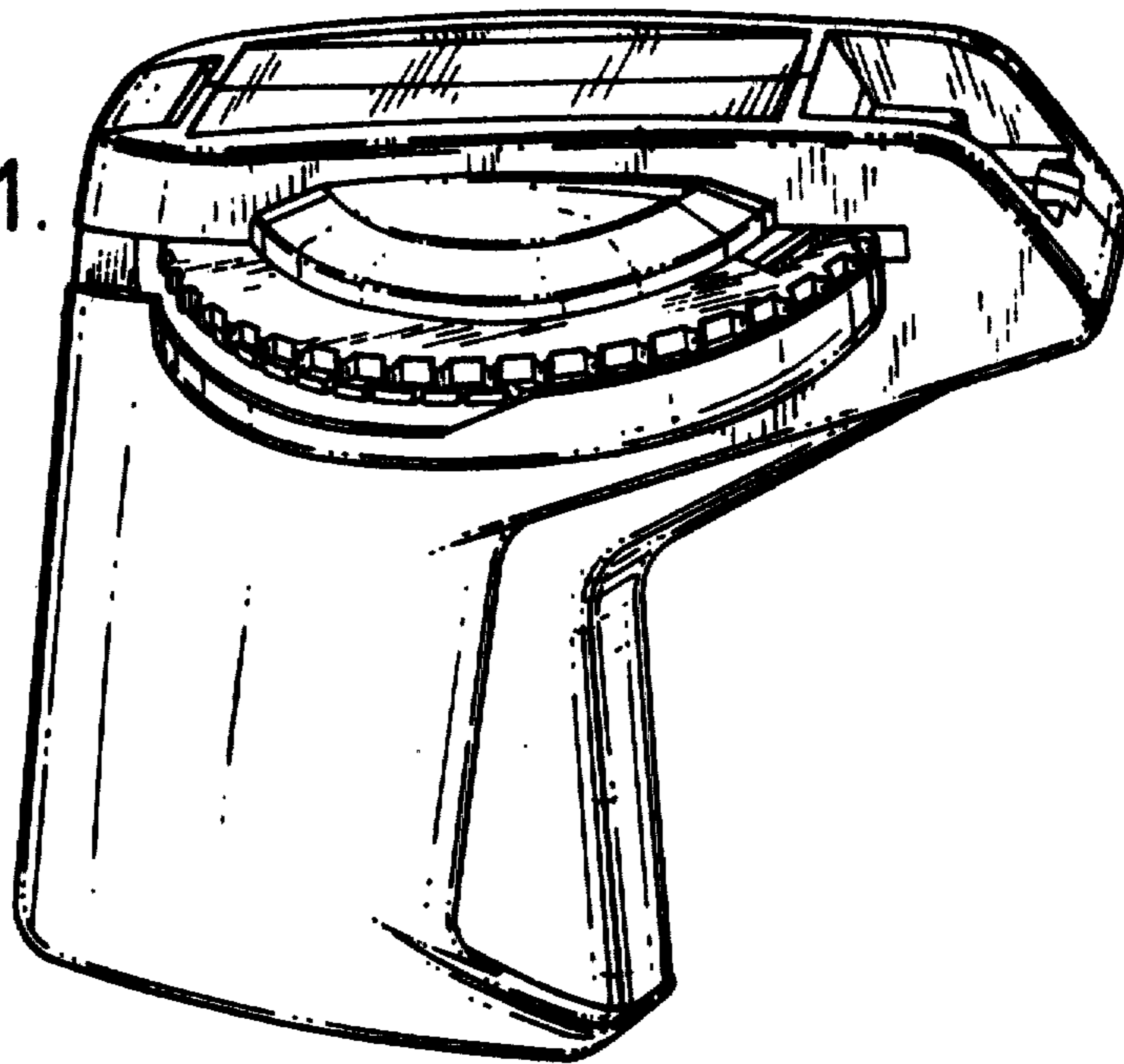


FIG. 2.

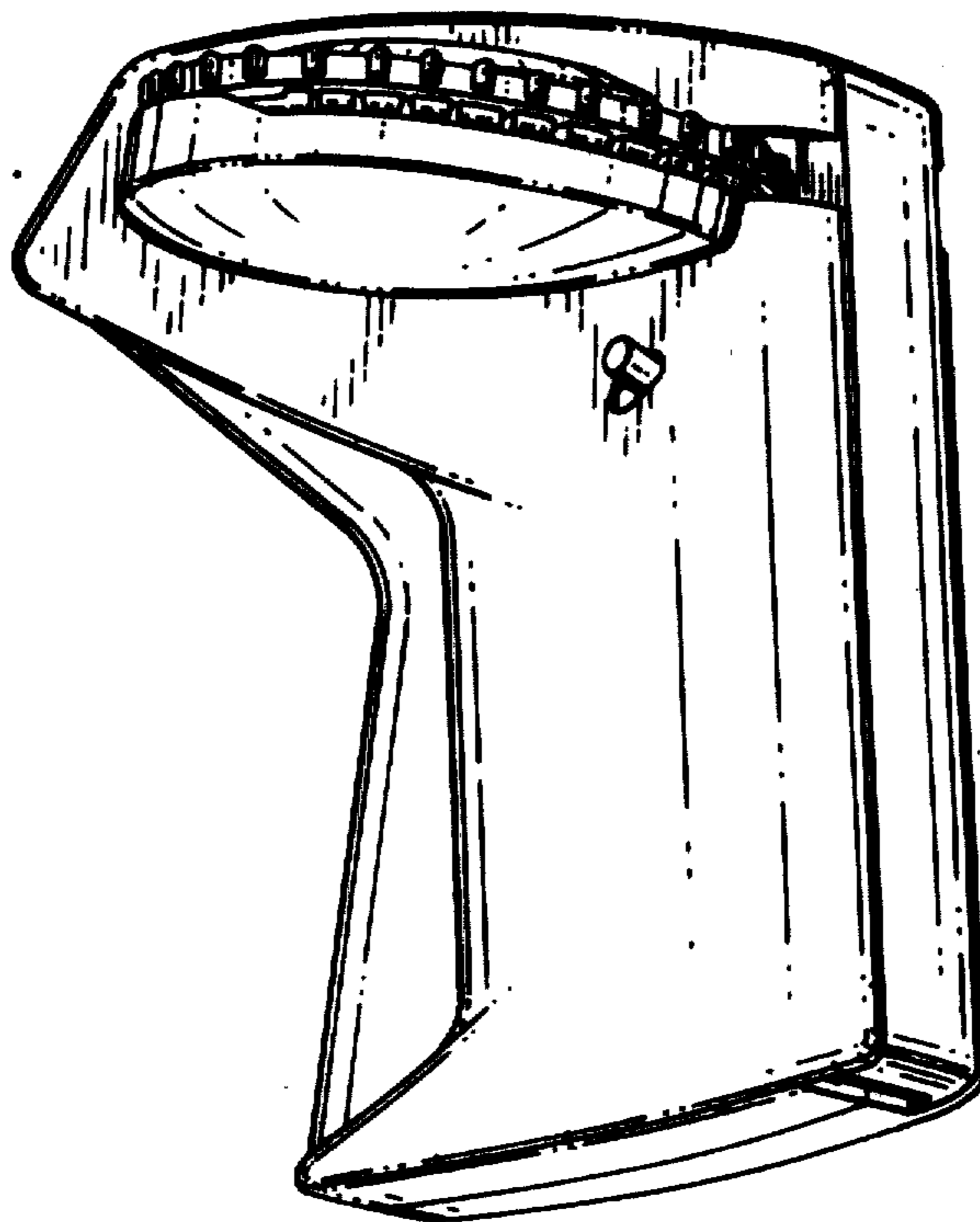


FIG. 3.

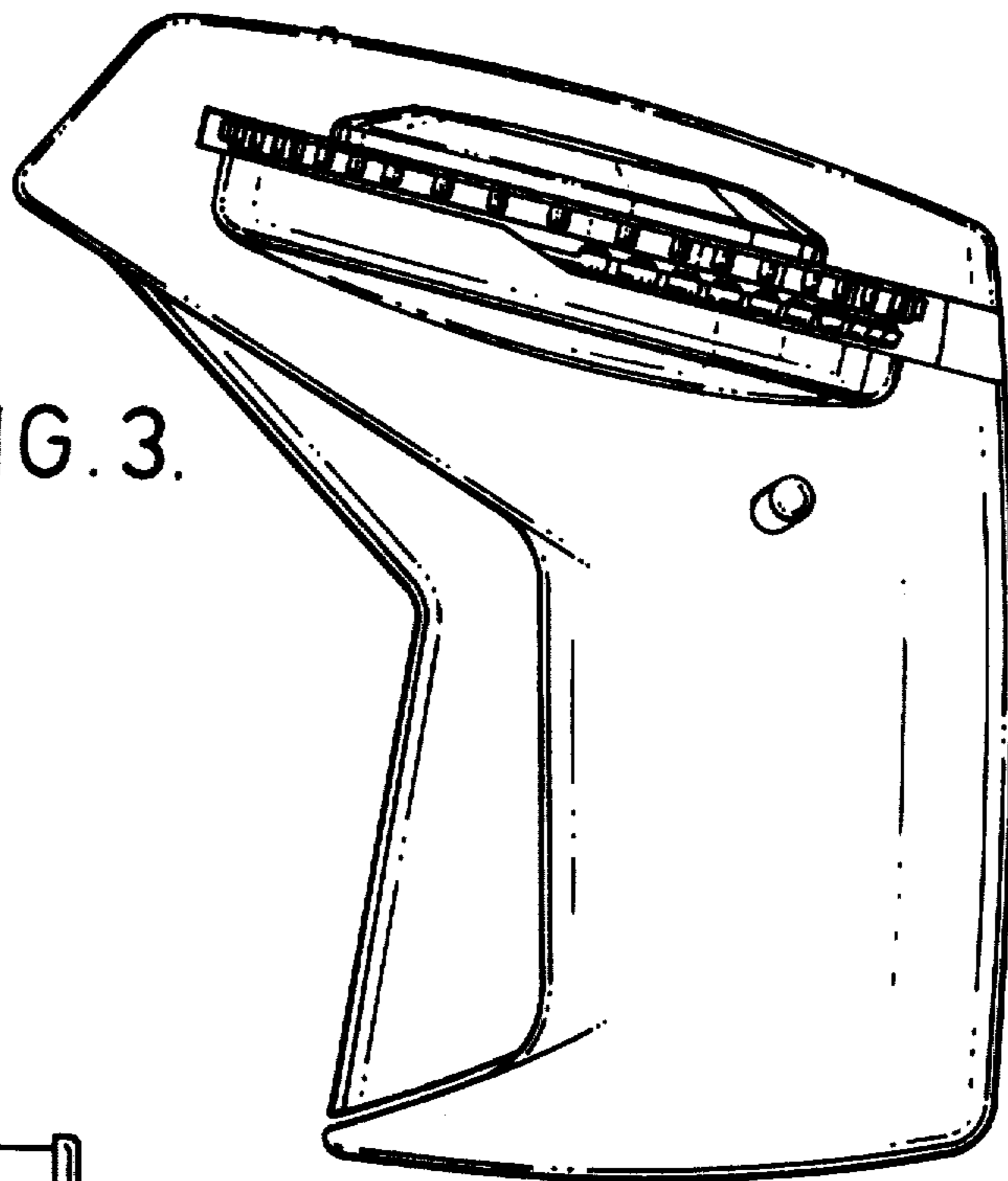


FIG. 4.

