

[54] **FUEL DISPENSER**

[75] **Inventors:** Glenn W. Monigle, Golden; David W. Roecker, Denver, both of Colo.

[73] **Assignee:** Dresser Industries, Inc., Dallas, Tex.

[**] **Term:** 14 Years

[21] **Appl. No.:** 365,838

[22] **Filed:** Apr. 5, 1982

Related U.S. Application Data

[62] Division of Ser. No. 118,376, Feb. 4, 1980, Pat. No. Des. 266,673.

[51] **Int. Cl.** D15-02

[52] **U.S. Cl.** D15/9.2

[58] **Field of Search** D15/9.1, 9.2, 9.3; 194/3, 13; 222/23-28, 32-36, 74-76, 173-176, 183-184, 523, 530, 538

[56]

References Cited

U.S. PATENT DOCUMENTS

D. 232,969	9/1974	Breger	D15/9.1
D. 237,821	11/1975	Gray	D15/9.2
D. 237,822	11/1975	Gray	D15/9.2
D. 237,823	11/1975	Gray	D15/9.2
D. 238,895	2/1976	Albright	D15/9.2
D. 260,897	9/1981	Todd	D15/9.2
D. 262,971	2/1982	Robinson	D15/9.2
D. 264,471	5/1982	Rowan	D15/9.2
D. 265,092	6/1982	Robinson	D15/9.2
D. 266,673	10/1982	Monigle et al.	D15/9.1
3,199,727	8/1965	Romanowski	222/26 X

Primary Examiner—Nelson C. Holtje
Attorney, Agent, or Firm—Daniel Rubin

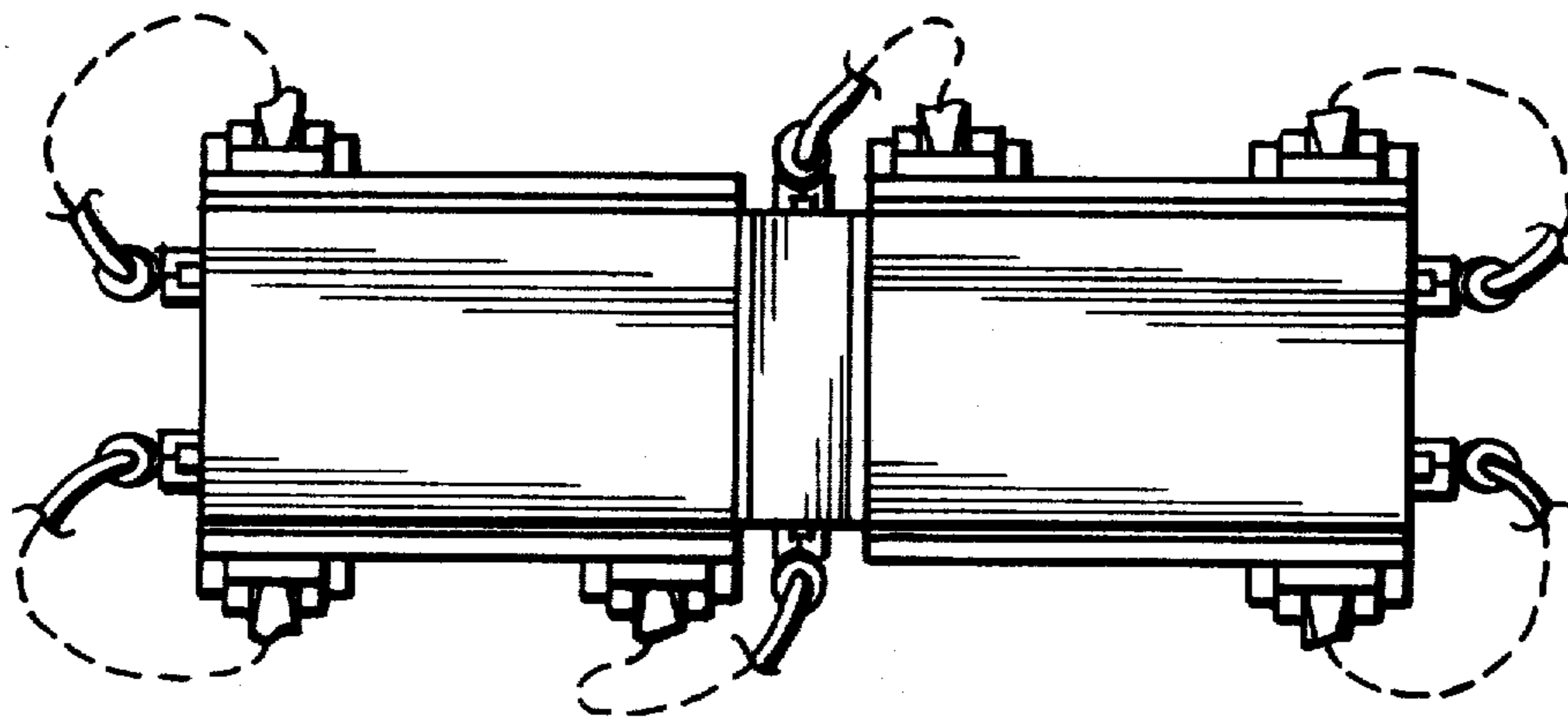
[57]

CLAIM

The ornamental design for a fuel dispenser, as shown and described.

DESCRIPTION

FIG. 1 is a front elevational view of our new design, the rear view being identical thereto;
FIG. 2 is a top plan view thereof, portions of the hose being shown in broken lines for ease of illustration;
FIG. 3 is a right side elevational view thereof, the left side being identical thereto.



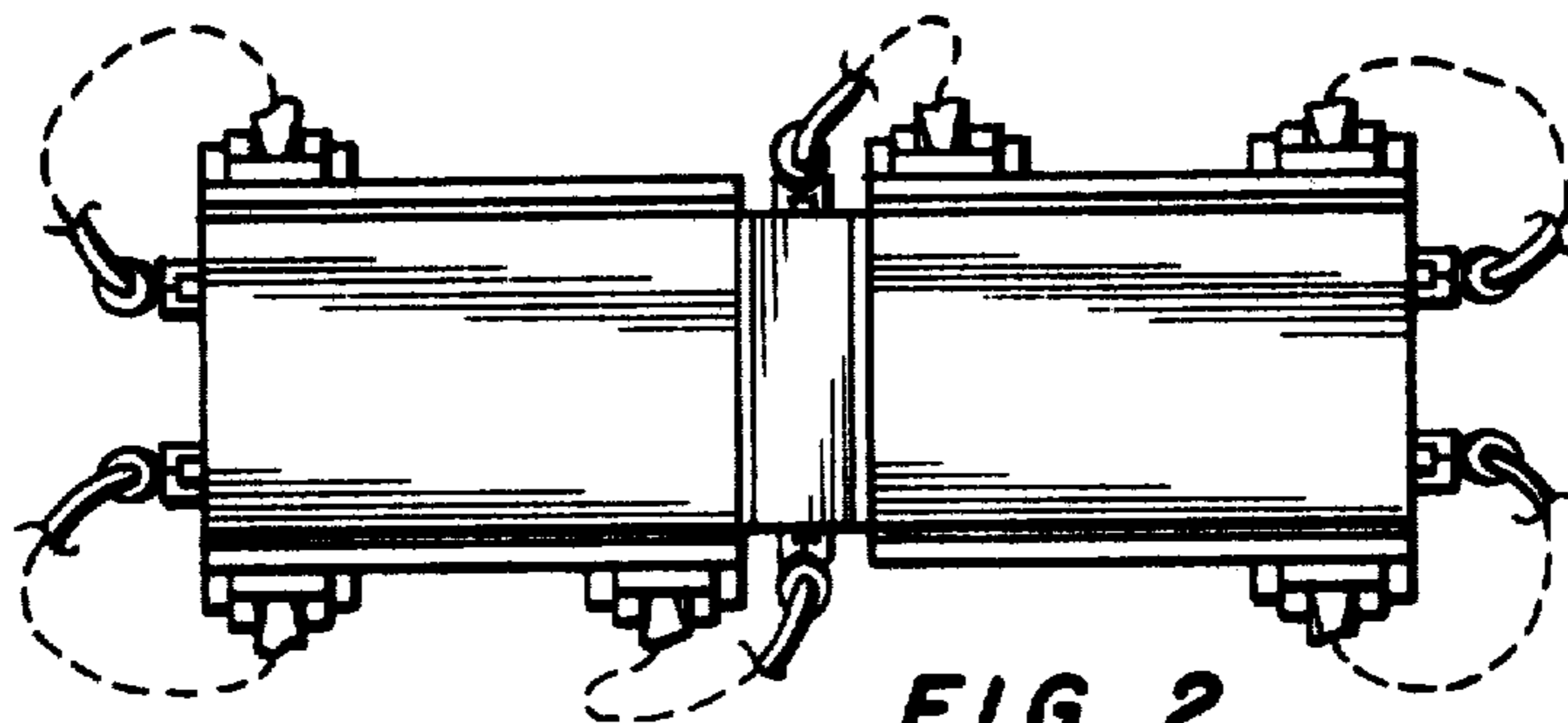


FIG. 2

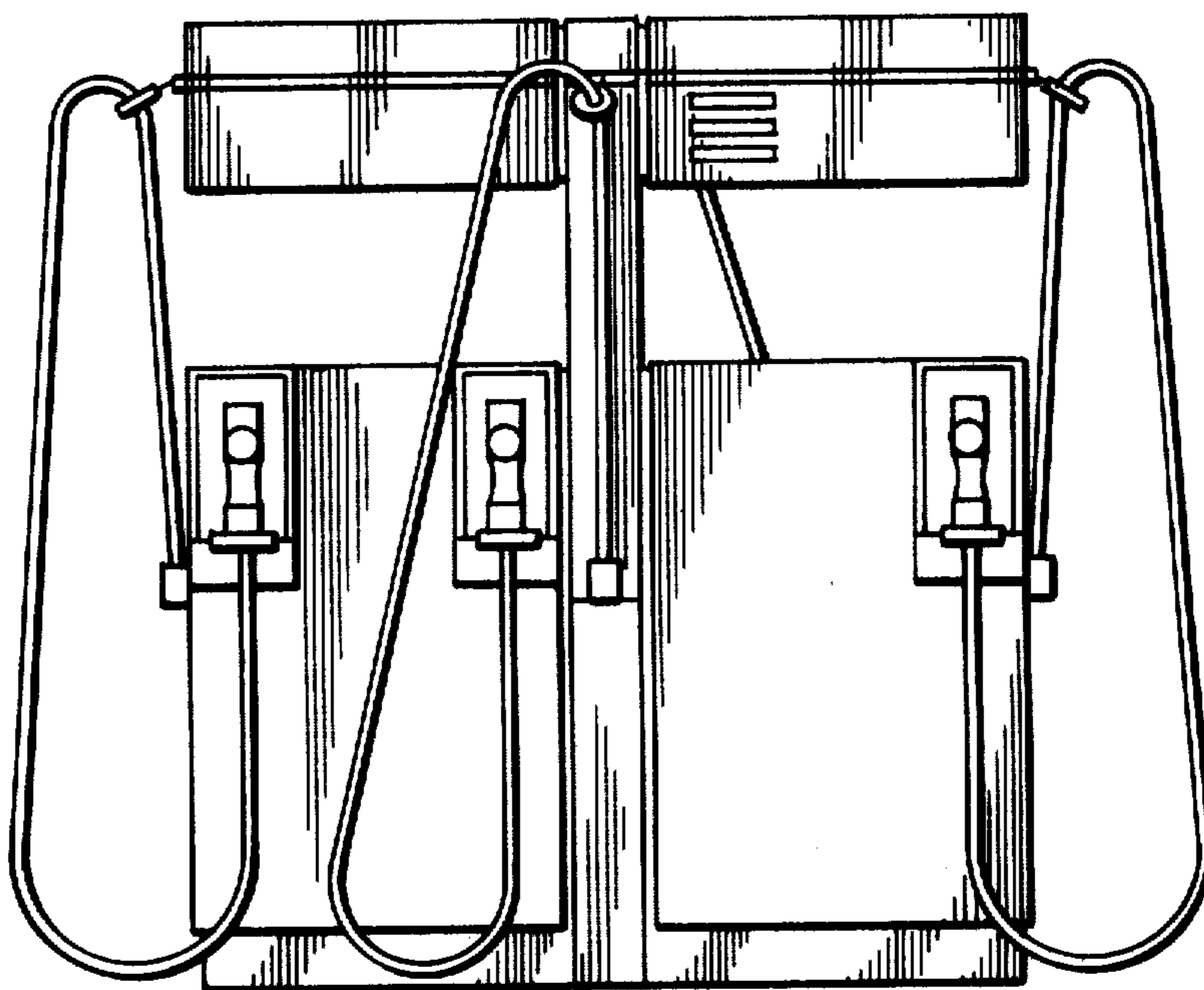


FIG. 1

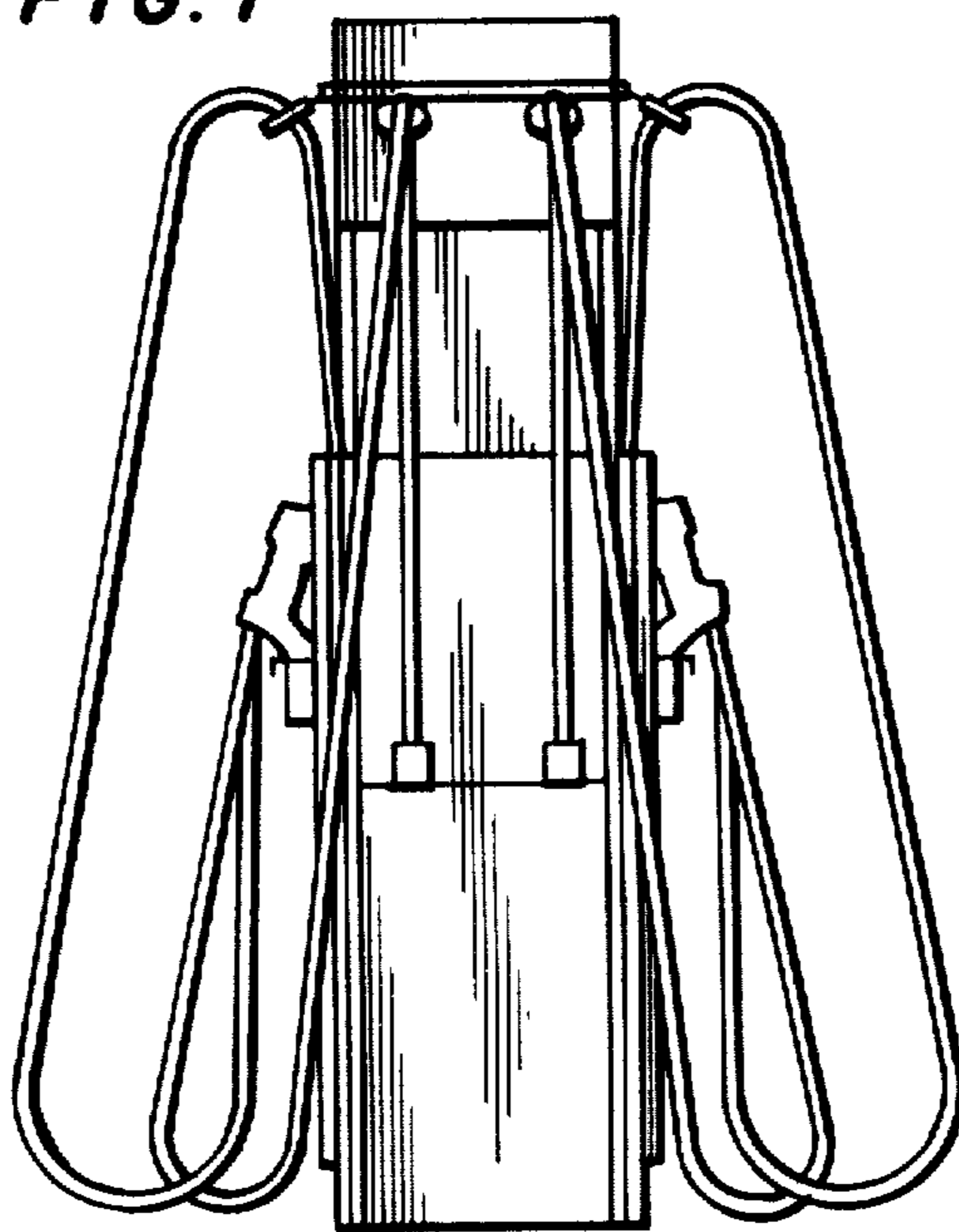


FIG. 3