

[54] INTERACTIVE TERMINAL DISPLAY

[75] Inventors: Donald F. Lahey, Saratoga; Dallas G. Molerin, Union City, both of Calif.

[73] Assignee: International Business Machines Corporation, Armonk, N.Y.

[**] Term: 14 Years

[21] Appl. No.: 300,780

[22] Filed: Sep. 14, 1981

[51] Int. Cl. D14-02

[52] U.S. Cl. D14/113

[58] Field of Search D14/100-115; 340/711, 700, 720; 364/900; D6/85, 173, 181, 194

[56] References Cited

U.S. PATENT DOCUMENTS

D. 247,748 4/1978 Ebner et al. D14/113

OTHER PUBLICATIONS

Industrial Design, 5/6-1979, p. 37, Terminal. The Office, 6-1980, p. 116, Royal Business Machines 7000 Word Processor.

Primary Examiner—Susan J. Lucas
Attorney, Agent, or Firm—Karl O. Hesse

[57] CLAIM

The ornamental design for an interactive terminal display, substantially as shown and described.

DESCRIPTION

FIG. 1 is a front, top and left side perspective view of a combined interactive terminal display and support therefor showing our new design;

FIG. 2 is a rear, top and right side perspective view thereof;

FIG. 3 is a front, top and left side thereof with the support in an alternate position for mounting on the underside of a shelf;

FIG. 4 is a rear, top and right side perspective view thereof;

FIG. 5 is a side elevational view thereof;

FIG. 6 is a front elevational view thereof.

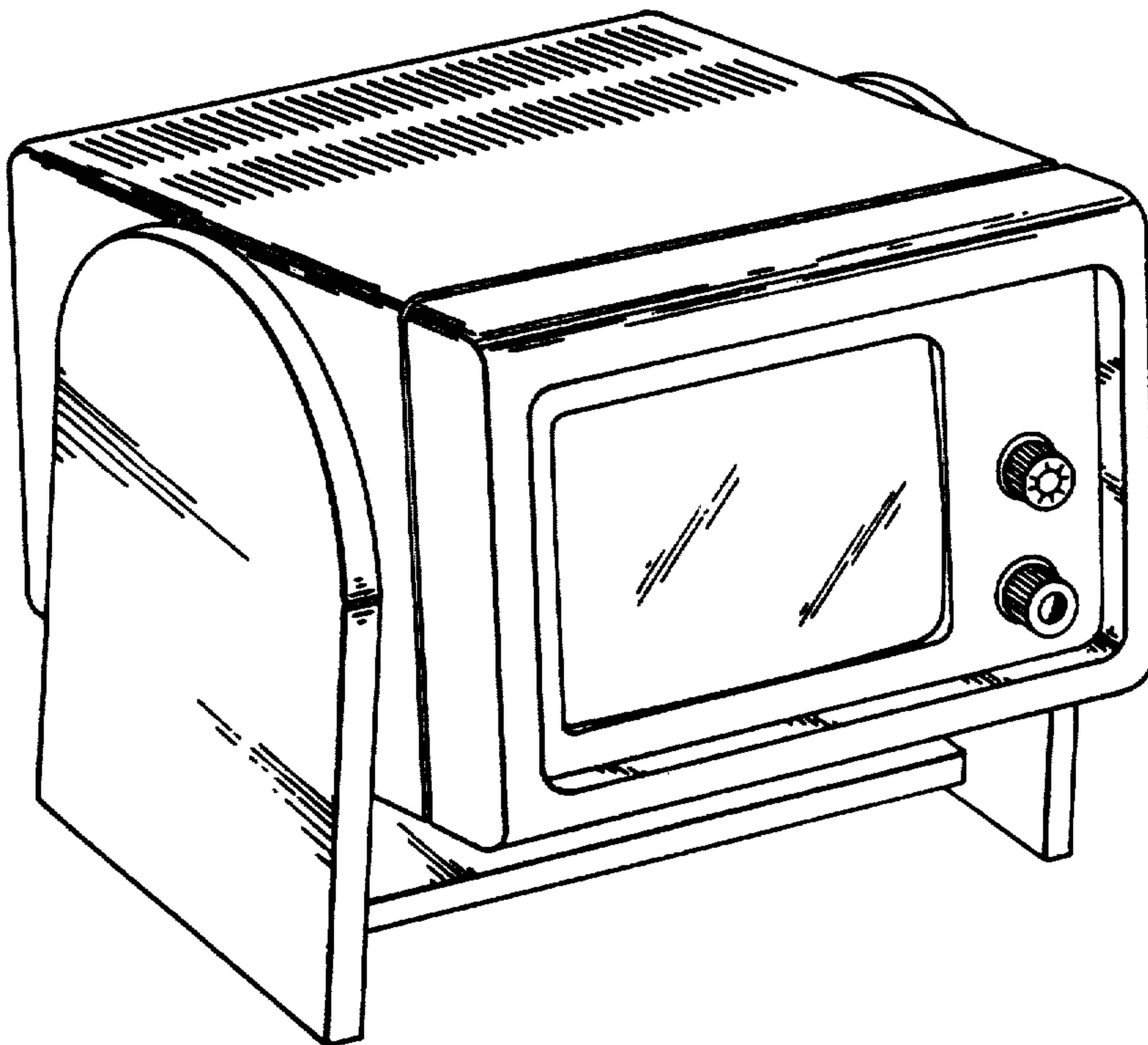


FIG. 1

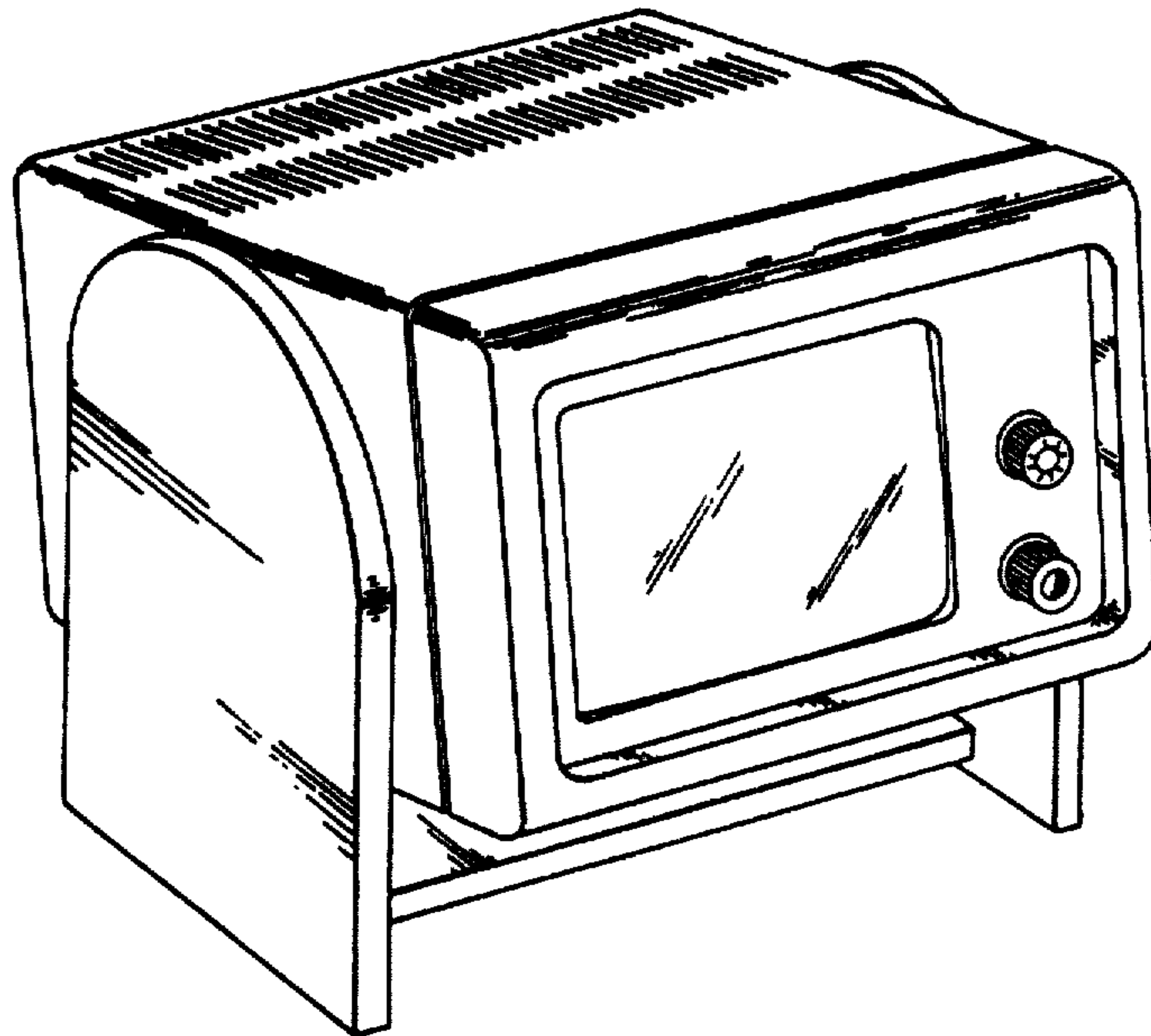


FIG. 2

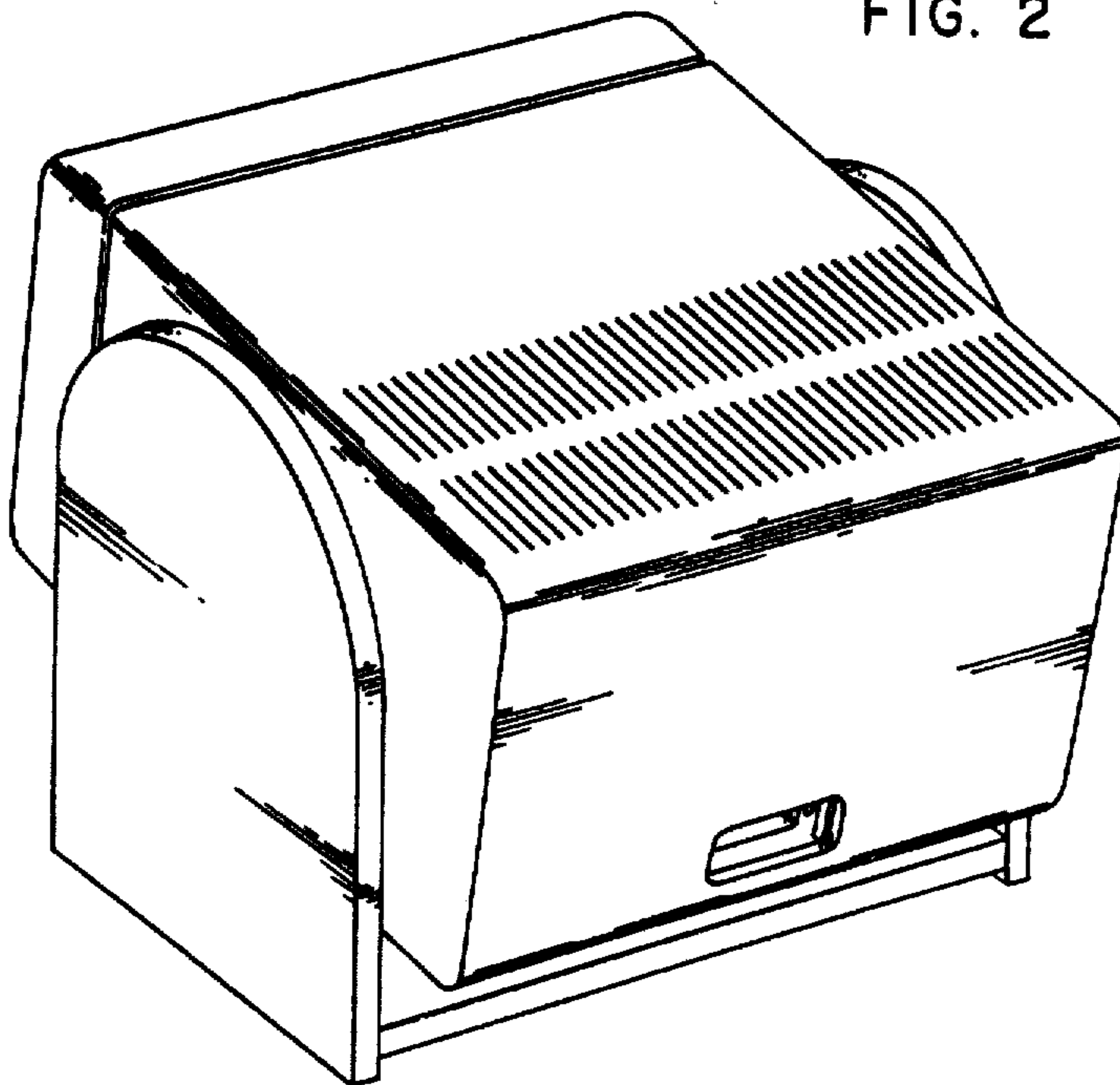


FIG. 3

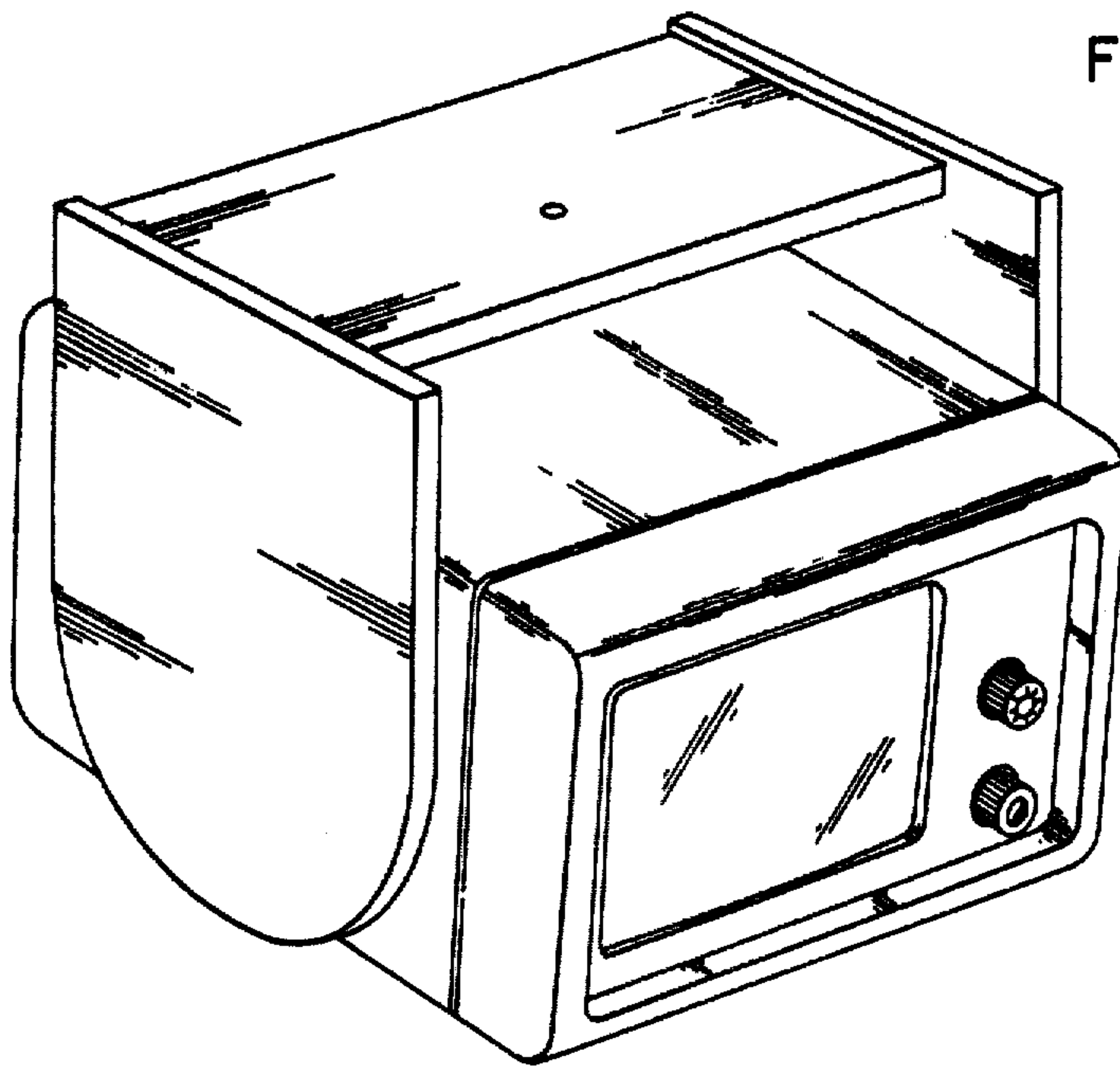


FIG. 4

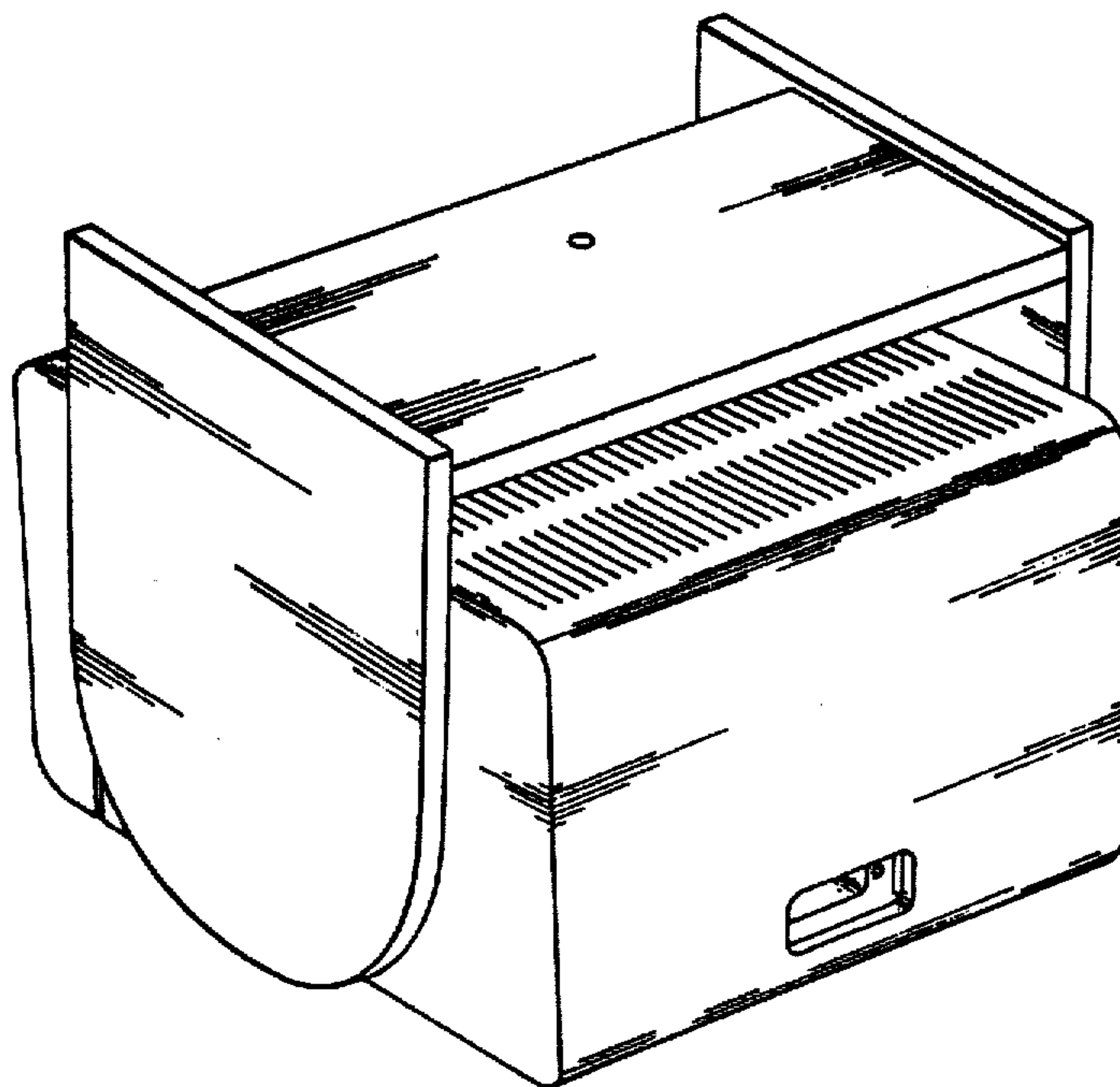


FIG. 5

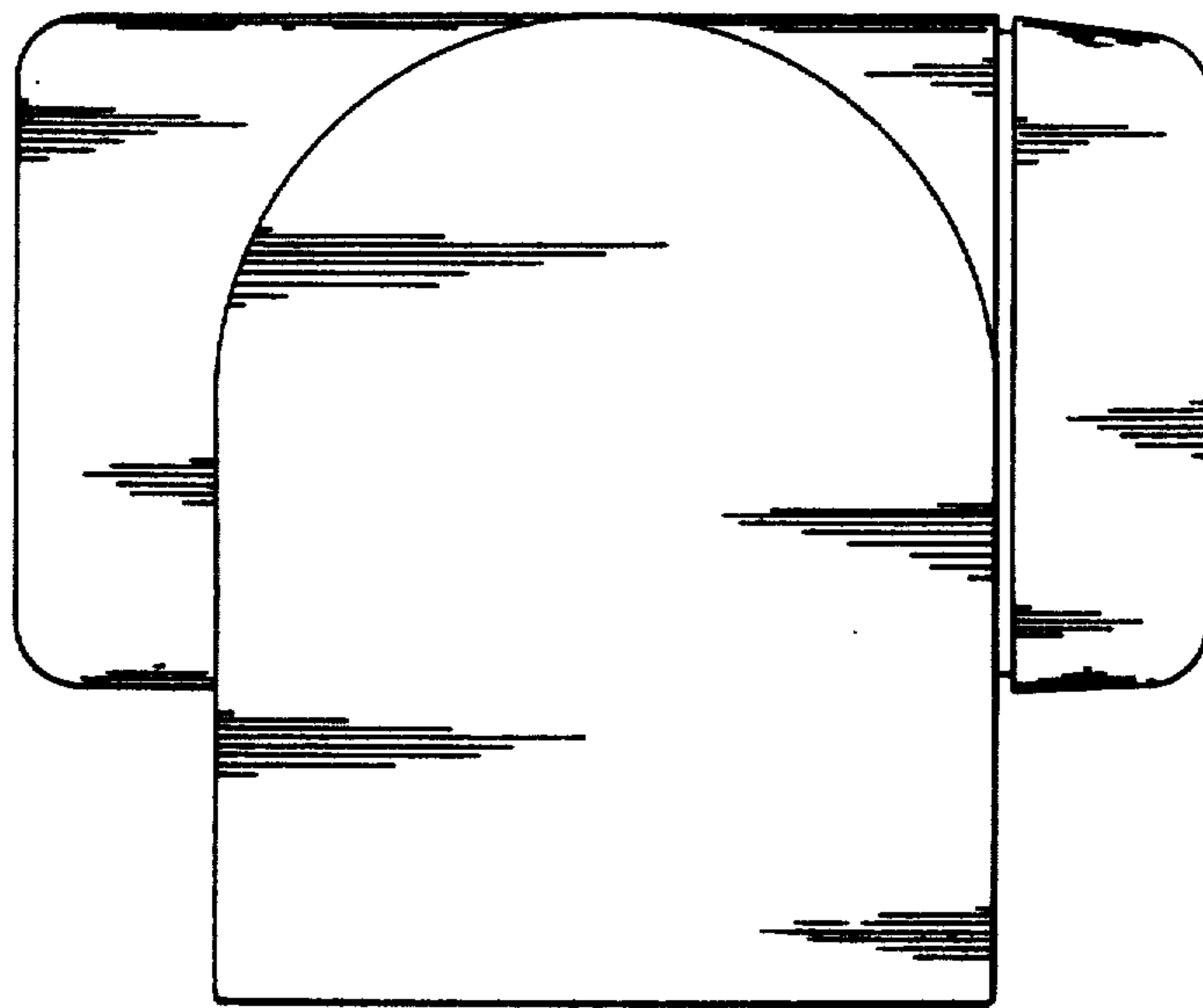


FIG. 6

