

[54] **DASHBOARD COVER**

[76] **Inventor:** **Mark P. Lopez**, 8335 True Ave., Pico Rivera, Calif. 90660

[\*\*] **Term:** **14 Years**

[21] **Appl. No.:** **289,198**

[22] **Filed:** **Aug. 3, 1981**

[51] **Int. Cl.** ..... **D12—16**

[52] **U.S. Cl.** ..... **D12/192**

[58] **Field of Search** ..... **D12/192; 180/90; 296/70**

[56] **References Cited**

**U.S. PATENT DOCUMENTS**

D. 179,266 11/1956 Rich ..... **D12/192**

**OTHER PUBLICATIONS**

Road & Track, 9/68, p. 2, Datsun Dashboard, lower left side of page.

J. C. Whitney Catalog No. 336, ©1975, p. 22, Rear Shelf Carpets, second box up from bottom left side of page.

*Primary Examiner*—James M. Gandy  
*Attorney, Agent, or Firm*—Edgar W. Averill, Jr.

[57] **CLAIM**

The ornamental design for a dashboard cover, as shown and described.

**DESCRIPTION**

FIG. 1 is a perspective view of a dashboard cover showing my new design in exploded condition with respect to the dashboard, it being understood that the broken lines are for illustrative purposes only;

FIG. 2 is an enlarged top plan view thereof;

FIG. 3 is an enlarged bottom plan view thereof; and

FIG. 4 is an enlarged end elevational view thereof.

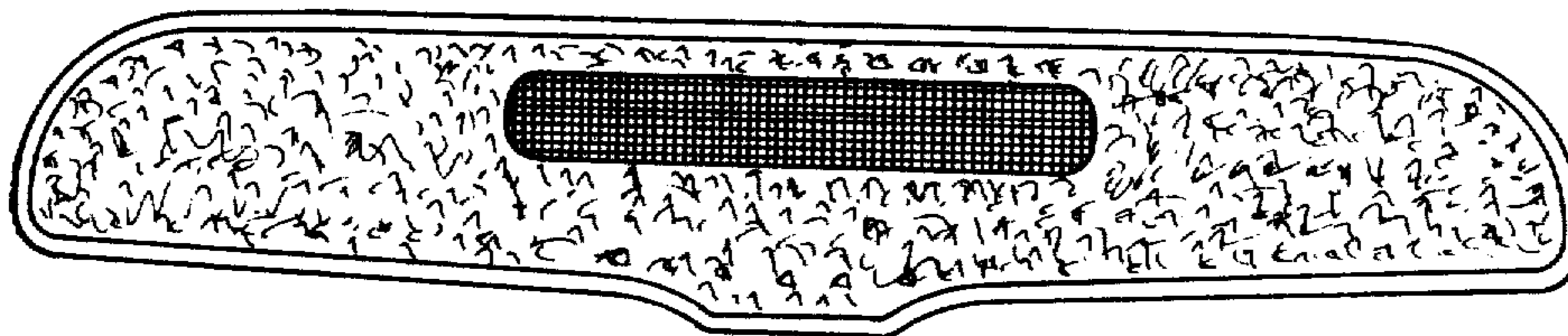




FIG. 4

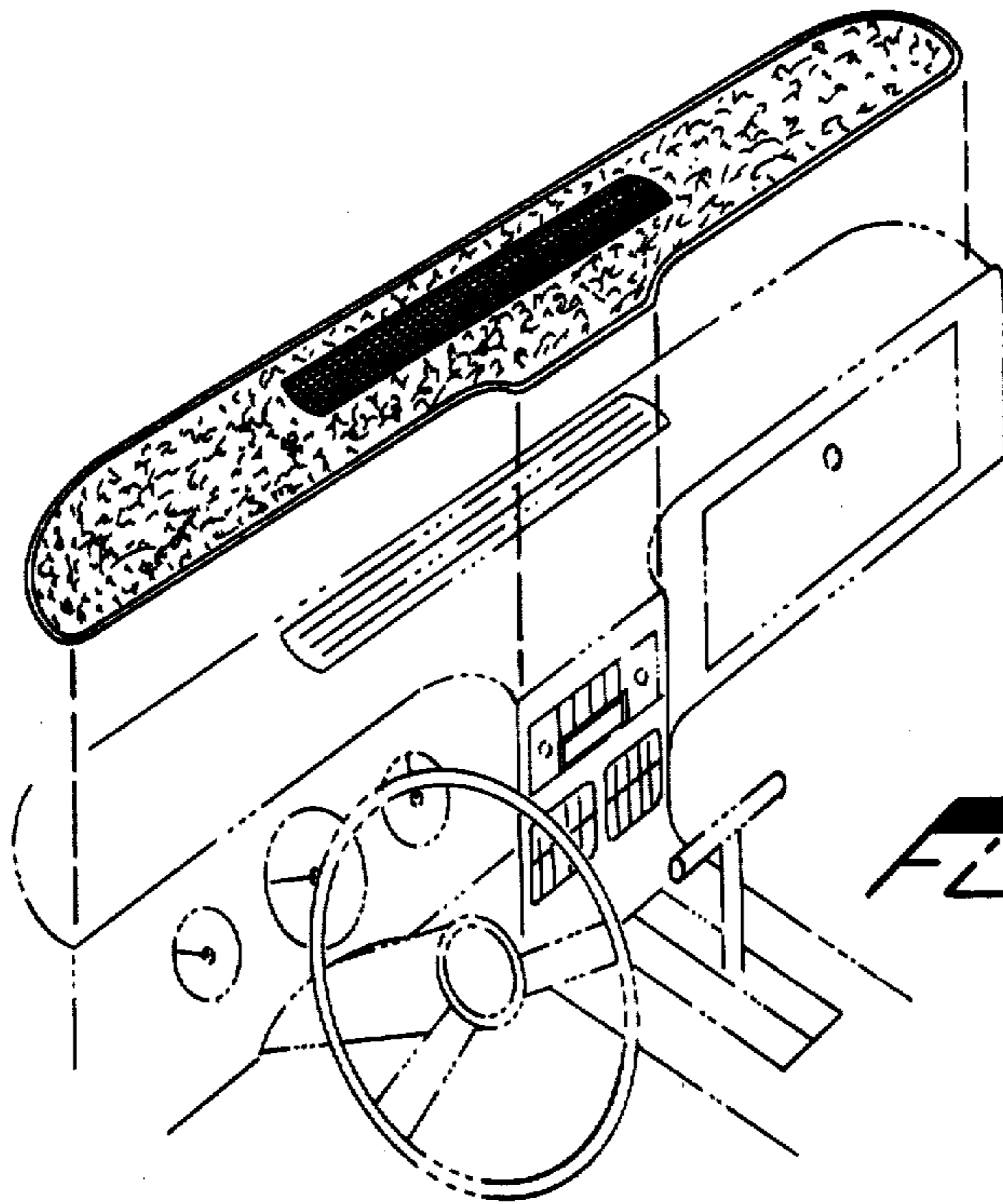


FIG. 4

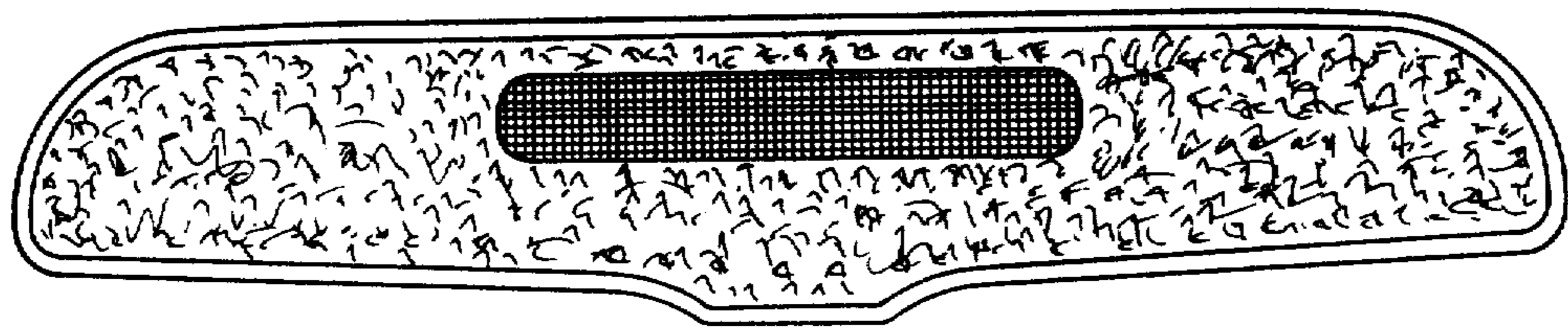


FIG. 5

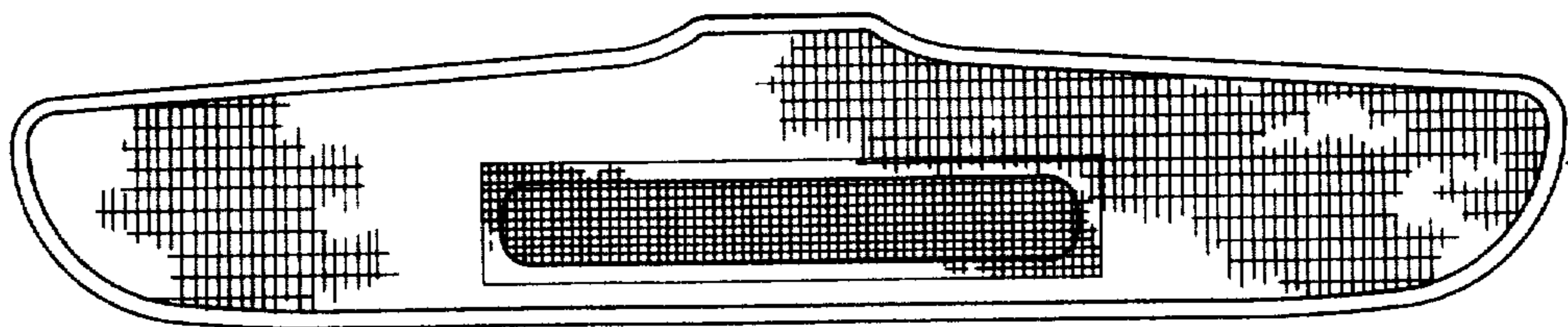


FIG. 6