

[54] COVERED FOOD STORAGE CONTAINER

[75] Inventors: David O. Chase, Skaneateles, N.Y.; Paul H. Pfuhl, Wrentham, Mass.

[73] Assignee: Mobil Oil Corporation, New York, N.Y.

[**] Term: 14 Years

[21] Appl. No.: 256,432

[22] Filed: Apr. 22, 1981

Related U.S. Application Data

[63] Continuation-in-part of Ser. No. 214,600, Dec. 9, 1980, Pat. No. Des. 267,703.

[51] Int. Cl. D07-01

[52] U.S. Cl. D7/16; D7/76

[58] Field of Search D7/76, 77, 78, 79, 21, D7/16, 18; D9/424, 425, 426, 430, 431, 432

[56] References Cited

U.S. PATENT DOCUMENTS

D. 215,413	9/1969	Donovan	D9/425
D. 227,140	6/1973	Douglas	D7/18
D. 267,703	1/1983	Chase et al.	D9/443 X
4,143,805	3/1979	Sutton	D7/18 X

OTHER PUBLICATIONS

Gifts & Decorative Accessories, Nov. 1975, p. 39, Set of China Stacking Bowls, upper left.

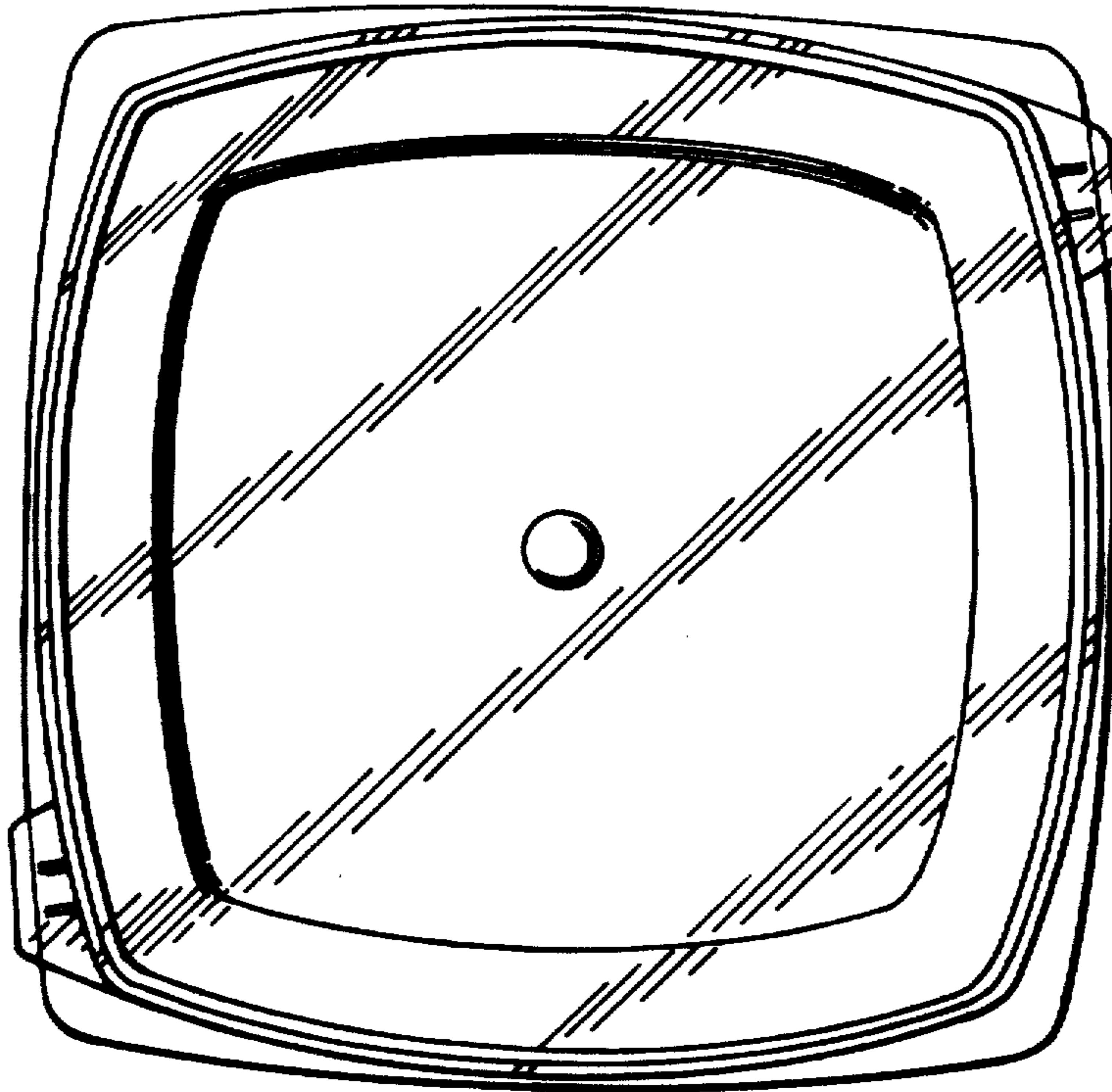
Primary Examiner—Winifred E. Herrmann
Attorney, Agent, or Firm—Alexander J. McKillop; Michael G. Gilman; James P. O'Sullivan, Sr.

[57] CLAIM

The ornamental design for a covered food storage container, as shown and described.

DESCRIPTION

FIG. 1 is a top plan view of a covered food storage container showing my new design; FIG. 2 is a side elevational view thereof; FIG. 3 is a bottom plan view thereof; and FIG. 4 is a top perspective view thereof.



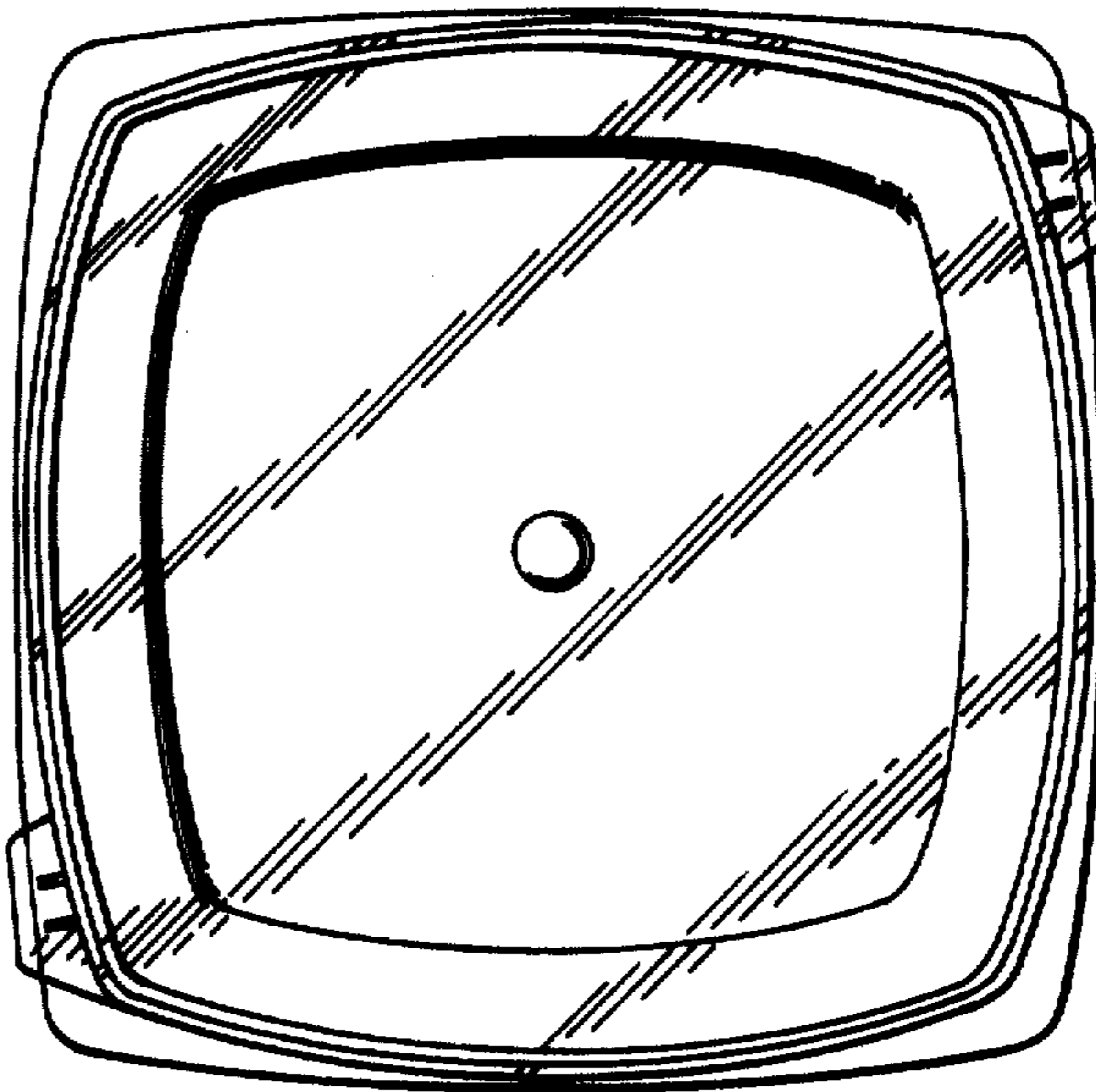


FIG. 1

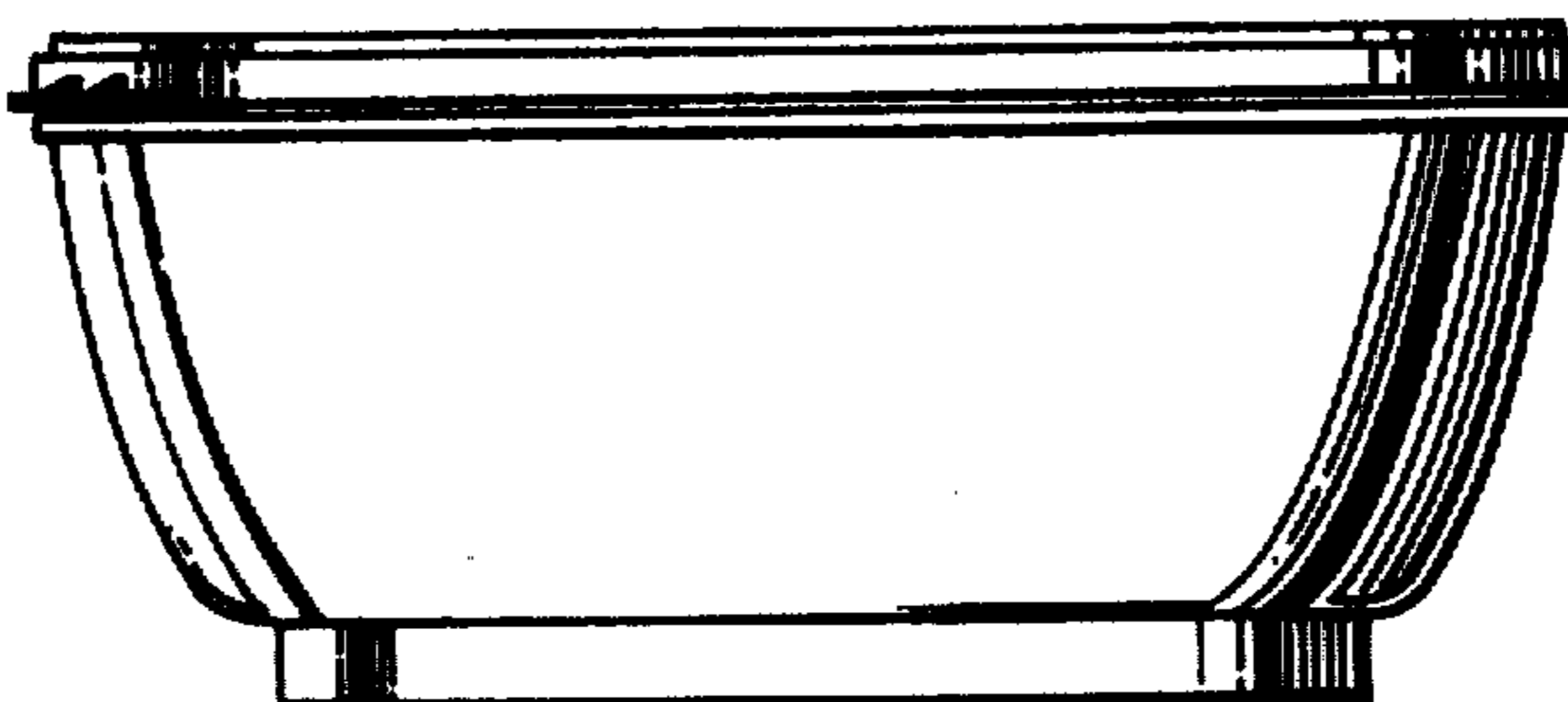


FIG. 2

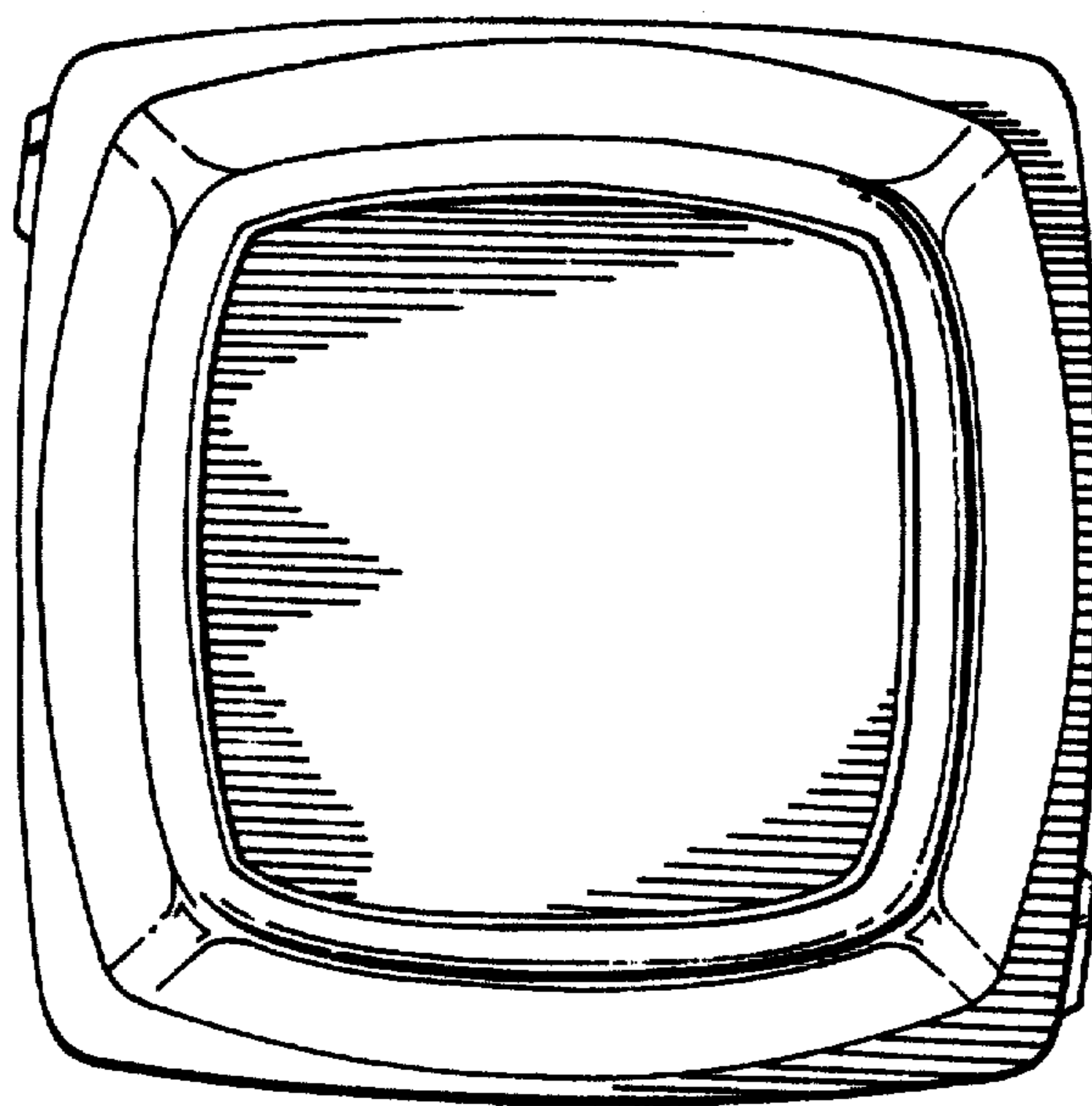


FIG. 3

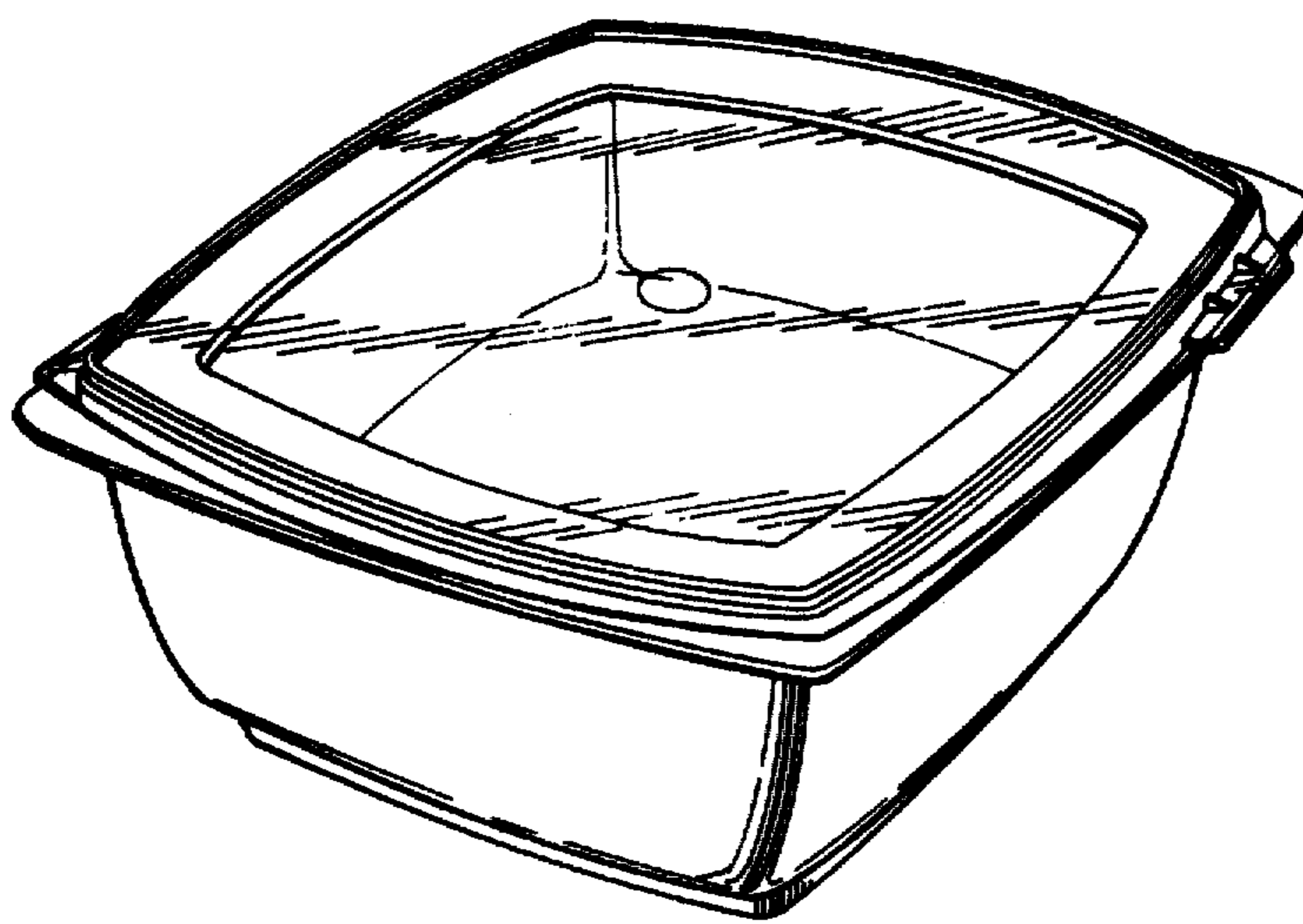


FIG. 4