

[54] **ROCKER GLIDE OR SIMILAR ARTICLE**

[75] Inventor: **George E. Fort, New Castle, Ind.**

[73] Assignee: **American Standard Inc., New York, N.Y.**

[\*\*] Term: **14 Years**

[21] Appl. No.: **344,697**

[22] Filed: **Feb. 1, 1982**

[51] Int. Cl. .... **D6-99**

[52] U.S. Cl. .... **D6/191; D8/354; D25/58**

[58] Field of Search ..... **D6/191, 139; D8/354; D25/58**

[56] **References Cited**

**U.S. PATENT DOCUMENTS**

- D. 229,384 11/1973 Groce et al. .... D6/191
- D. 251,966 5/1979 Wallace ..... D8/354 X
- D. 259,380 6/1981 Welsch et al. .... D6/191
- 1,743,809 1/1930 Derby ..... D8/354 X

1,768,652 7/1930 Yordon ..... D8/354 X

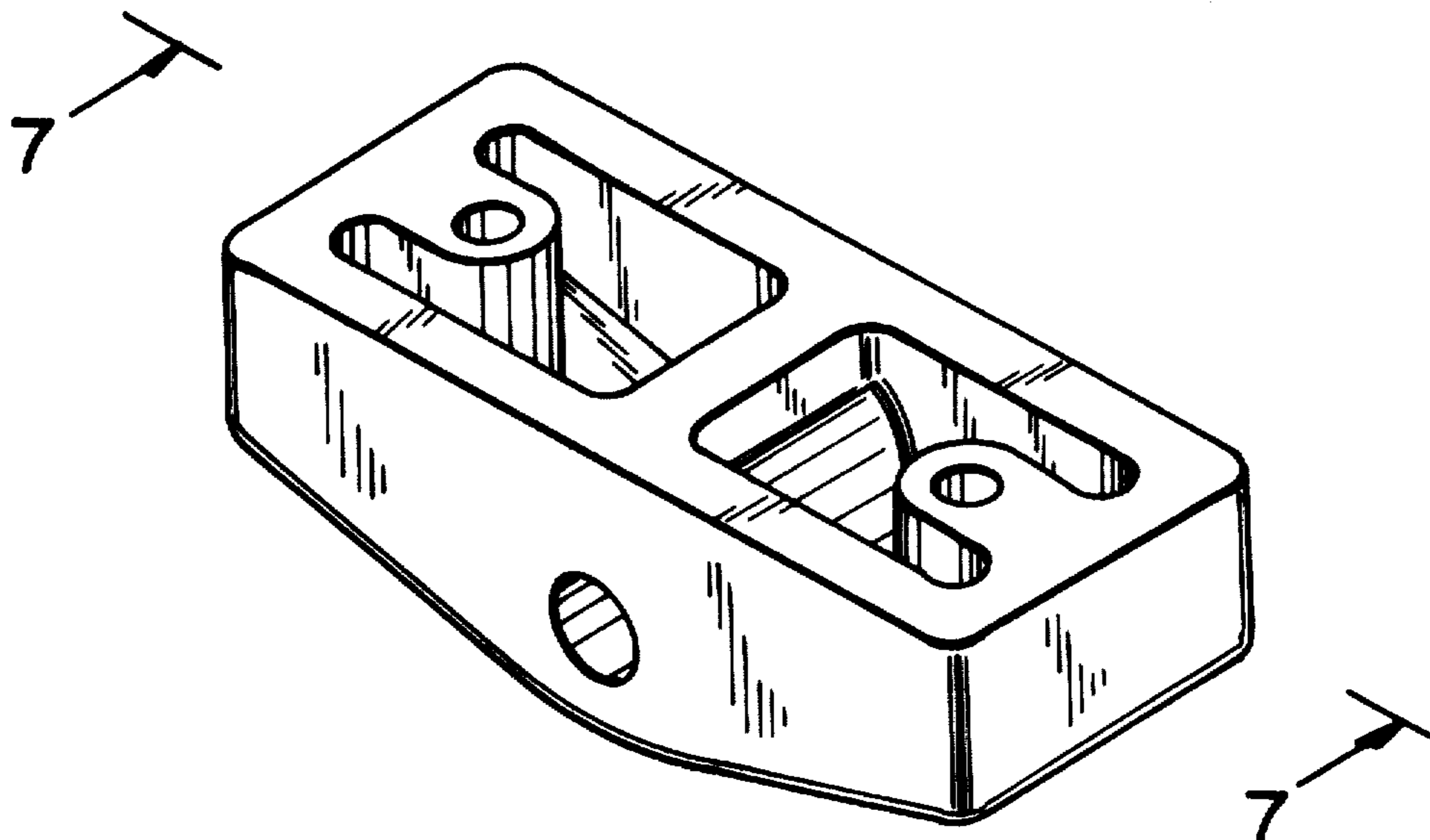
*Primary Examiner*—Bruce W. Dunkins  
*Attorney, Agent, or Firm*—James J. Salerno, Jr.; Robert G. Crooks; John P. Sinnott

[57] **CLAIM**

The ornamental design for a rocker glide or similar article, substantially as shown and described.

**DESCRIPTION**

FIG. 1 is a perspective view of a rocker glide or similar article embodying my new design as seen from the front, top and one side thereof;  
 FIG. 2 is a perspective view similar to that of FIG. 1 but as seen from the rear, bottom and the other side thereof;  
 FIG. 3 is a top plan view thereof;  
 FIG. 4 is a bottom plan view thereof;  
 FIG. 5 is a front elevational view thereof, the rear view being a mirror image thereof;  
 FIG. 6 is a side elevational view, the other side being a mirror image thereof; and  
 FIG. 7 is a sectional view taken along 7-7 of FIG. 1.



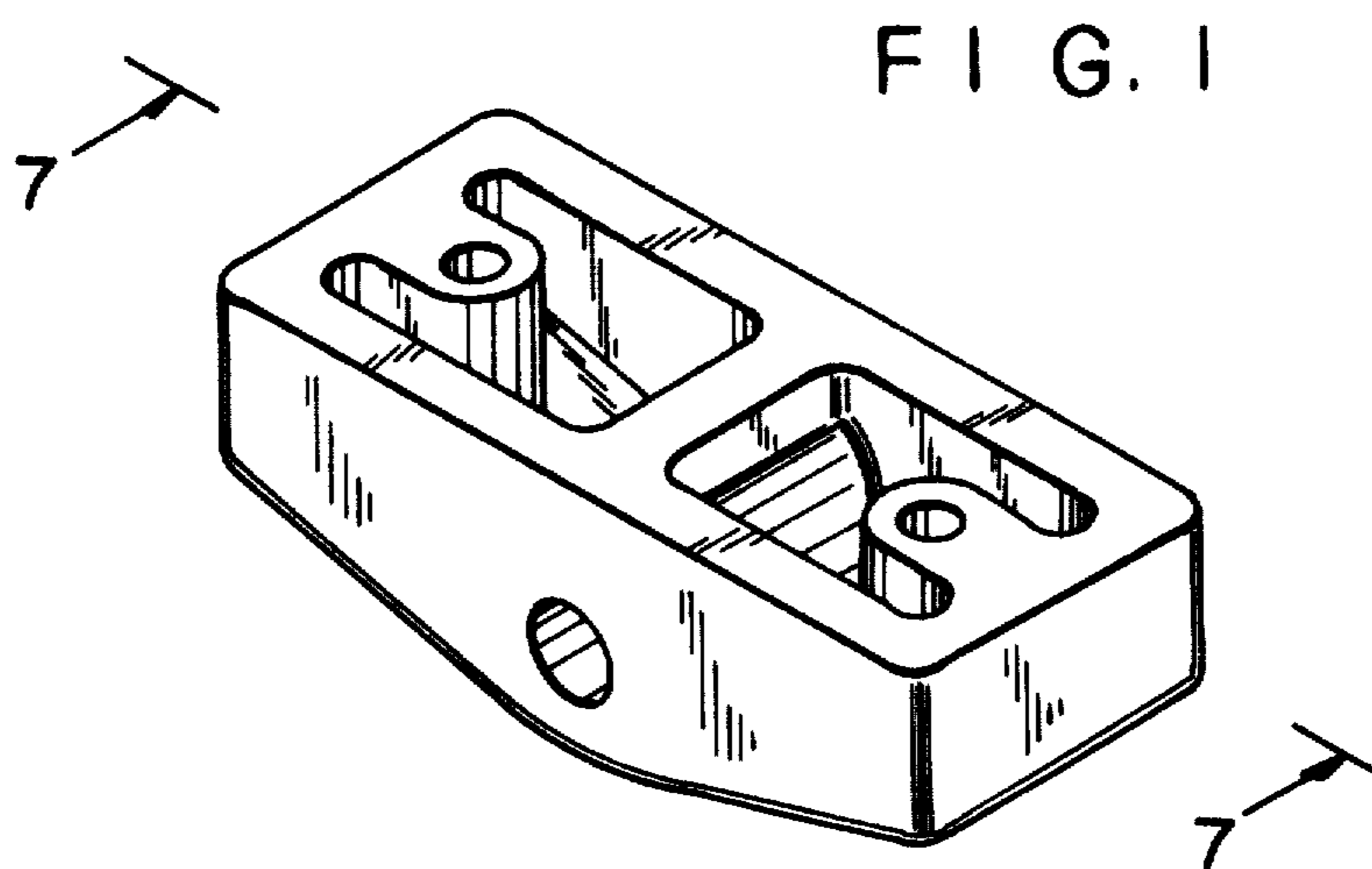


FIG. 2

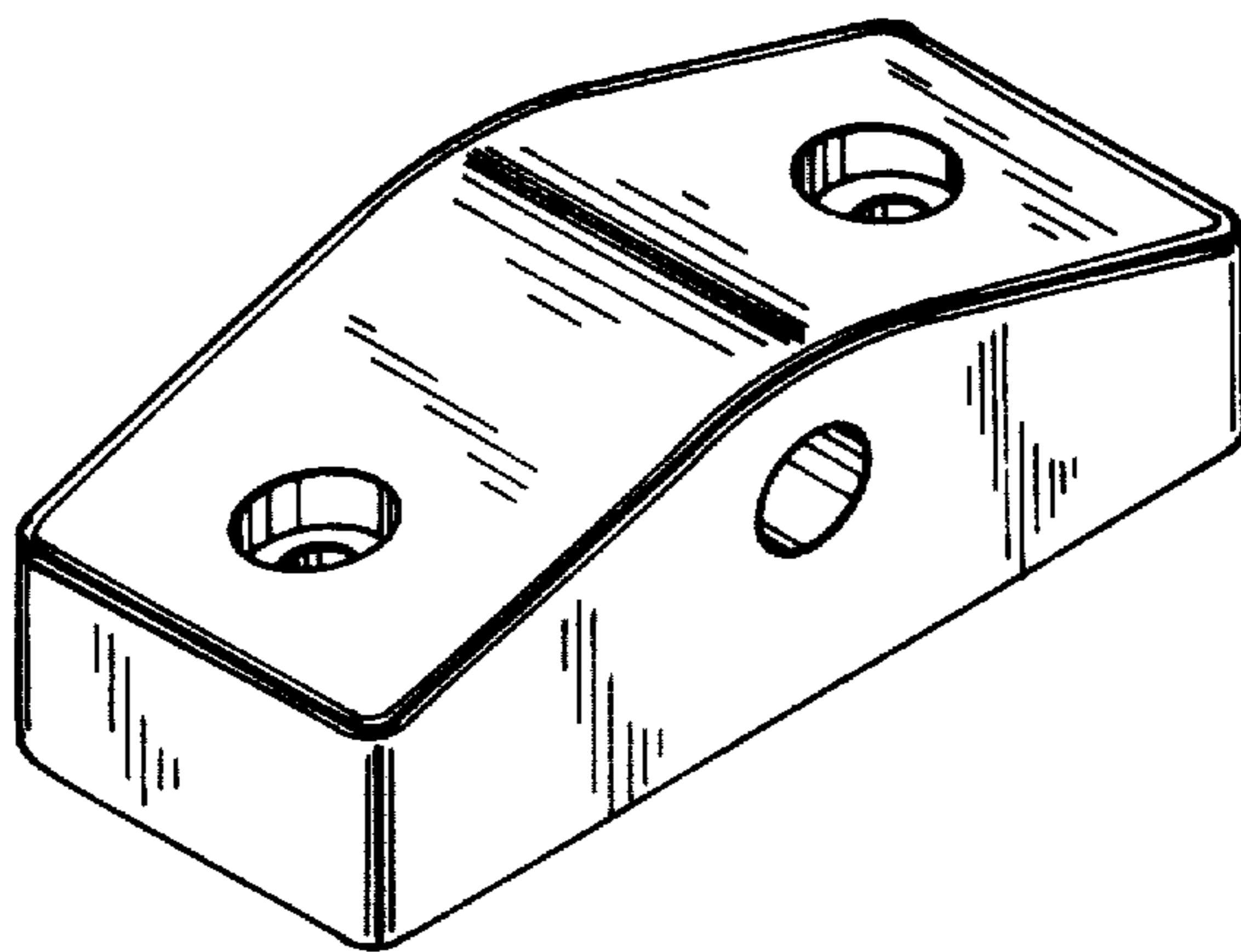


FIG. 3

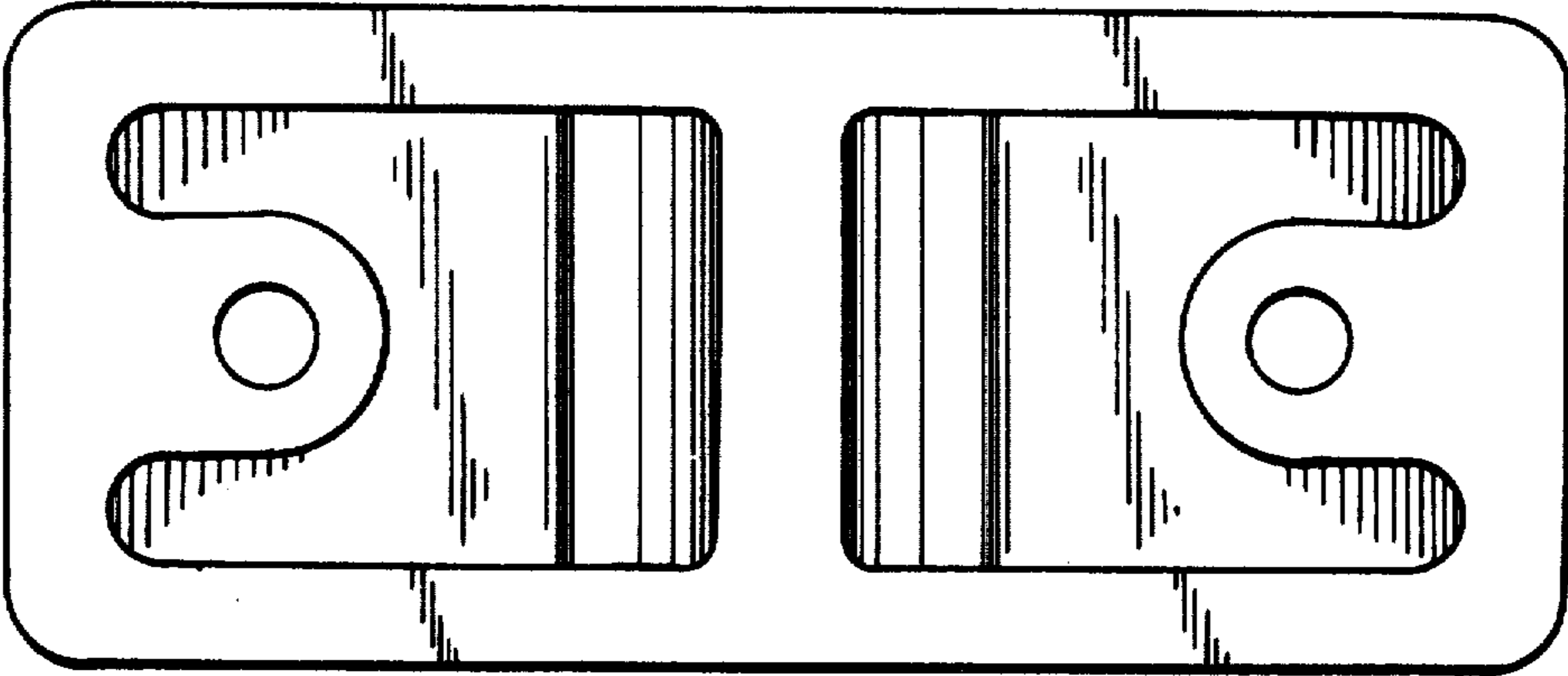


FIG. 4

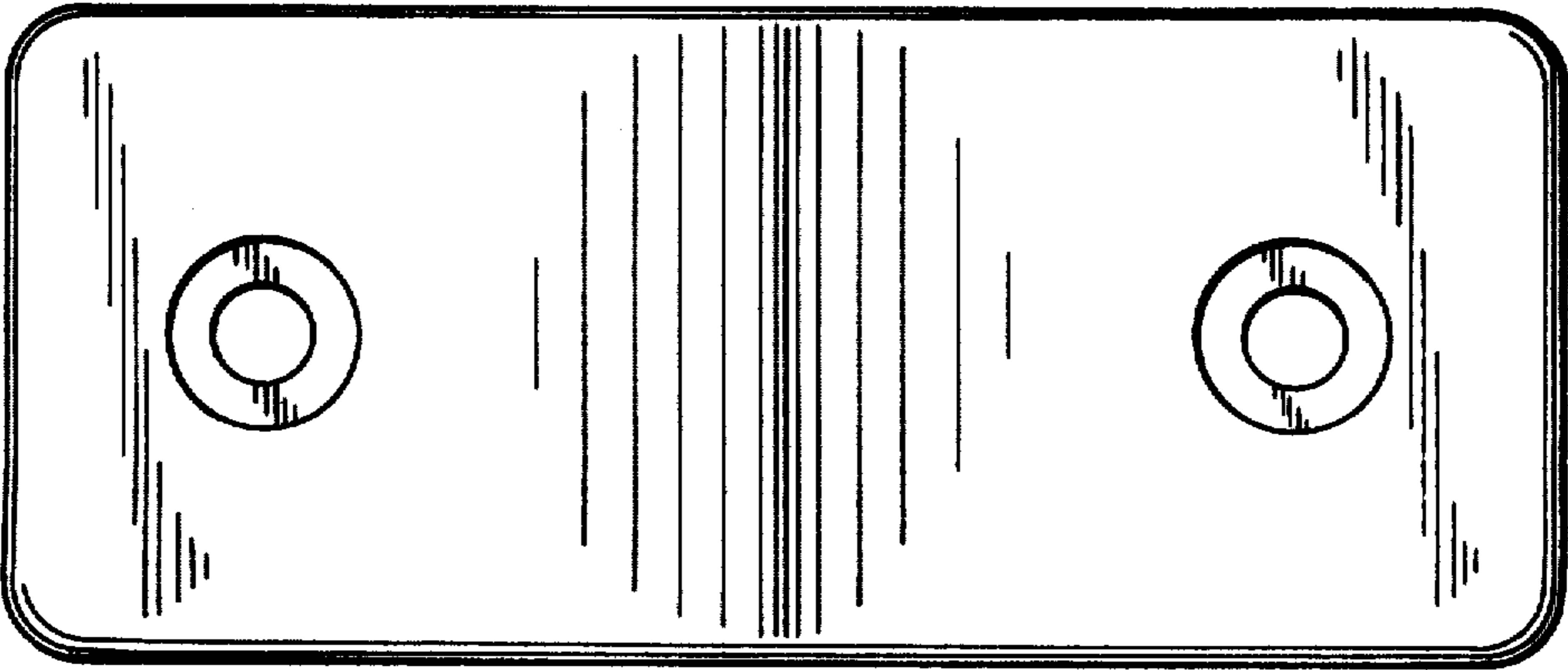


FIG. 5

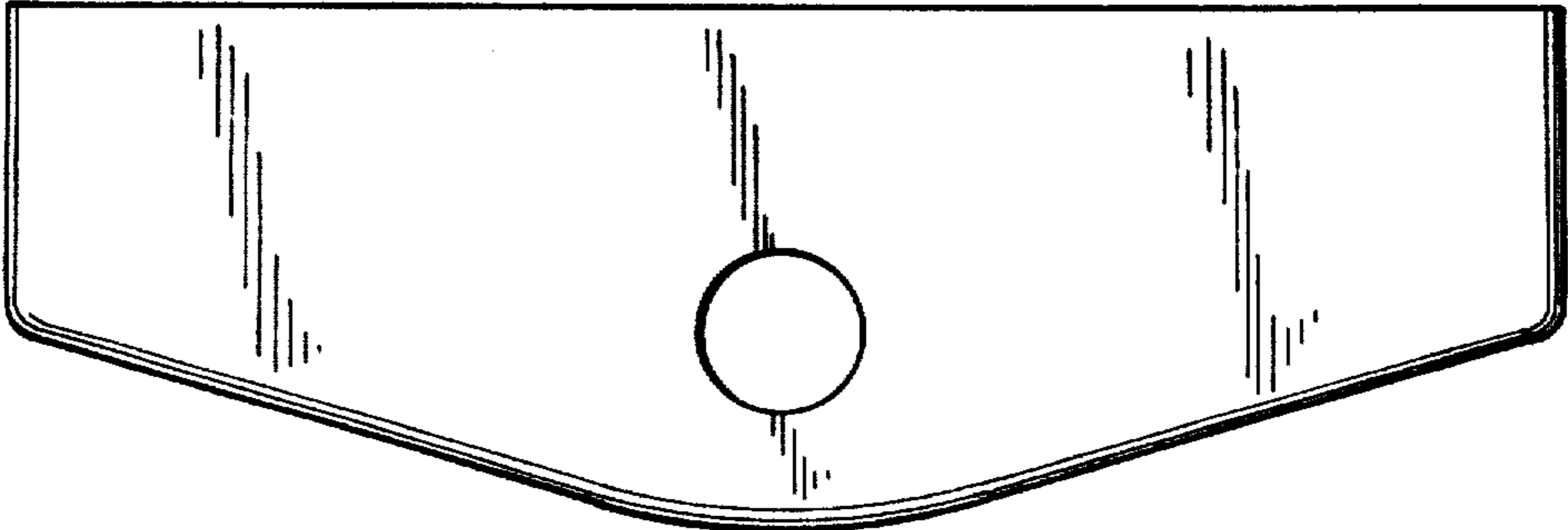


FIG. 6

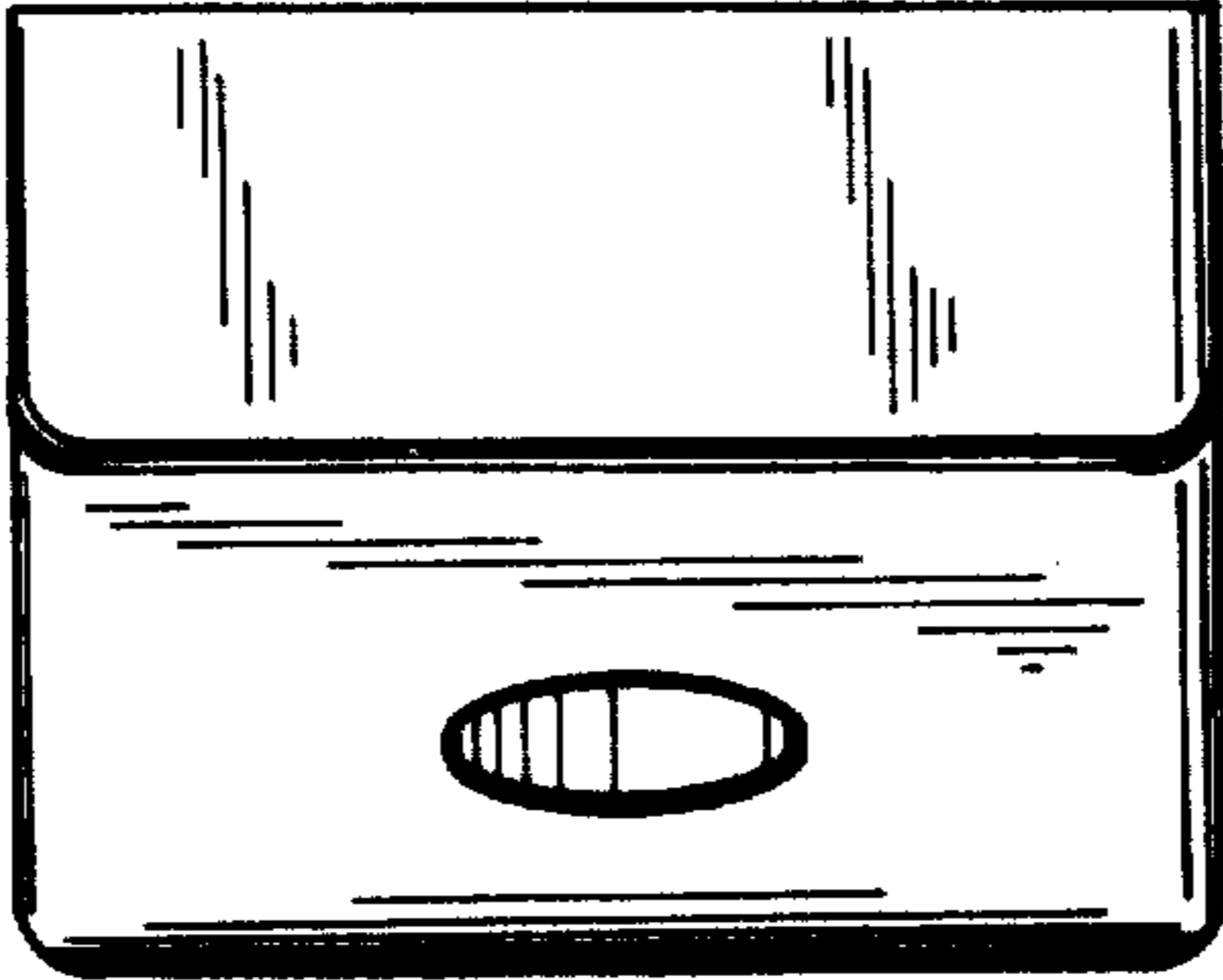


FIG. 7

