

[54] BAR SUPPORT BRACKET

[76] Inventors: Sidney J. Shames, 57 Holly Pl., Briarcliff Manor, N.Y. 10510; Harold Shames, 5 Agnes Cir., Ardsley, N.Y. 10502

[**] Term: 14 Years

[21] Appl. No.: 309,680

[22] Filed: Oct. 8, 1981

[51] Int. Cl. D23-02

[52] U.S. Cl. D6/103

[58] Field of Search D6/86, 97, 99, 103; 248/251, 359, 235; 206/443; 211/90, 126, 134

[56] References Cited

U.S. PATENT DOCUMENTS

D. 163,444 5/1951 Crook D6/103

D. 256,865 9/1980 Crowe D6/103

Primary Examiner—Wallace R. Burke

Assistant Examiner—Suzanne N. Gitlin
Attorney, Agent, or Firm—Norman Lettvin

[57] CLAIM

The ornamental design for a bar support bracket, as shown and described.

DESCRIPTION

FIG. 1 is a perspective view of the bar support bracket, showing our new design;

FIG. 2 is a top plan view thereof;

FIG. 3 is a side elevational view thereof taken looking from the left of FIG. 2;

FIG. 4 is a front elevational view thereof;

FIG. 5 is a side elevational view thereof taken looking from the right of FIG. 2; and

FIG. 6 is a side elevational view, showing a second embodiment of the design of FIG. 1 the only difference being in the extended end of the bracket.

The shading in the views is intended to represent a metallic reflective surface at the wall mounting end of the bracket as contrasted with the transparent surfaces for the remainder of the bracket.

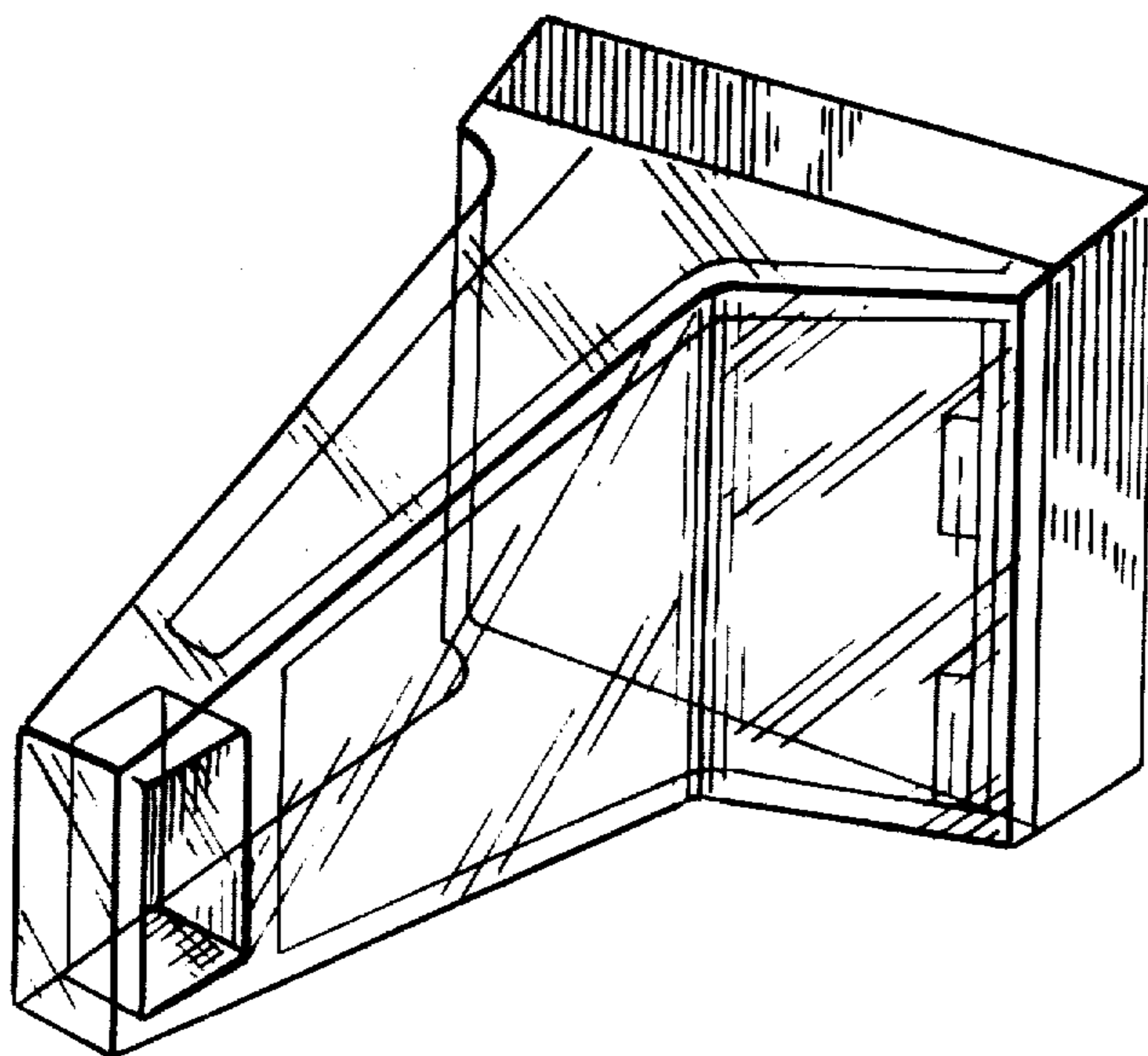


FIG. 1

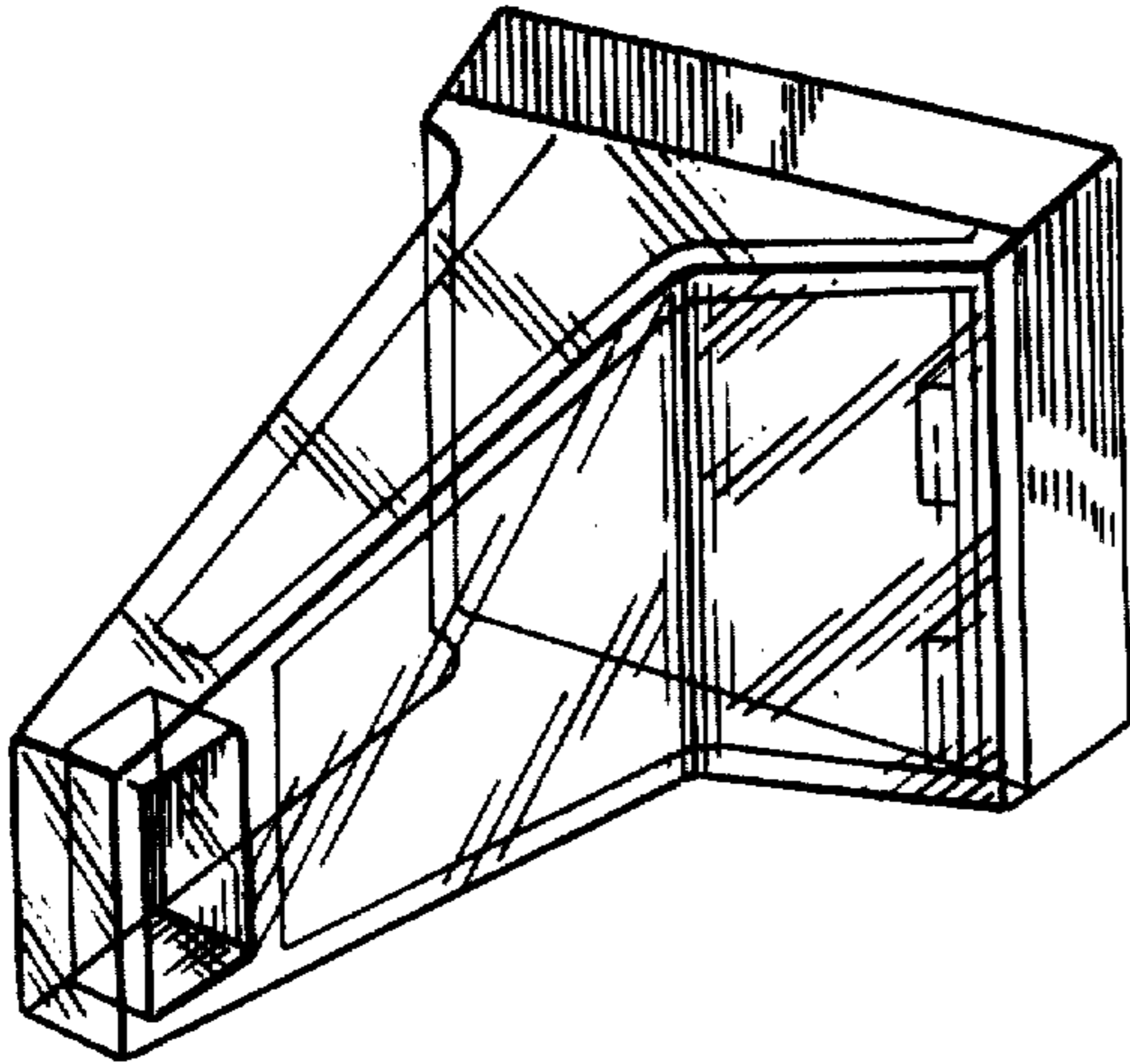


FIG. 2

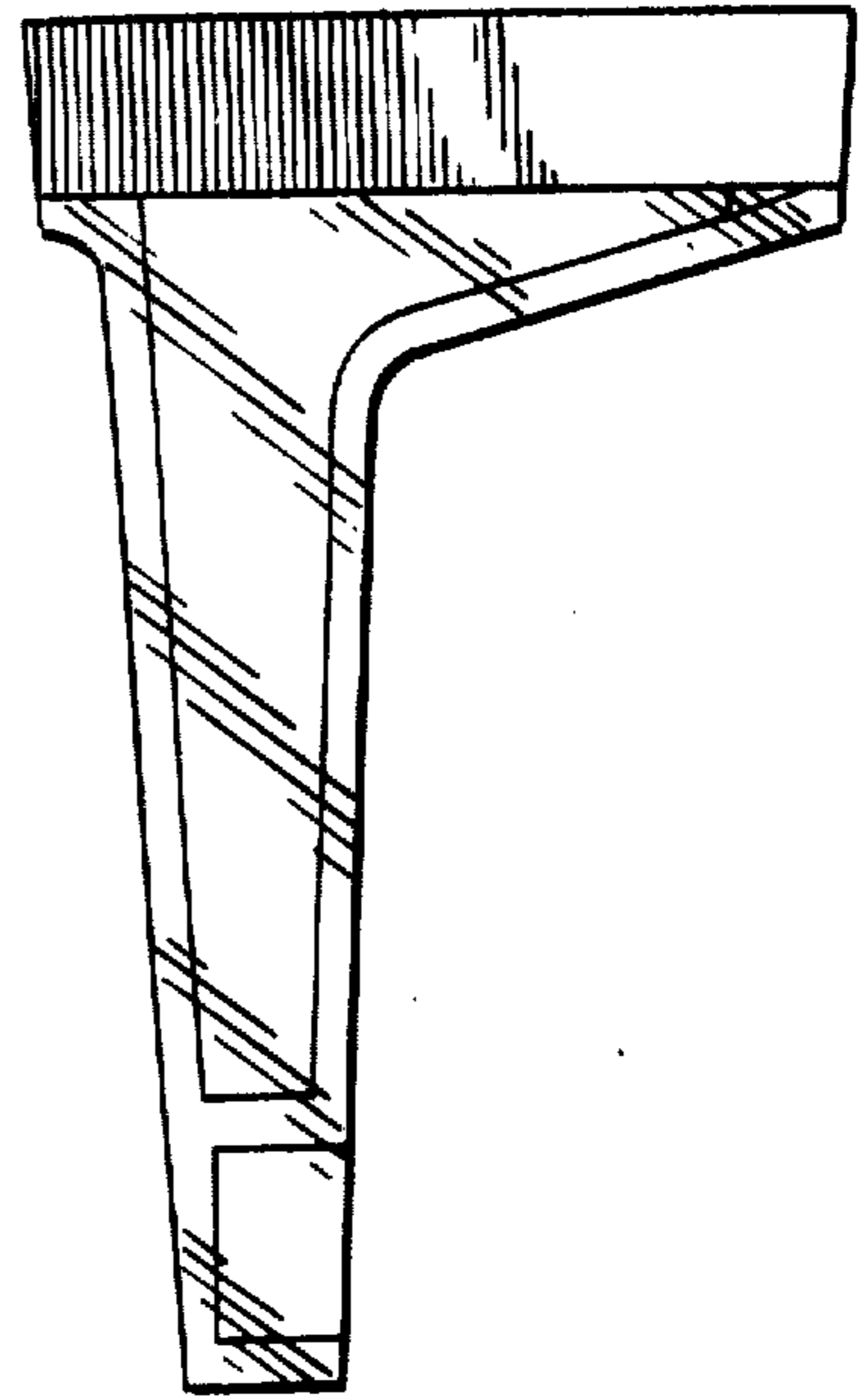


FIG. 3

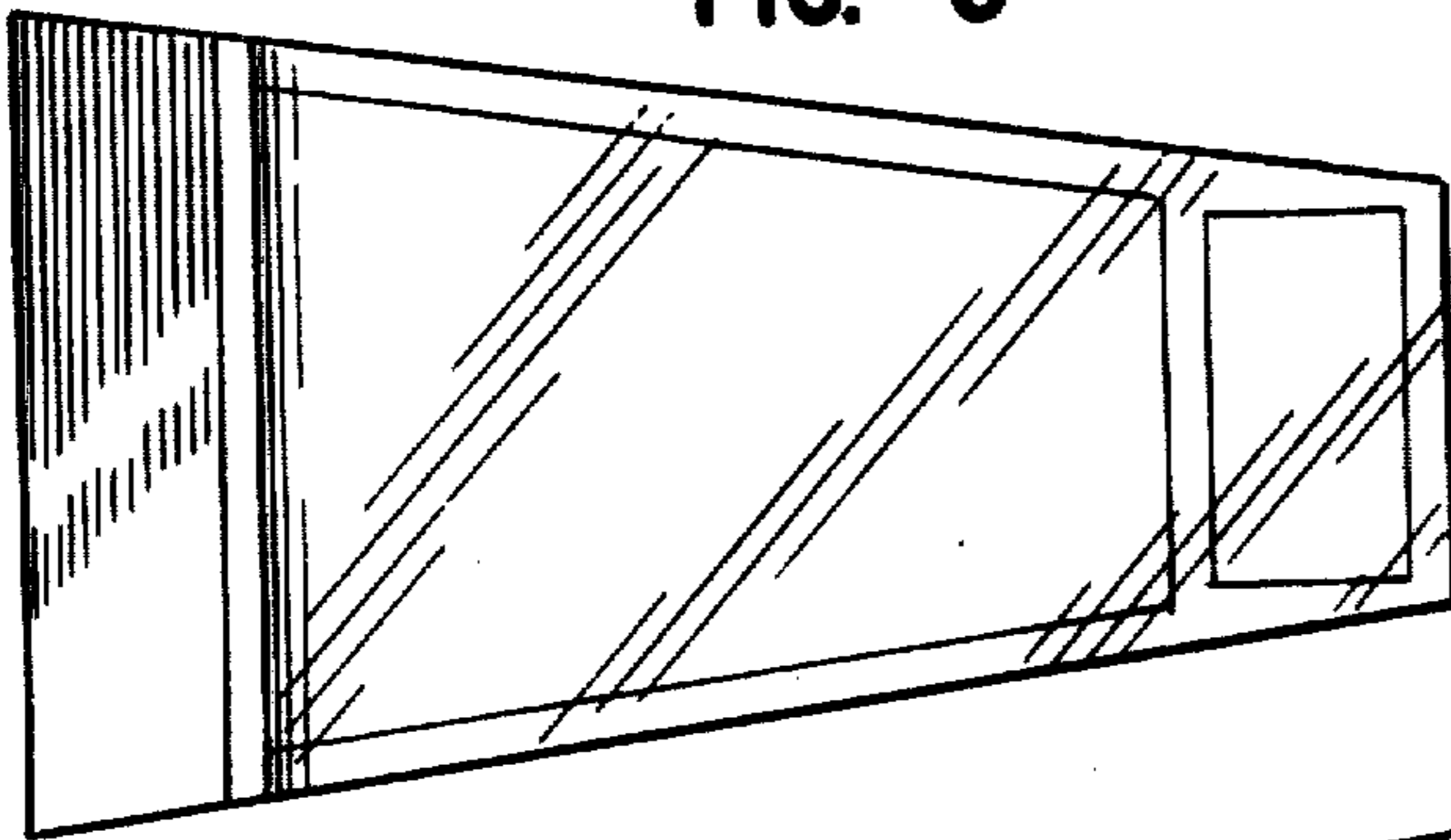


FIG. 4

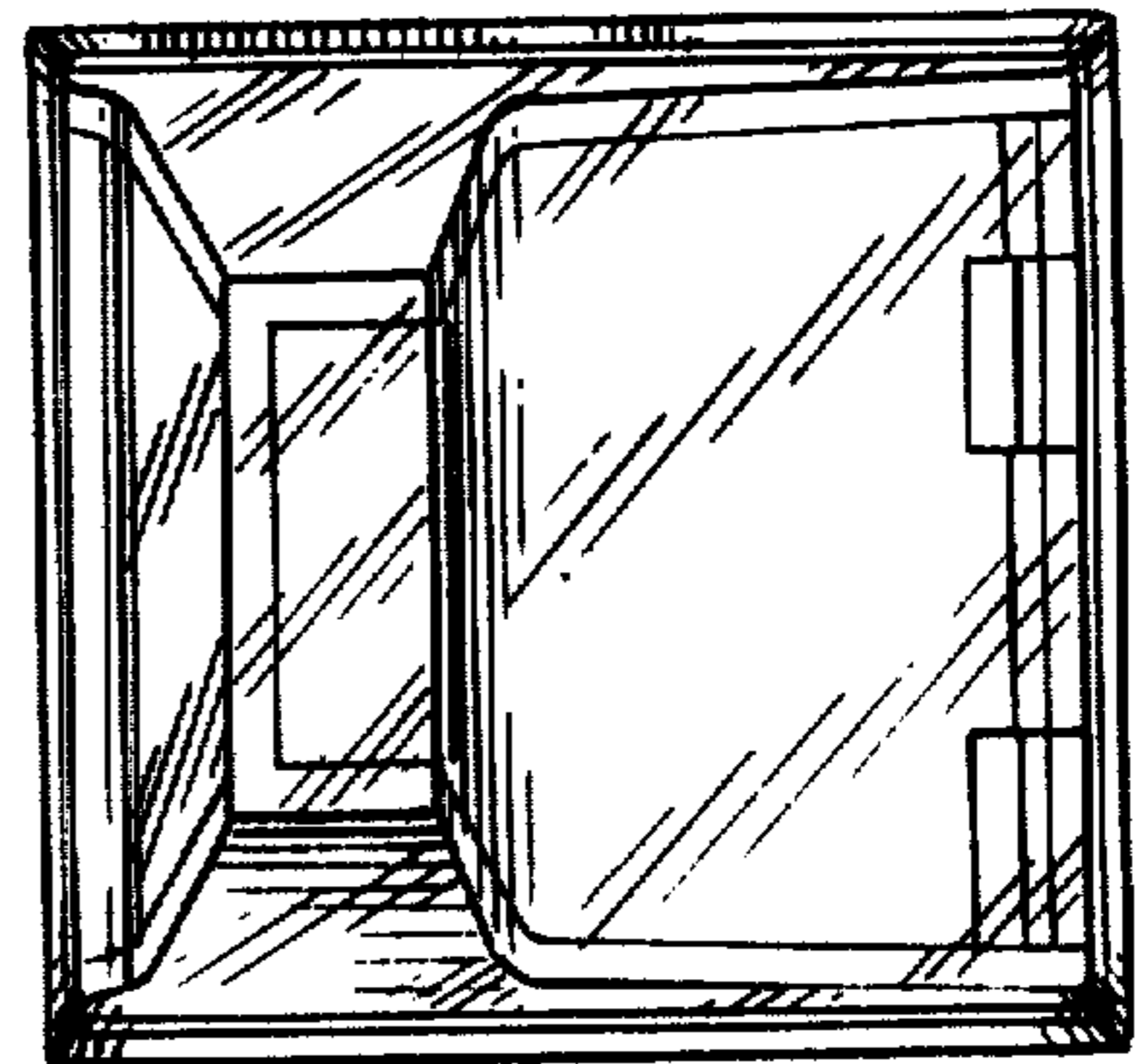


FIG. 6

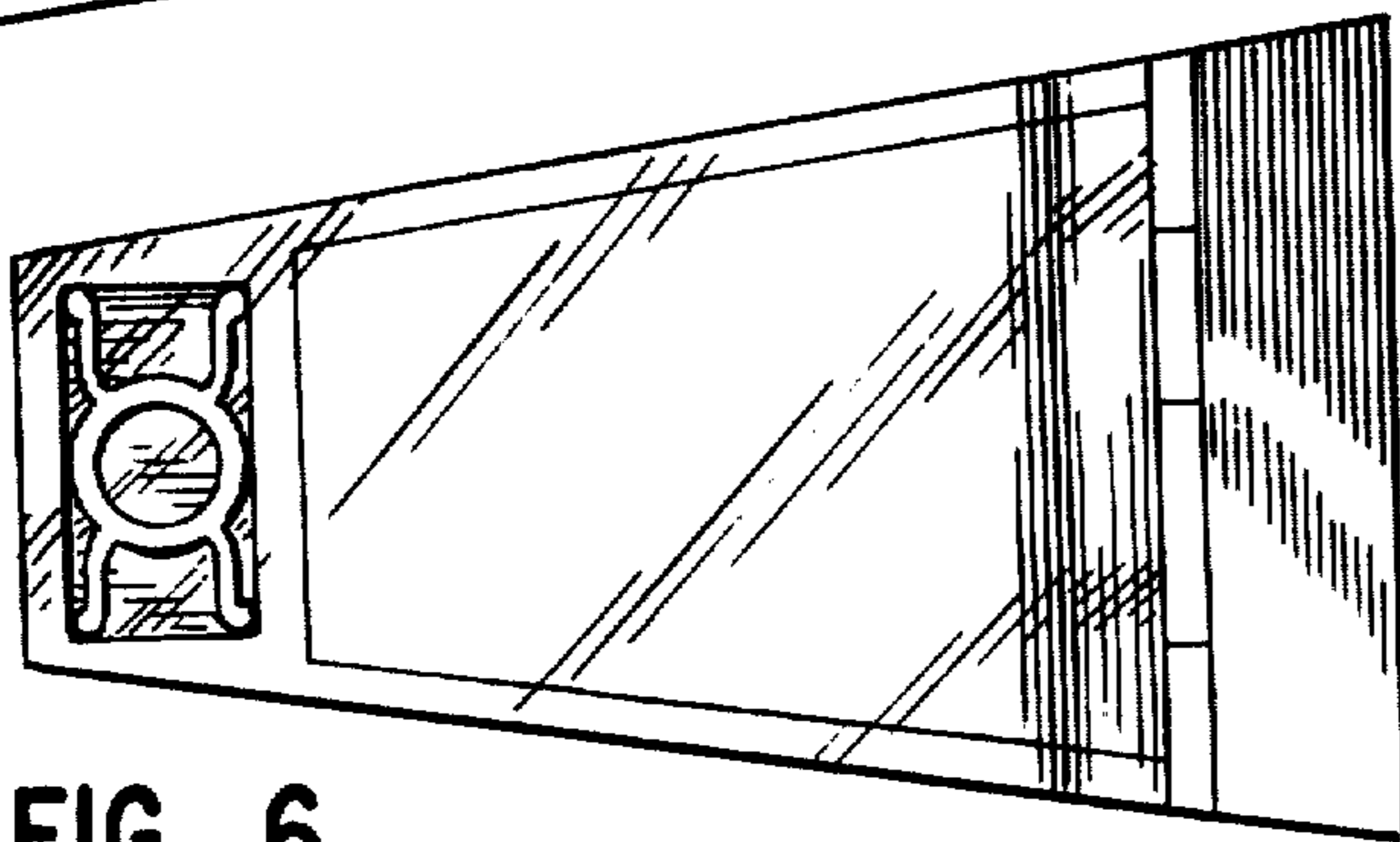


FIG. 5

