

[54] TOWEL RING FIXTURE

[76] Inventors: Sidney J. Shames, 57 Holly Pl., Briarcliff Manor, N.Y. 10510; Harold Shames, 5 Agnes Cir., Ardsley, N.Y. 10502

[\*\*] Term: 14 Years

[21] Appl. No.: 309,674

[22] Filed: Oct. 8, 1981

[51] Int. Cl. .... D23-02

[52] U.S. Cl. .... D6/99

[58] Field of Search ..... D6/89, 99, 103, 113, D6/119; 211/87; 248/259, 360; 206/443

[56] References Cited

U.S. PATENT DOCUMENTS

- D. 222,088 9/1971 Clayton ..... D6/99
- D. 238,035 12/1975 Tegner ..... D6/99
- D. 254,460 3/1980 Tegner ..... D6/99
- D. 263,182 3/1982 Thompson ..... D6/99

OTHER PUBLICATIONS

Design, Thing/Seen, 11/1979, p. 21, in lower right hand corner-Towel Ring.

Primary Examiner—Wallace R. Burke  
Assistant Examiner—Suzanne N. Gitlin  
Attorney, Agent, or Firm—Norman Lettvin

[57] CLAIM

The ornamental design for a towel ring fixture, as shown and described.

DESCRIPTION

FIG. 1 is a perspective view of a towel ring fixture showing our new design;

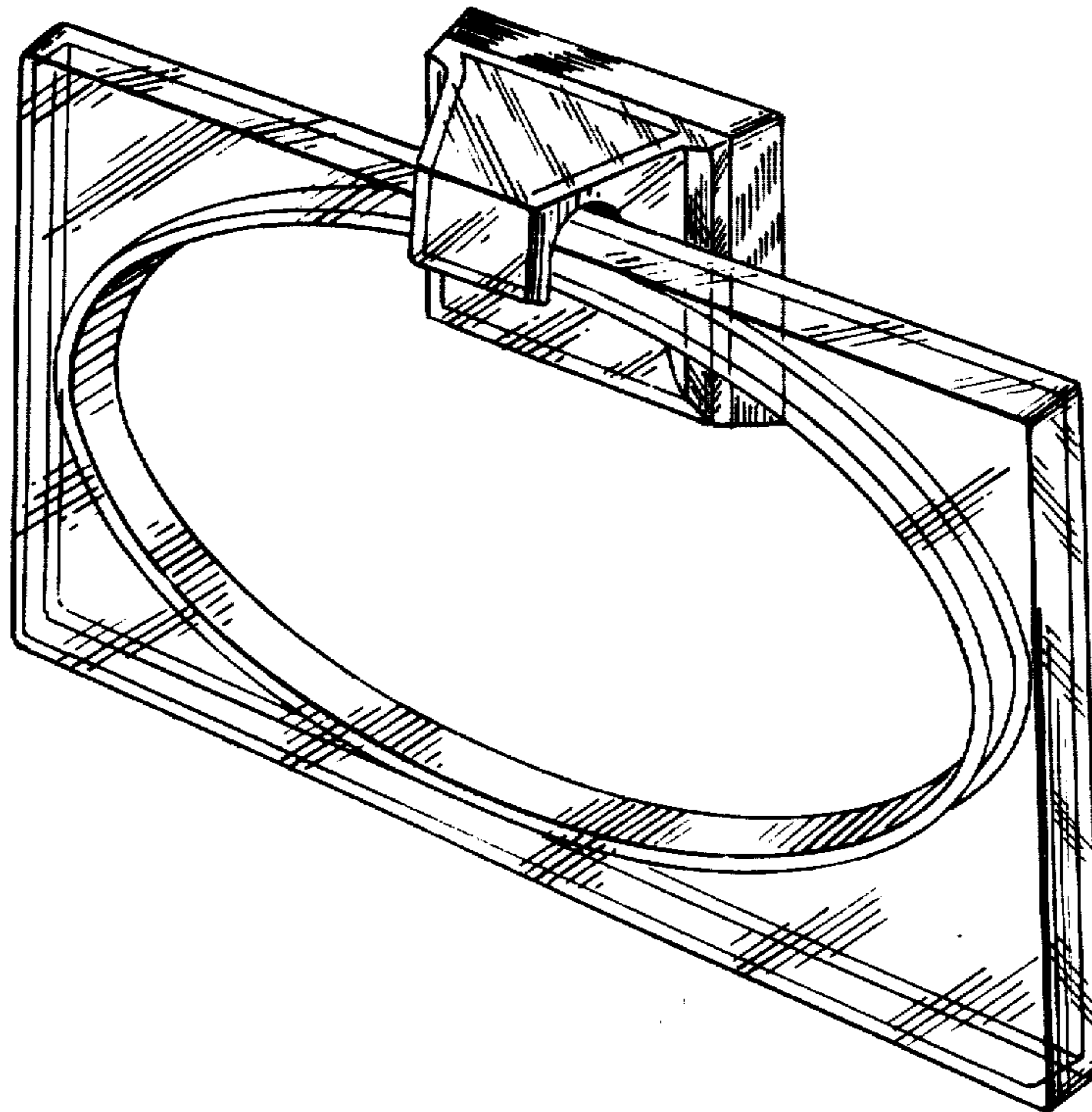
FIG. 2 is a front elevational view thereof;

FIG. 3 is a side elevational view thereof, taken looking from the left of FIG. 2

FIG. 4 is a top plan view thereof; and

FIG. 5 is a bottom plan view thereof.

The shading in the views is intended to represent a metallic reflective surface at the wall mounting end of the mounting bracket contrasted with the transparent surfaces for the remainder of the fixture.



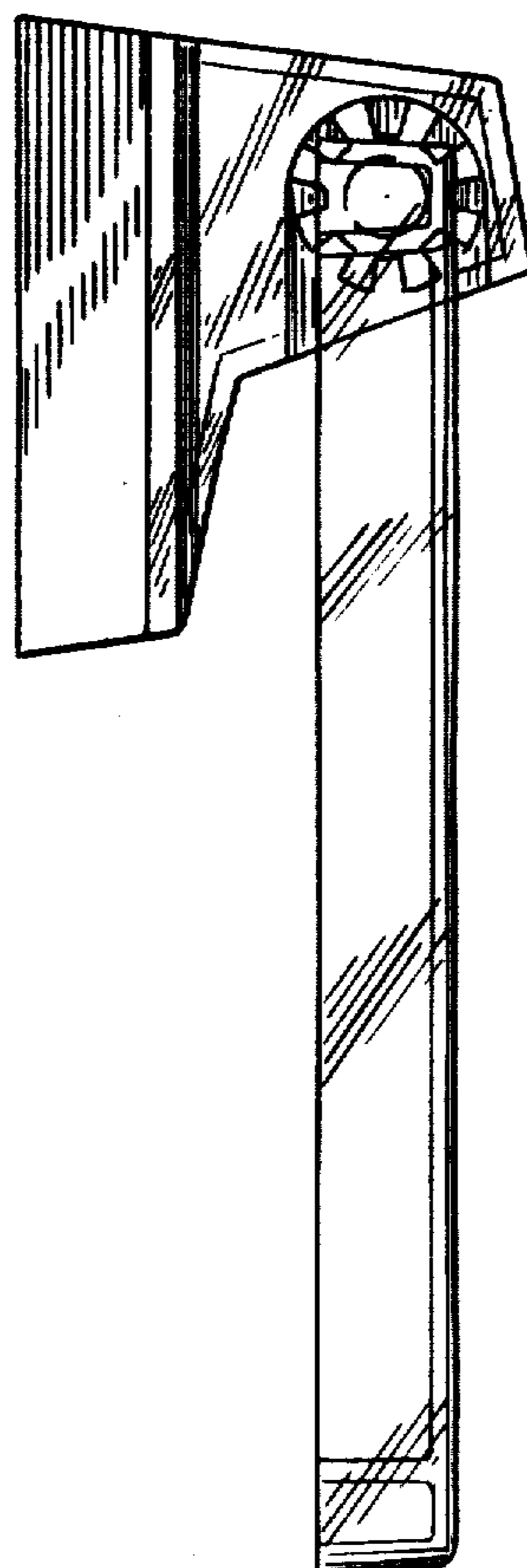
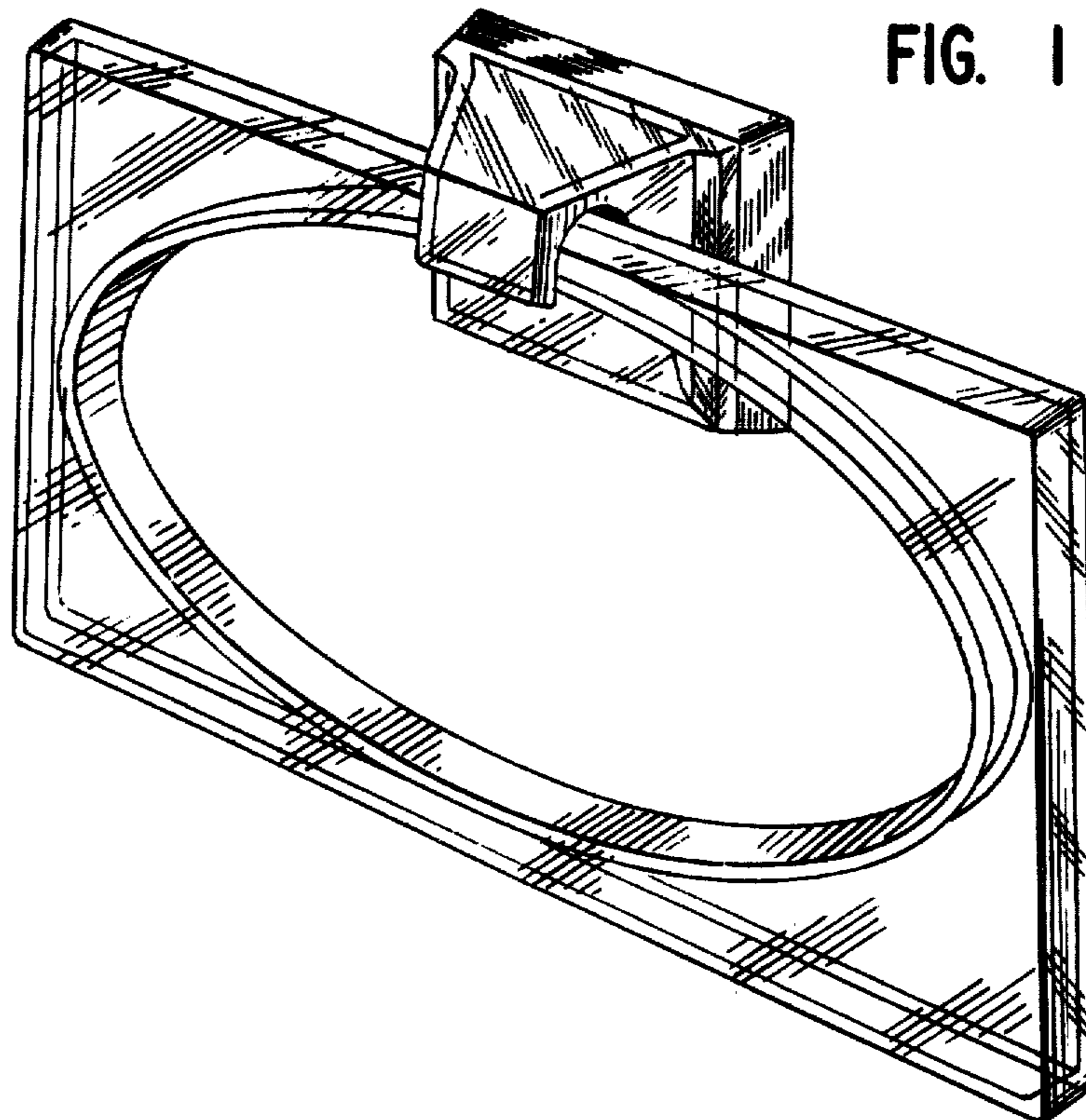


FIG. 2

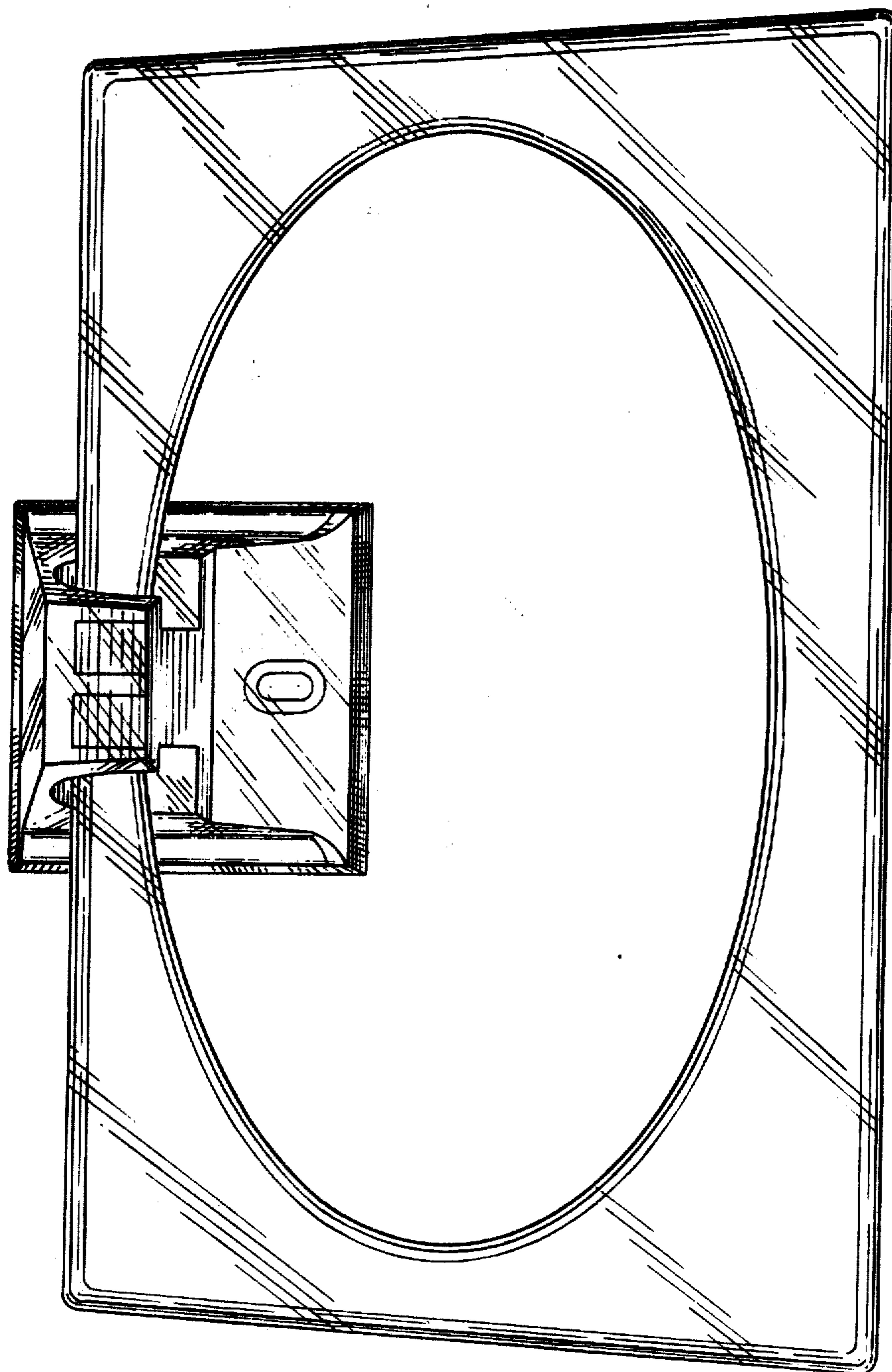


FIG. 4

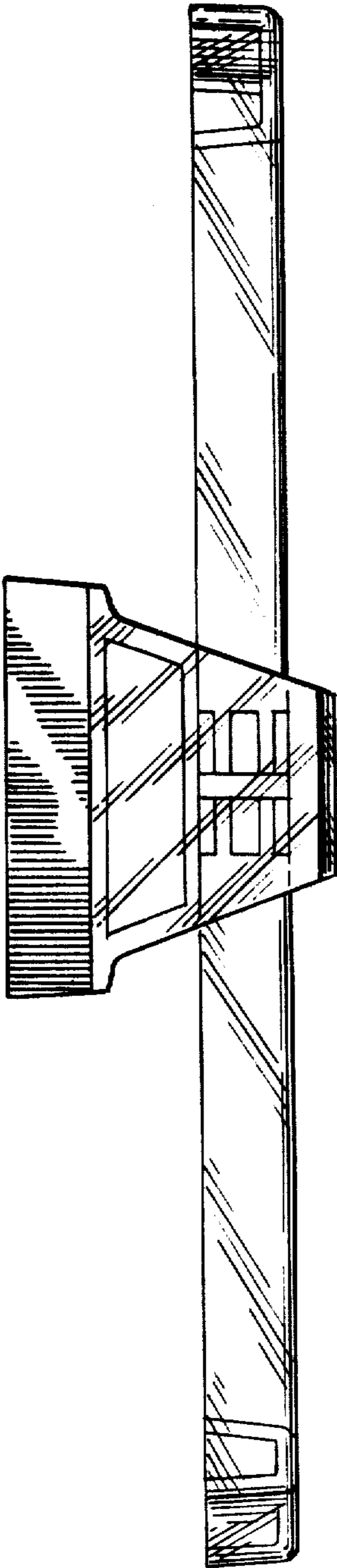


FIG. 5

