

[54] **STANDING HOLDER FOR TUMBLER AND TOOTHBRUSHES**

D. 228,271 9/1973 Tegner D6/92
D. 262,841 2/1982 Shames D6/92

[76] Inventors: **Sidney J. Shames**, 57 Holly Pl., Briarcliff Manor, N.Y. 10510; **Harold Shames**, 5 Agnes Cir., Ardsley, N.Y. 10502

Primary Examiner—Wallace R. Burke
Assistant Examiner—Suzanne N. Gitlin
Attorney, Agent, or Firm—Norman Lettvin

[**] Term: 14 Years

[21] Appl. No.: 309,838

[22] Filed: Oct. 8, 1981

[51] Int. Cl. D23—02

[52] U.S. Cl. D6/92

[58] Field of Search D6/92, 91, 93, 94; 211/70, 71, 88, 87, 65, 66, 126; 206/362, 372; 248/110, 111; D7/70

[57] **CLAIM**

The ornamental design for a standing holder for tumbler and toothbrushes, as shown and described.

DESCRIPTION

FIG. 1 is a perspective view of a standing holder for tumbler and toothbrushes, showing our new design; FIG. 2 is a top plan view thereof; FIG. 3 is a front elevational view thereof; and FIG. 4 is a left side elevational view thereof, taken looking from the left of FIGS. 2 and 3, the right side elevational view, which is not shown, being a mirror image of this FIG. 4.

The shading in the views is intended to represent a metallic reflective surface on the lower section of the holder as contrasted with the transparent surface for the remainder of the holder.

[56] **References Cited**

U.S. PATENT DOCUMENTS

D. 150,761 8/1948 Gardner D6/90
D. 197,760 3/1964 Schreckengost D6/92

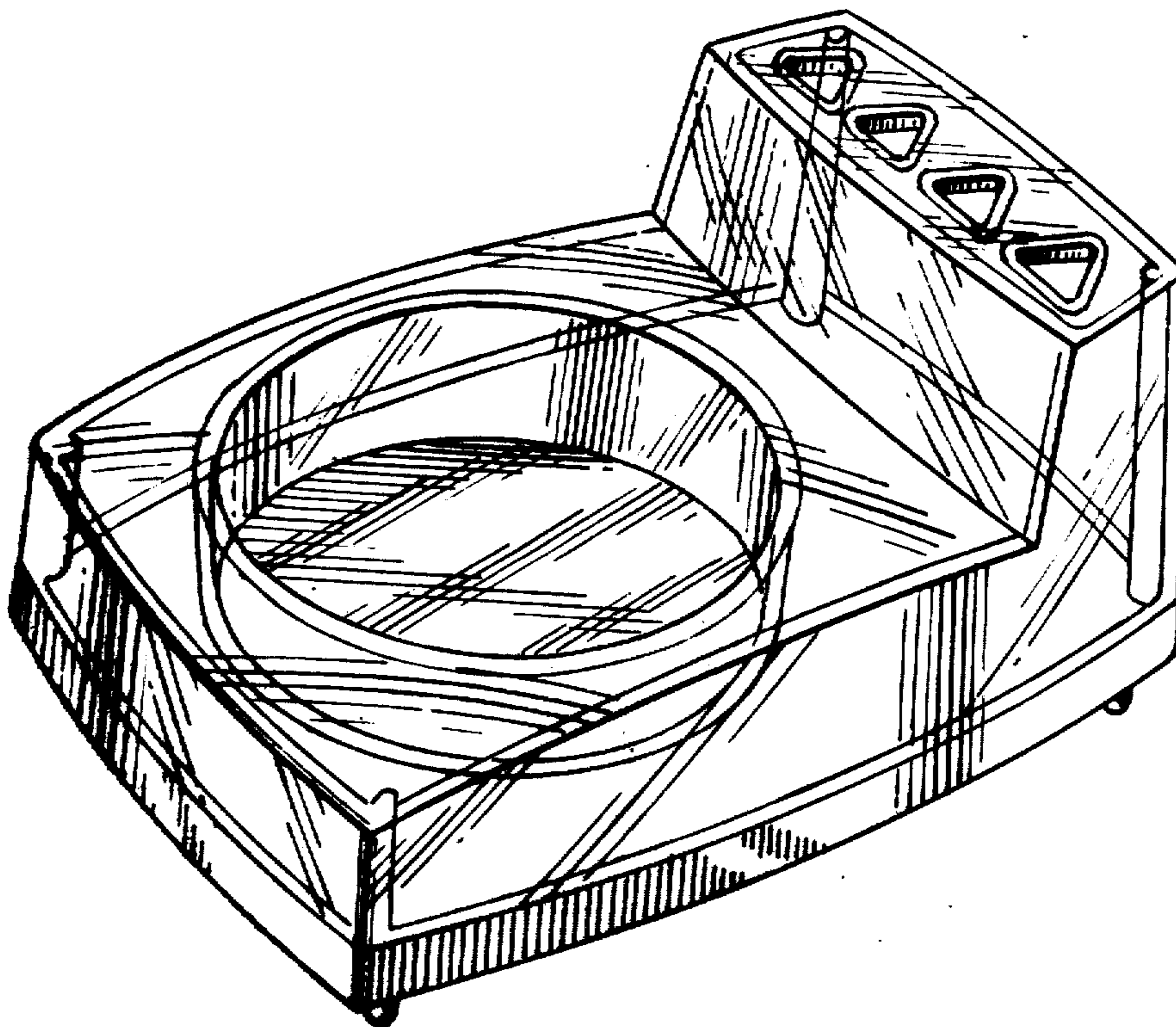


FIG. 1

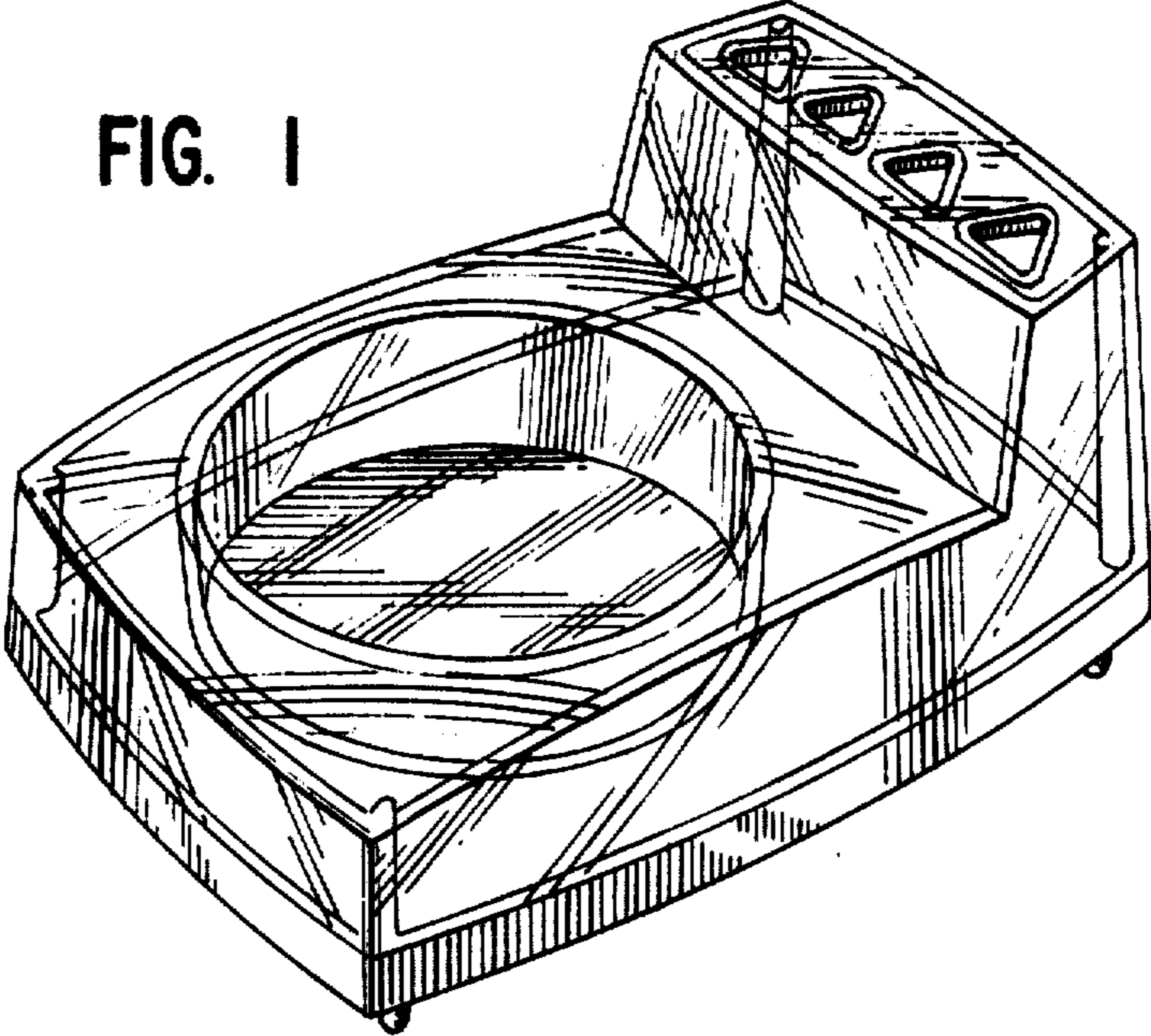


FIG. 2

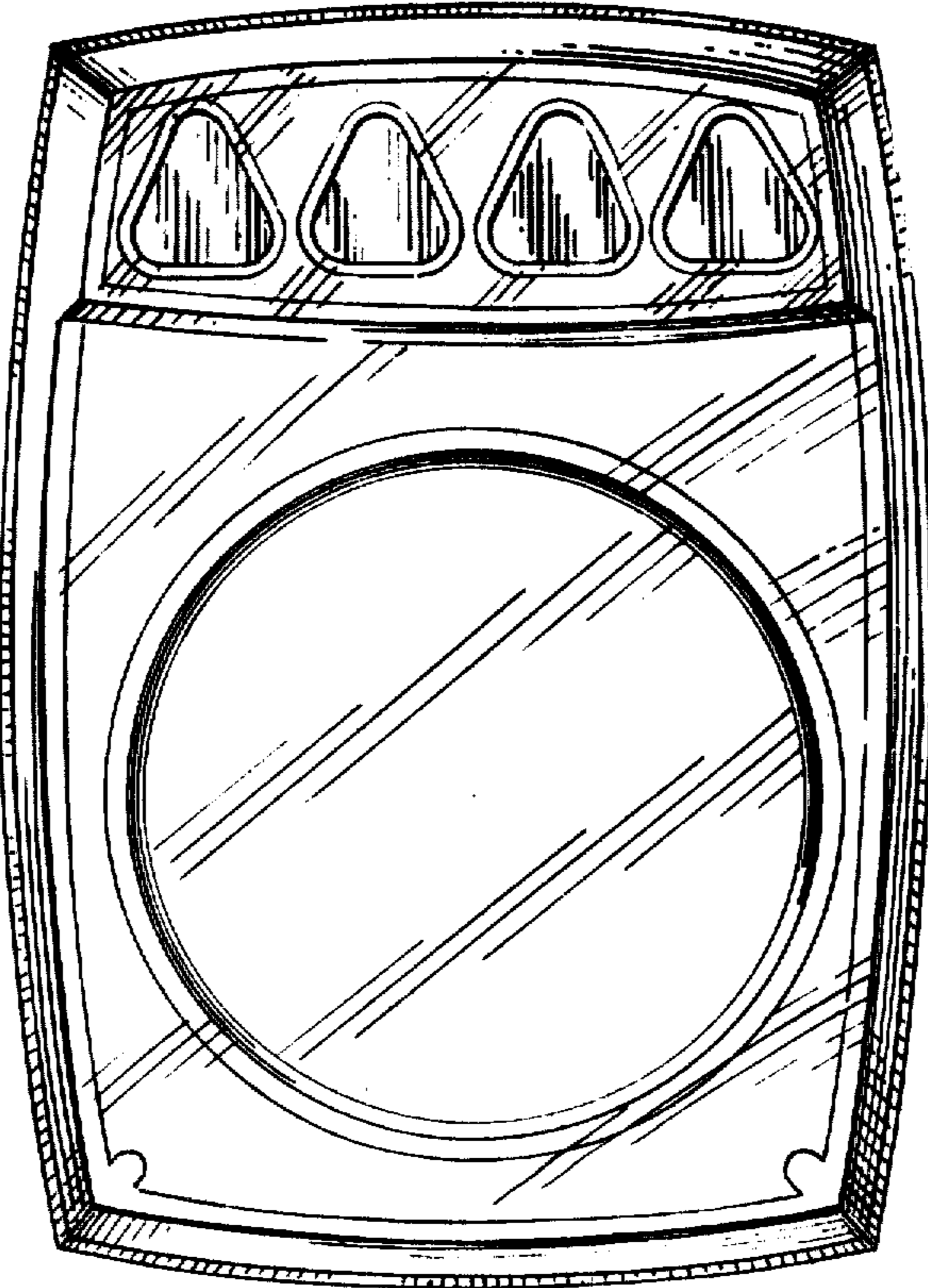


FIG. 3

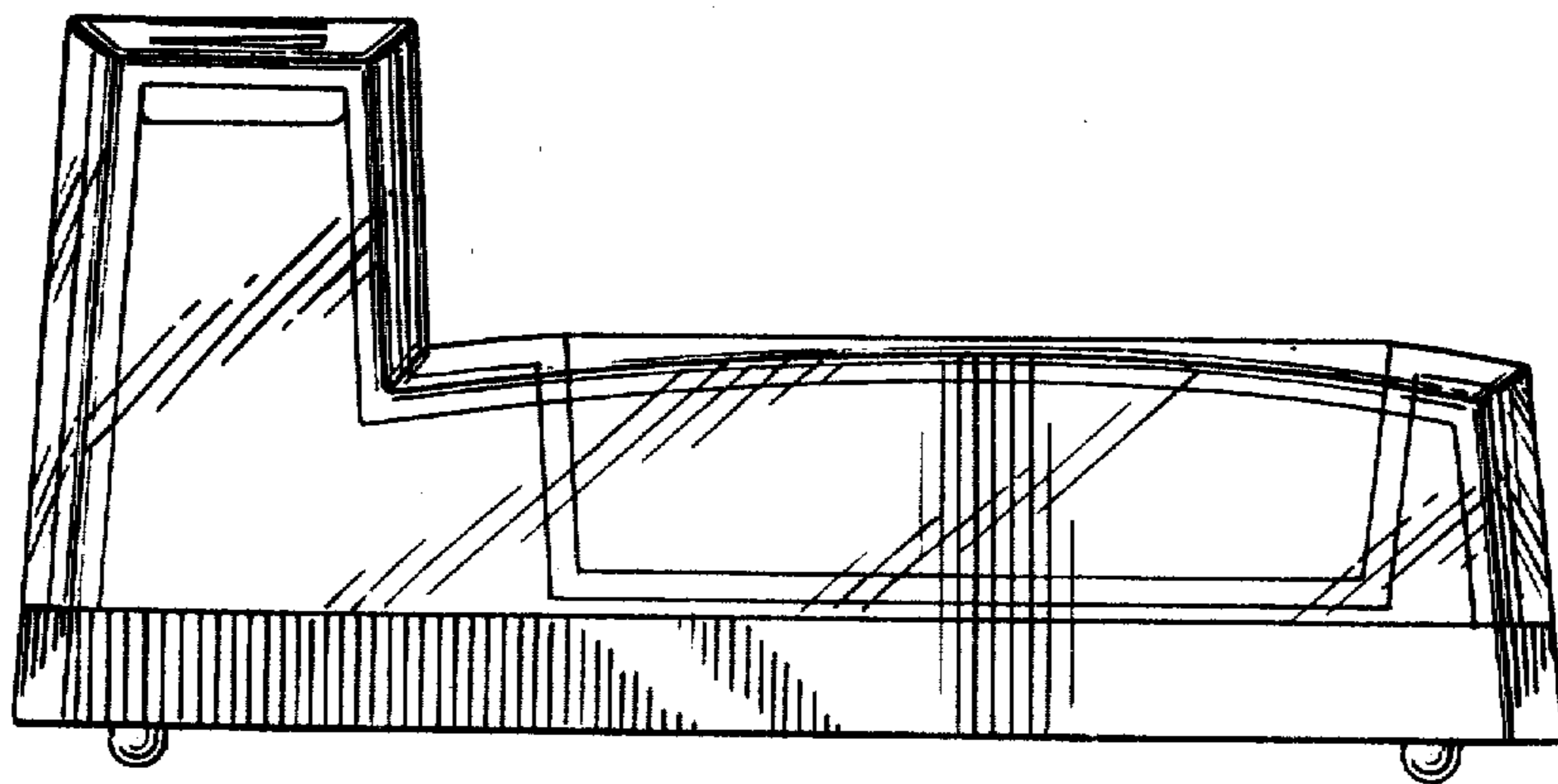
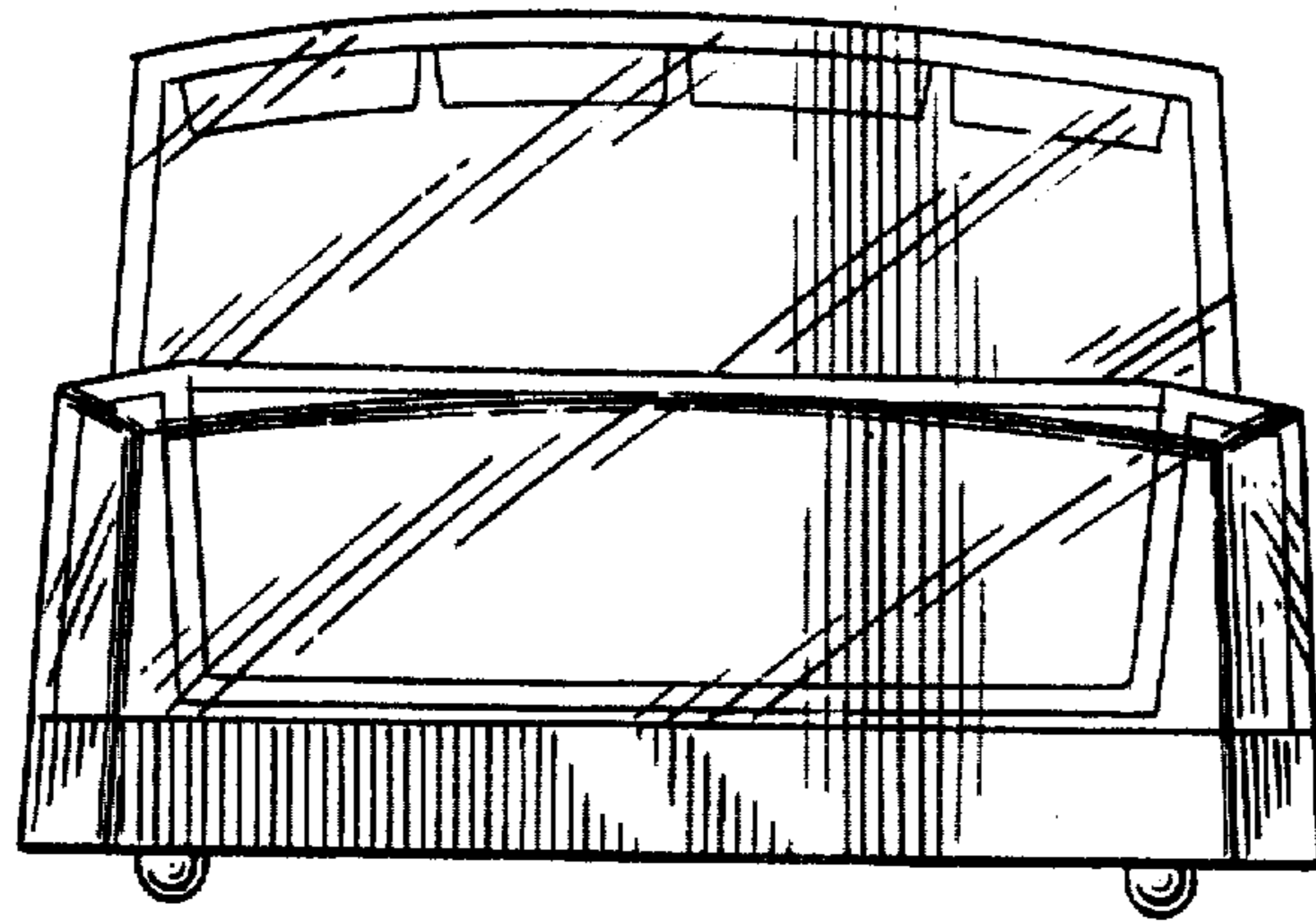


FIG. 4