

[54] SOAP DISH FIXTURE

[76] Inventors: Sidney J. Shames, 57 Holly Pl., Briarcliff Manor, N.Y. 10510; Harold Shames, 5 Agnes Cir., Ardsley, N.Y. 10502

[**] Term: 14 Years

[21] Appl. No.: 309,675

[22] Filed: Oct. 8, 1981

[51] Int. Cl. D23-03

[52] U.S. Cl. D6/90

[58] Field of Search D6/89, 90, 91, 92, 93, D6/94, 114; 211/65, 66, 70, 71, 88, 87; 206/77.1; 248/359, 360, 235

[56] References Cited

U.S. PATENT DOCUMENTS

- D. 150,761 8/1948 Gardner D6/90
- D. 154,643 7/1949 Simpson D6/90
- 2,489,543 11/1949 Sanford 211/88

OTHER PUBLICATIONS

Sweet's, 1972, vol. 9, 10.17 Bath Access., 10.17/M1, p. 21, No. 8008 Soap Dish.

Primary Examiner—Wallace R. Burke
Assistant Examiner—Suzanne N. Gitlin
Attorney, Agent, or Firm—Norman Lettvin

[57] CLAIM

The ornamental design for a soap dish fixture, as shown and described.

DESCRIPTION

FIG. 1 is a perspective view of a wall-mounted soap dish fixture, showing our new design; FIG. 2 is a top plan view thereof; FIG. 3 is a side elevational view thereof taken from the left of FIG. 2; and FIG. 4 is a front elevational view thereof. The shading in the views is intended to represent a metallic reflective surface at the wall mounting end of the fixture as contrasted with the transparent surface for the remainder of the fixture.

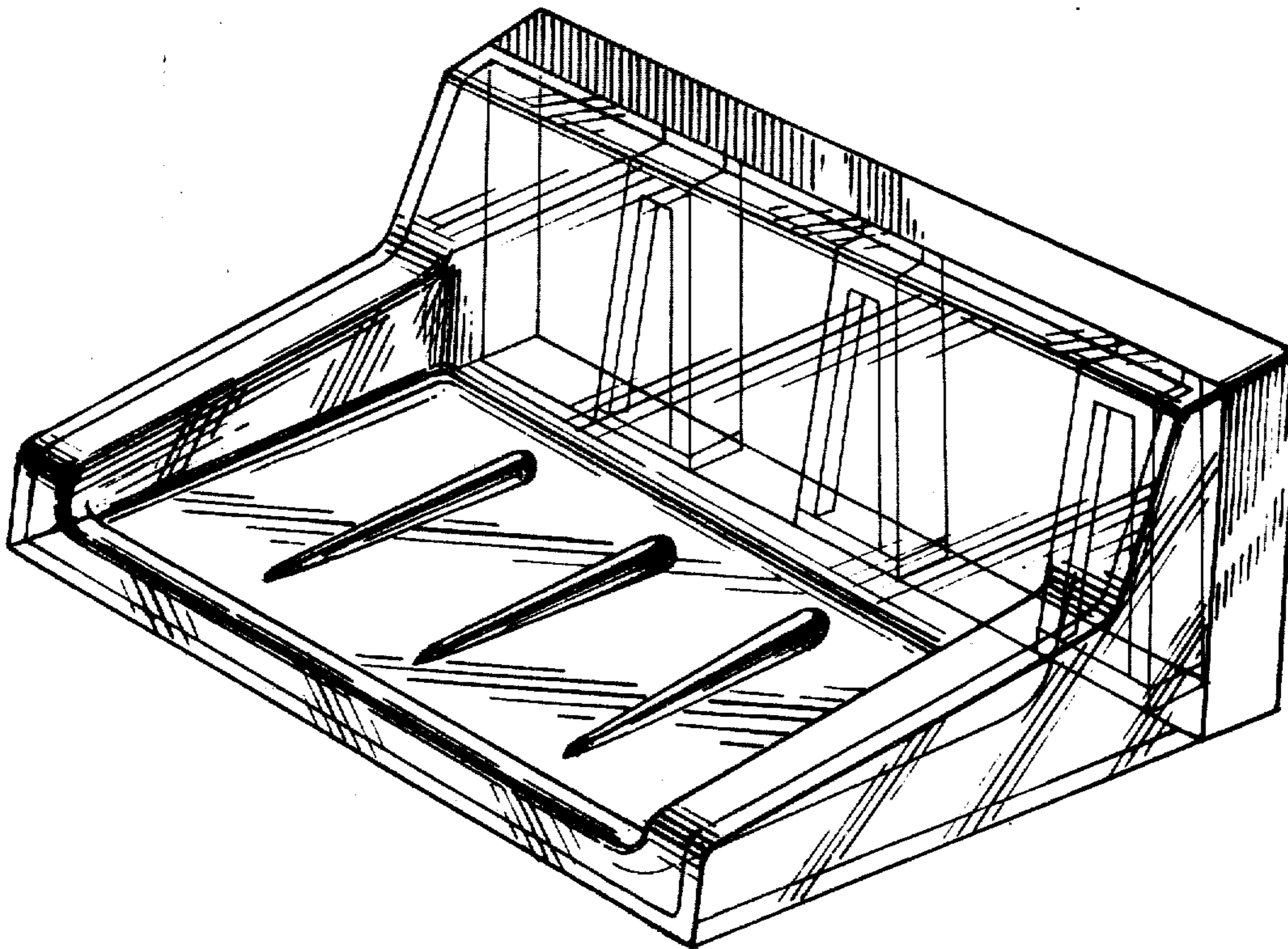


FIG. 1

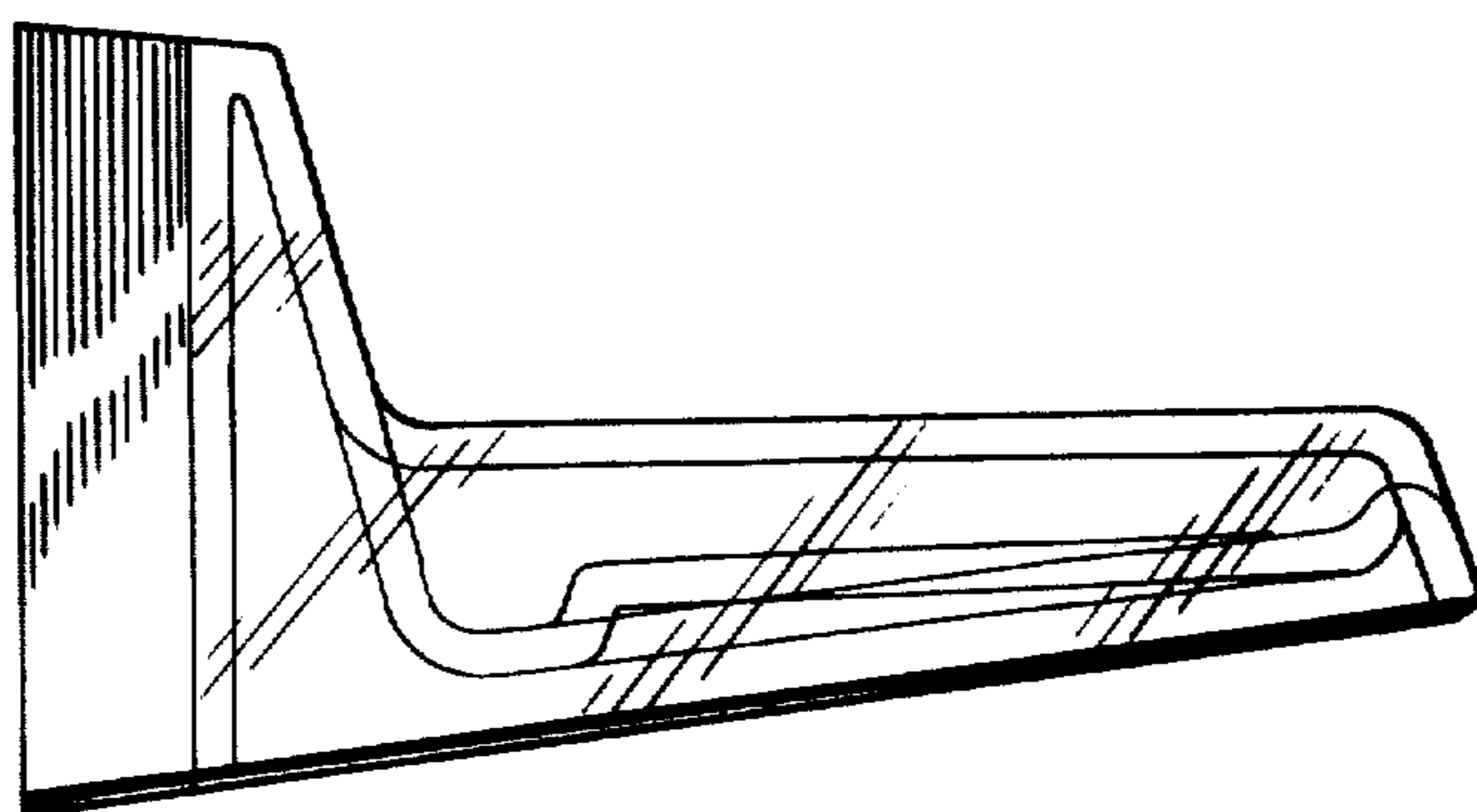
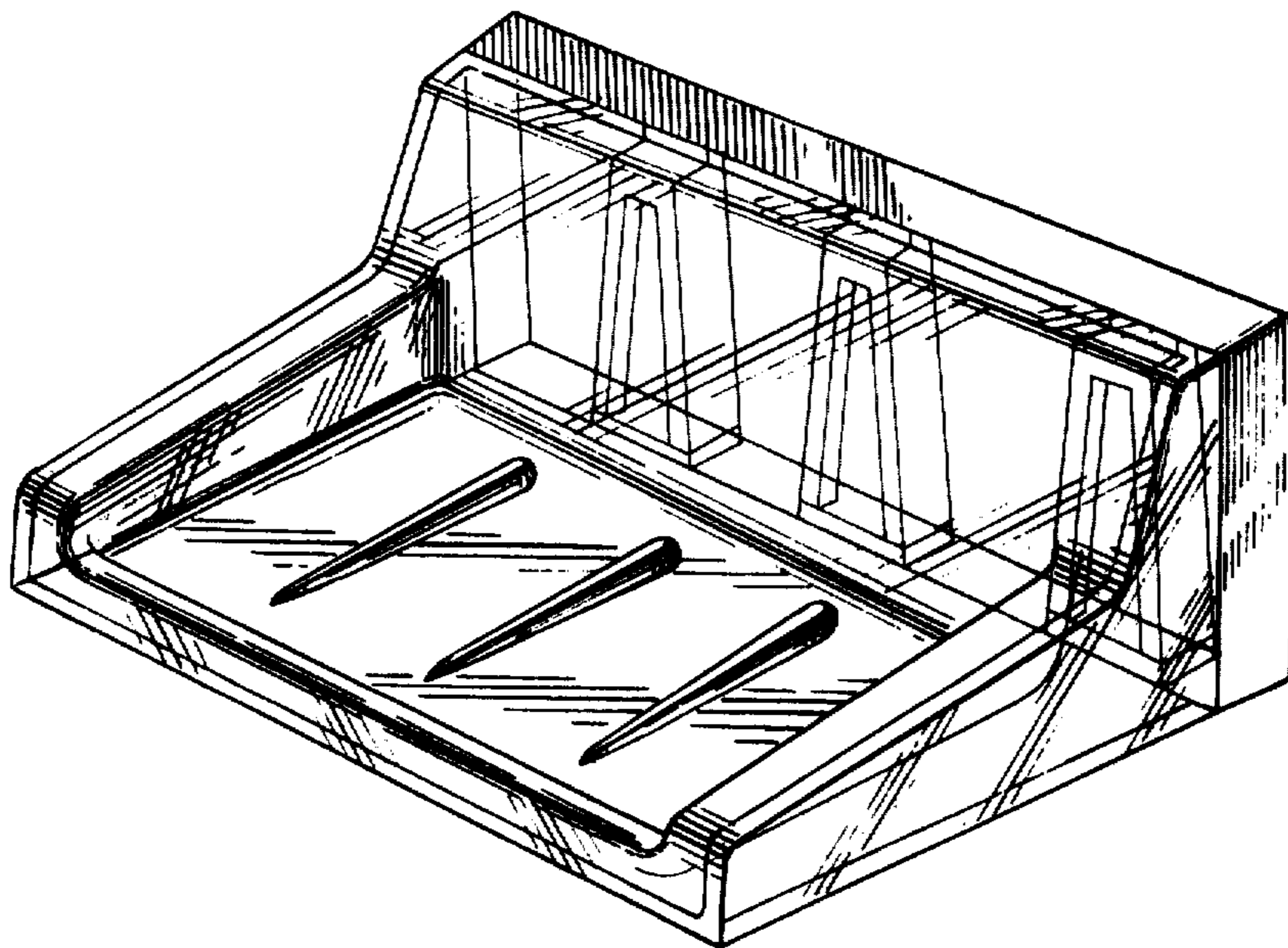


FIG. 3

FIG. 2

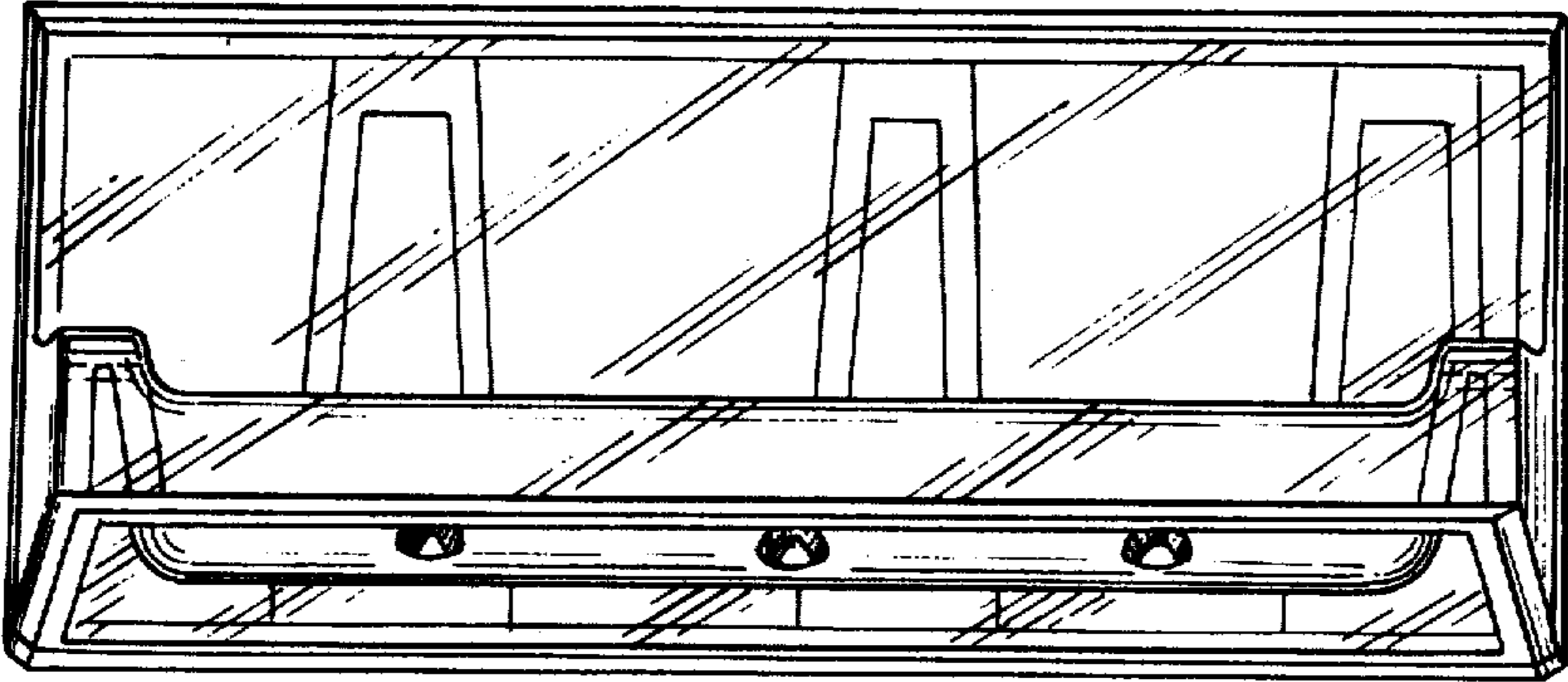
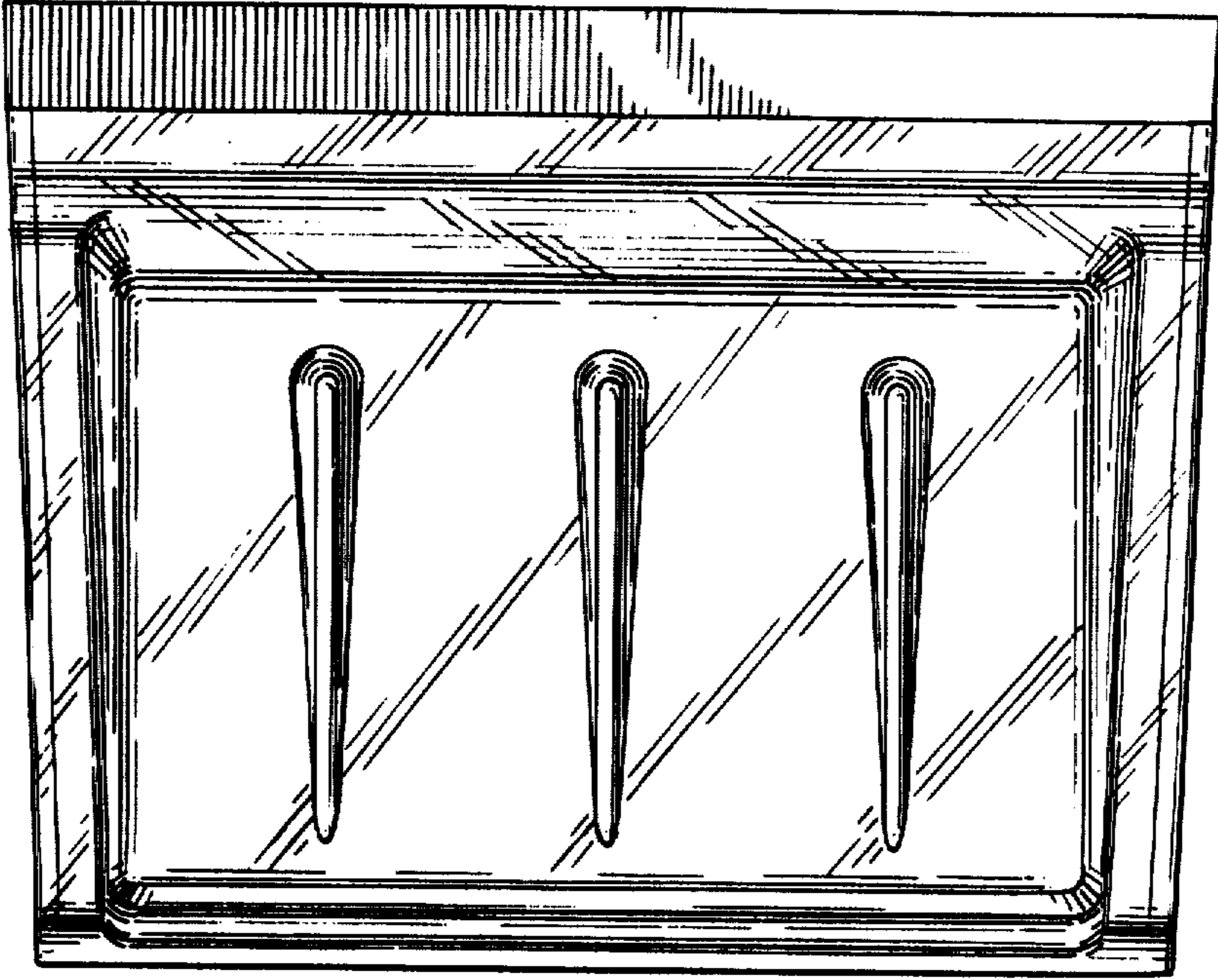


FIG. 4