

[54] CASSETTE TAPE HOLDER

[76] Inventor: James W. Barber, 301 E. Roy #25, Seattle, Wash. 98102

[**] Term: 14 Years

[21] Appl. No.: 118,645

[22] Filed: Feb. 4, 1980

[51] Int. Cl. D06-04

[52] U.S. Cl. D6/25; D3/35; D6/188

[58] Field of Search D6/85, 181, 184, 185, D6/186, 188, 189, 157, 114, 130, 132, 18, 20, 23, 24, 25, 27, 28; D3/35; 206/307, 309, 387; 211/40, 41, 58, 163, 166; 312/10, 11

[56] References Cited

U.S. PATENT DOCUMENTS

- D. 106,347 10/1937 Cozart et al. D6/28
- D. 210,295 2/1968 Treu D6/185 X

- D. 234,325 2/1975 Snyder D3/35
- 3,334,950 8/1967 Brownlee 312/10

FOREIGN PATENT DOCUMENTS

- 869253 5/1961 United Kingdom 211/163

Primary Examiner—Joel Stearman
Assistant Examiner—Carmen H. Vales
Attorney, Agent, or Firm—James E. Pittenger

[57] CLAIM

The ornamental design for a cassette tape holder, as shown and described.

DESCRIPTION

FIG. 1 is a perspective view of a cassette tape holder showing my new design, the broken line showing the outline of a cassette tape is for convenience of illustration only;

FIG. 2 is a side elevational view, the other side being a mirror image thereof; and

FIG. 3 is a top plan view, the bottom plan view being a mirror image thereof.

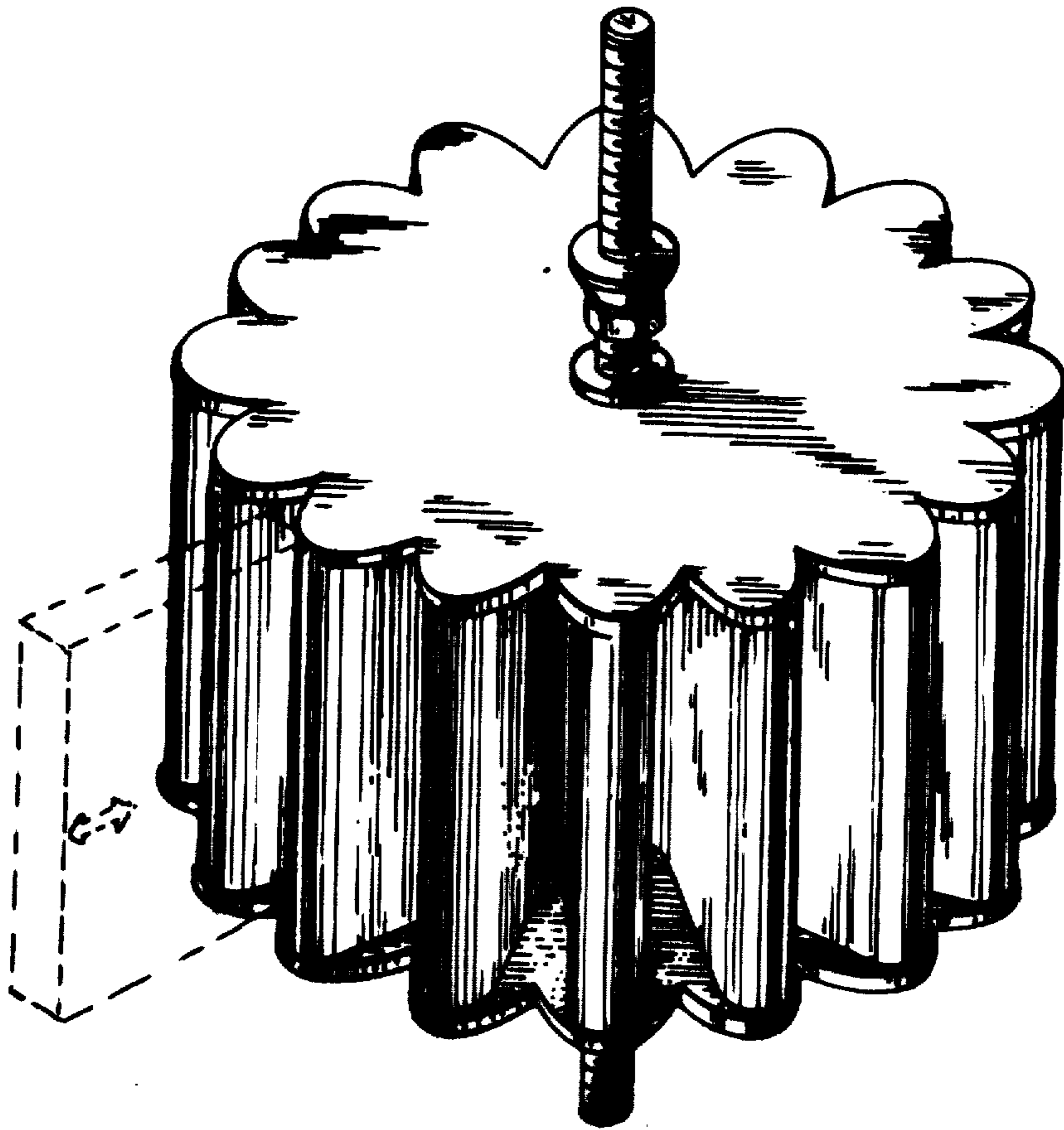


FIG. 1

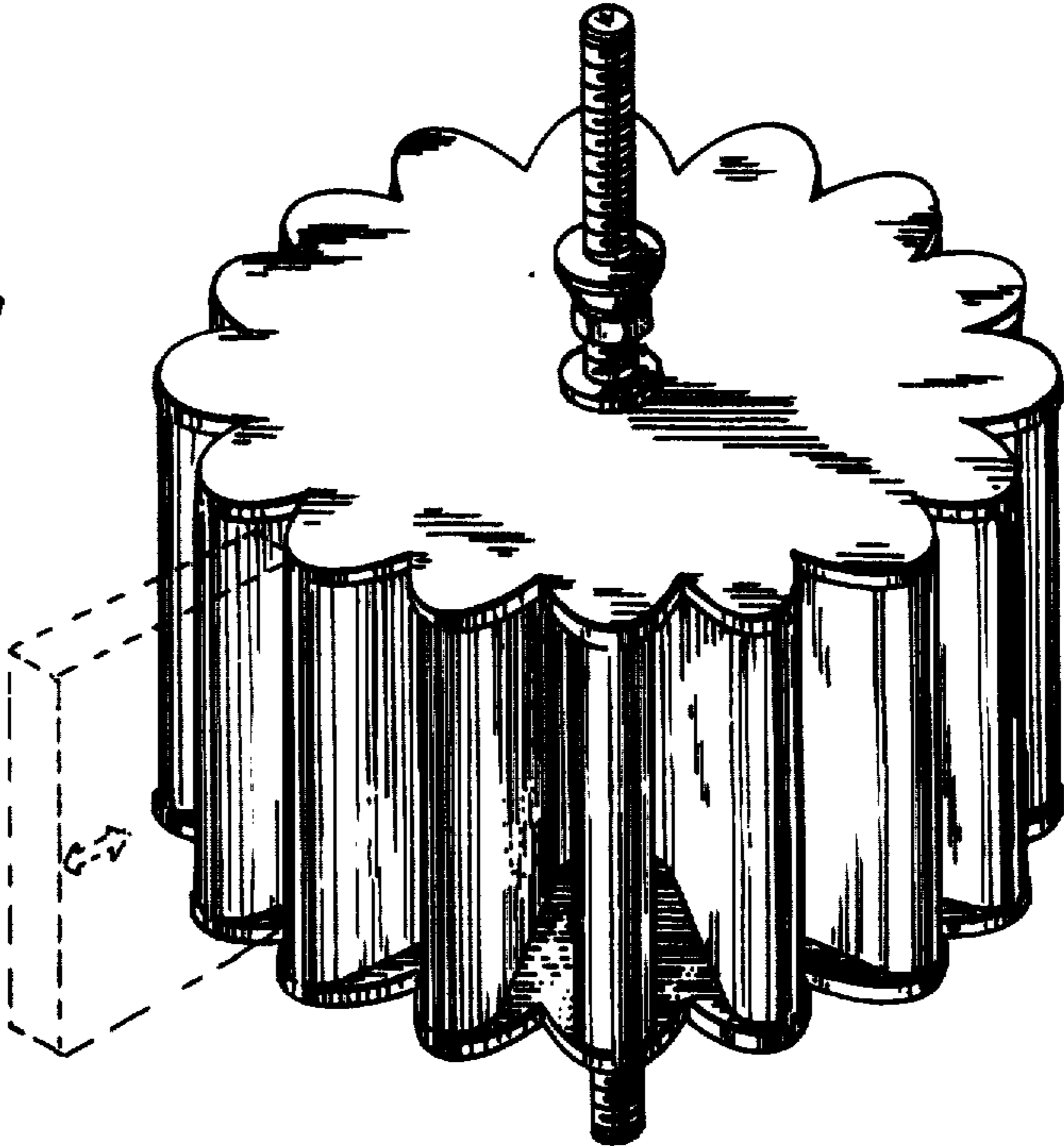


FIG. 2

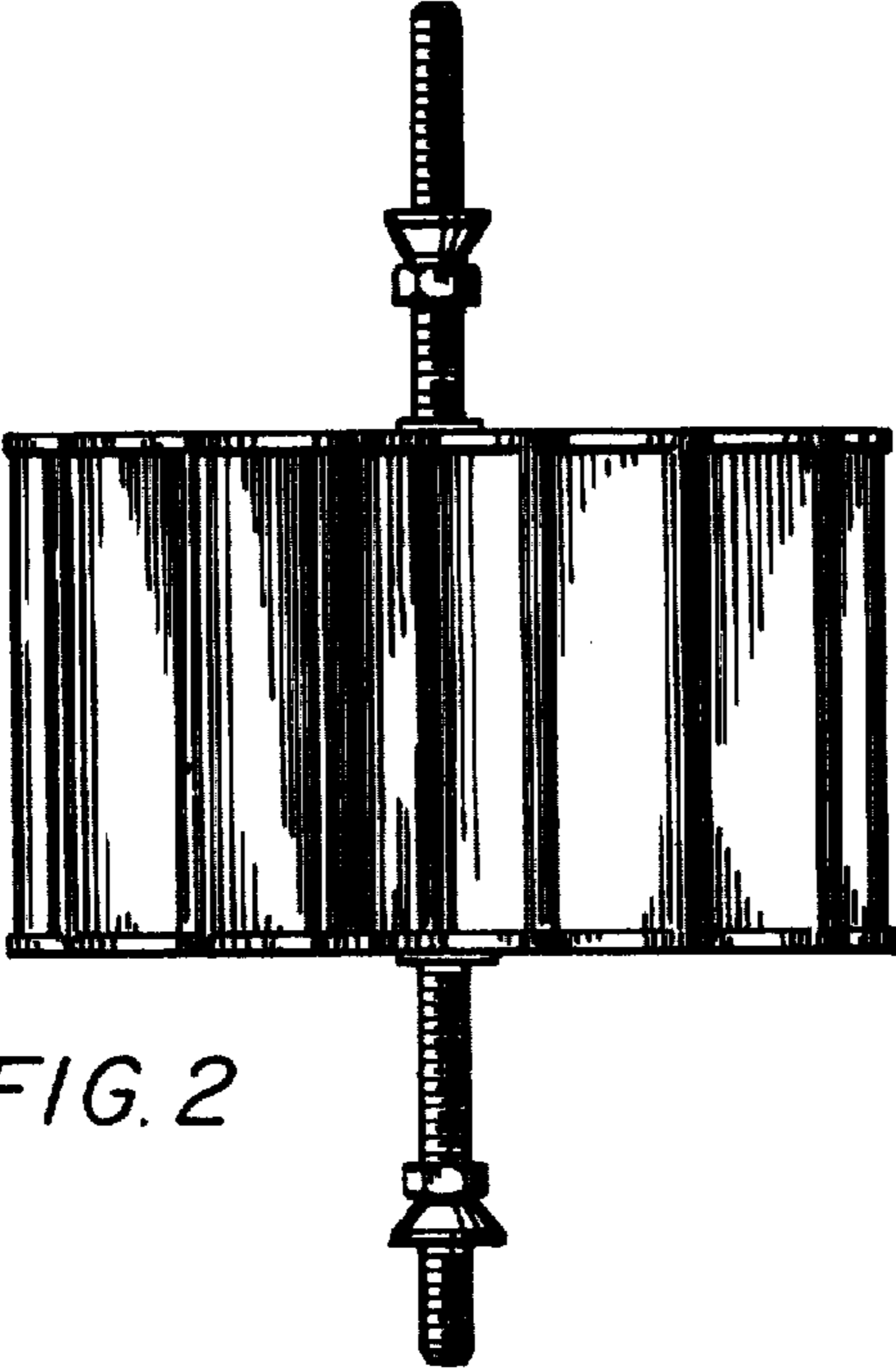


FIG. 3

