

[54] **TOOTHBRUSH**

[76] **Inventor:** Melvyn D. McAlpine, 3 Joubert Rd.,
Moret, Randburg, Transvaal, South
Africa

[**] **Term:** 14 Years

[21] **Appl. No.:** 98,901

[22] **Filed:** Nov. 30, 1979

[30] **Foreign Application Priority Data**

Jun. 5, 1979 [ZA] South Africa 79/0438

[51] **Int. Cl.** D4-02

[52] **U.S. Cl.** D4/25

[58] **Field of Search** D4/24, 25; 15/159 R,
15/159 A, 160, 167 R, 167 A

[56] **References Cited**

U.S. PATENT DOCUMENTS

D. 246,080 10/1977 Rallis D4/25
D. 246,877 1/1978 Kitzi D4/25 X

Primary Examiner—Catherine E. Kemper
Attorney, Agent, or Firm—Pennie & Edmonds

[57] **CLAIM**

The ornamental design for a toothbrush, as shown.

DESCRIPTION

FIG. 1 is a perspective view of a toothbrush showing
my new design;

FIG. 2 is a perspective view thereof from a different
angle;

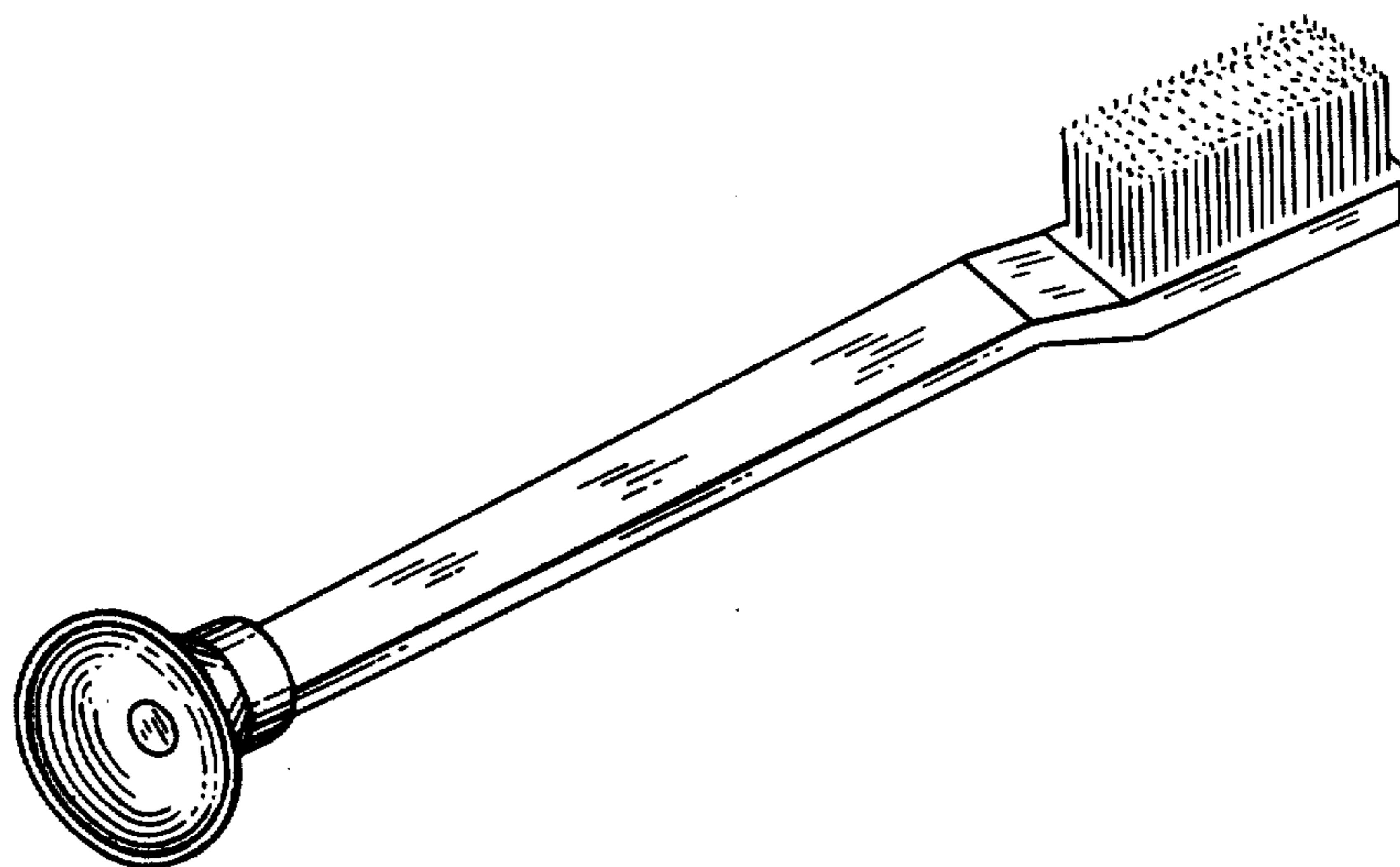
FIG. 3 is a top view thereof;

FIG. 4 is a side view thereof;

FIG. 5 is a bottom view thereof;

FIG. 6 is an end view thereof;

FIG. 7 is an end view thereof of the end opposite that
shown in FIG. 6.



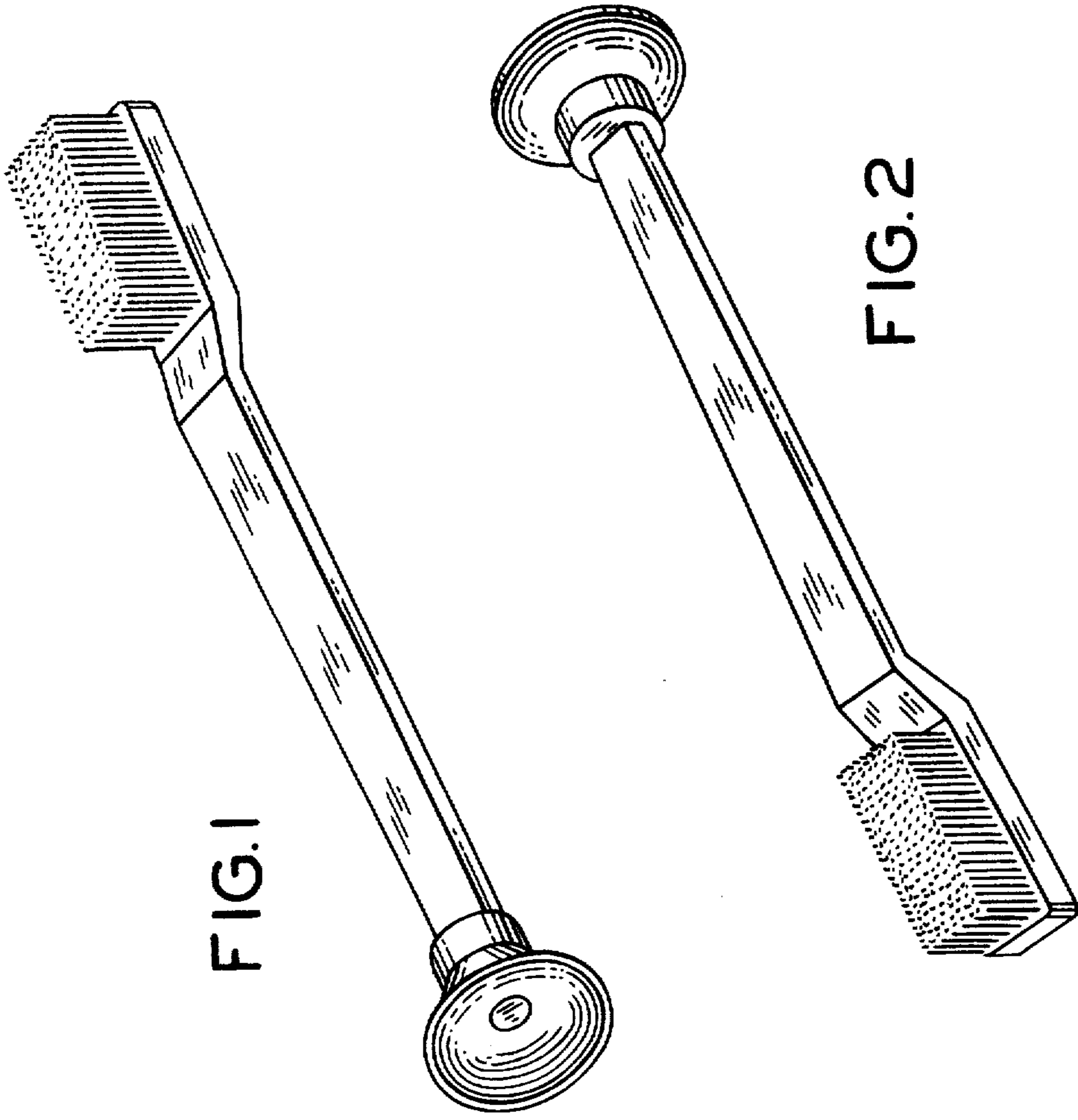


FIG. 1

FIG. 2

FIG.3



FIG.4

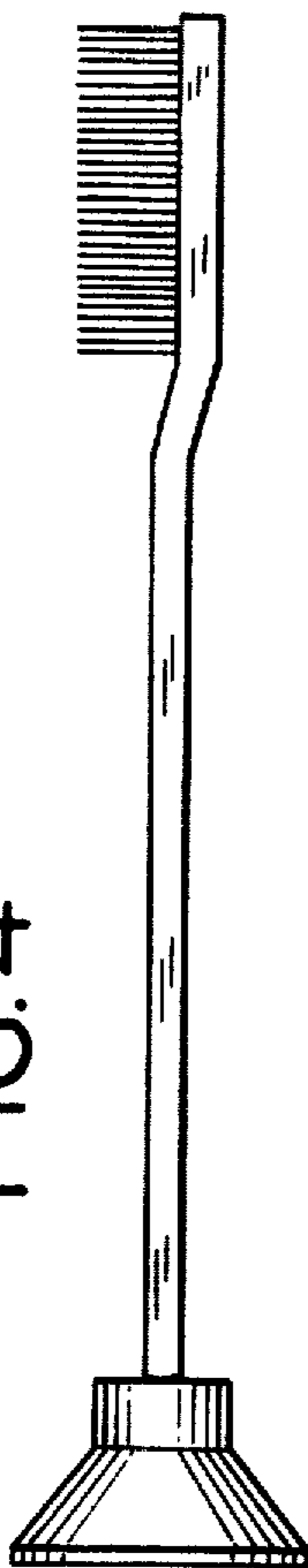


FIG.5

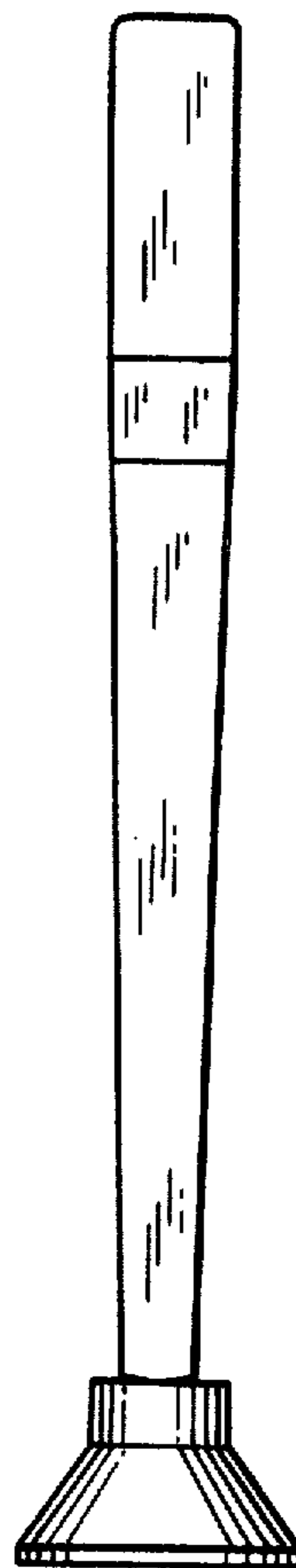


FIG.6

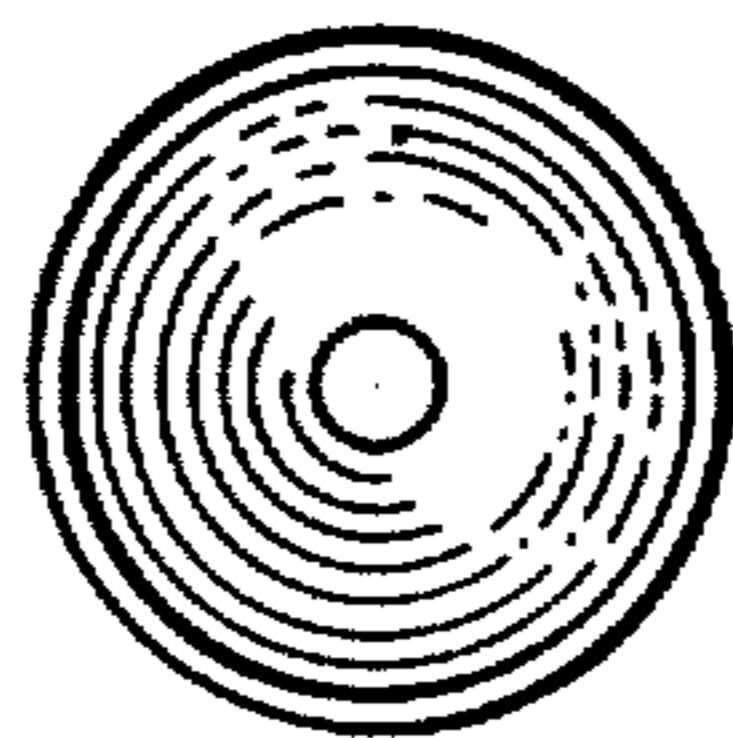


FIG.7

