

[54] **MEDICAL SUPPLY PACK**

[76] Inventor: **Barbara A. Petroff**, 1858 12th Ave.,
Greeley, Colo. 80631

[**] Term: **14 Years**

[21] Appl. No.: **313,315**

[22] Filed: **Oct. 20, 1981**

[51] Int. Cl. **D3-02**

[52] U.S. Cl. **D3/71; D3/74**

[58] Field of Search **D3/30.1, 32, 39, 42,**
D3/48, 71, 74, 76, 77; 224/153; 190/43, 52;
150/1, 34; D2/400

[56] **References Cited**

U.S. PATENT DOCUMENTS

- D. 239,986 5/1976 Artz **D2/400**
- 2,324,194 7/1943 Campiglia **D3/32**
- 4,236,657 12/1980 Brunton **224/153**

4,335,812 6/1982 Koves **D3/71**

Primary Examiner—George P. Word
Attorney, Agent, or Firm—Kyle W. Rost

[57] **CLAIM**

The ornamental design for a medical supply pack, as shown and described.

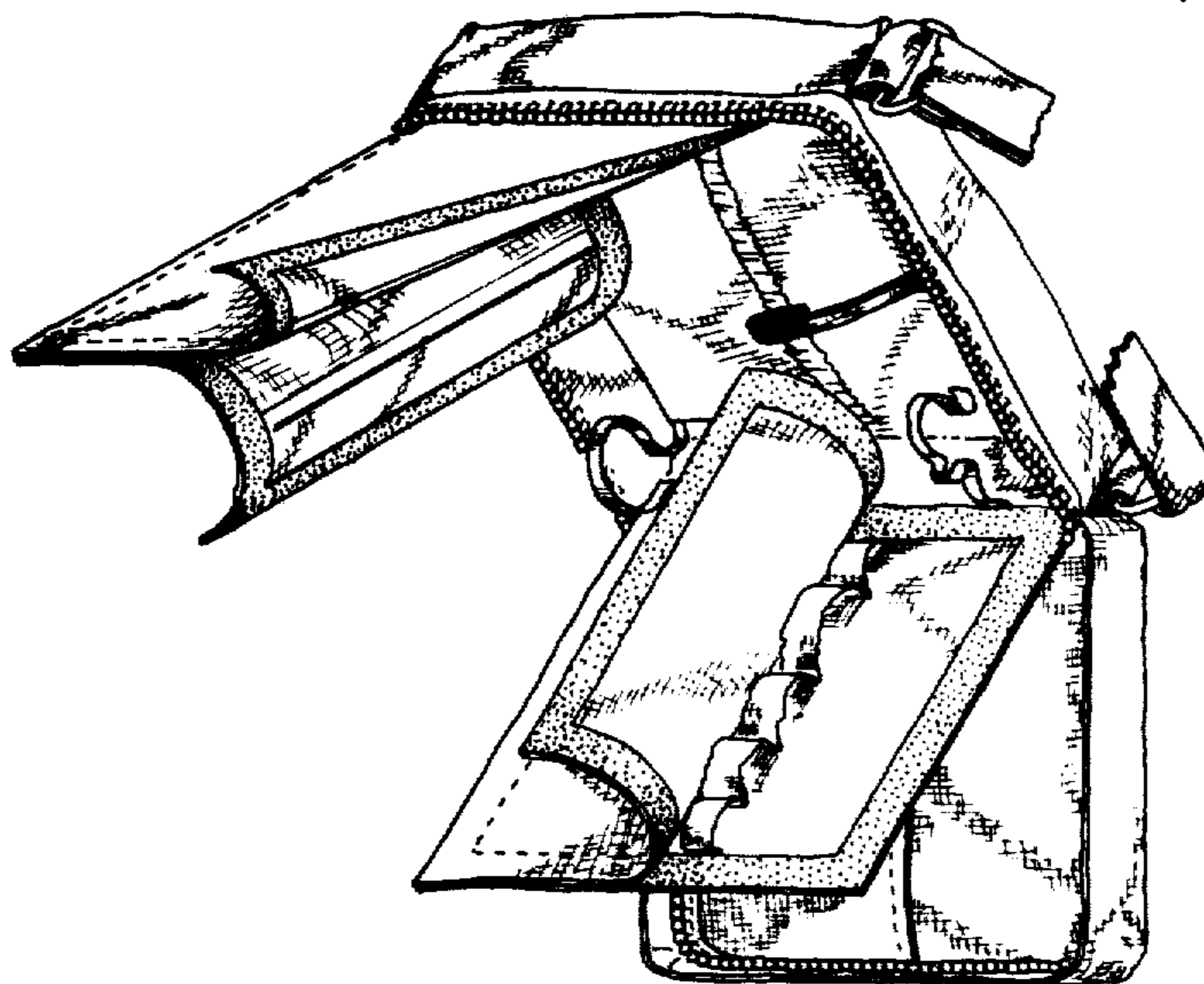
DESCRIPTION

FIG. 1 is a perspective view of a medical supply pack showing my new design in the open configuration, an intermediate portion of the carrying strap shown in FIG. 3 being broken away and omitted for convenience of illustration;

FIG. 2 is a rear perspective view thereof in closed condition; and

FIG. 3 is a bottom front perspective view thereof in the open configuration with the complete carrying strap.

Those surfaces having hidden portions in FIG. 1 and not otherwise disclosed in FIGS. 2 and 3 are continuations of the disclosed portions of the respective surfaces.



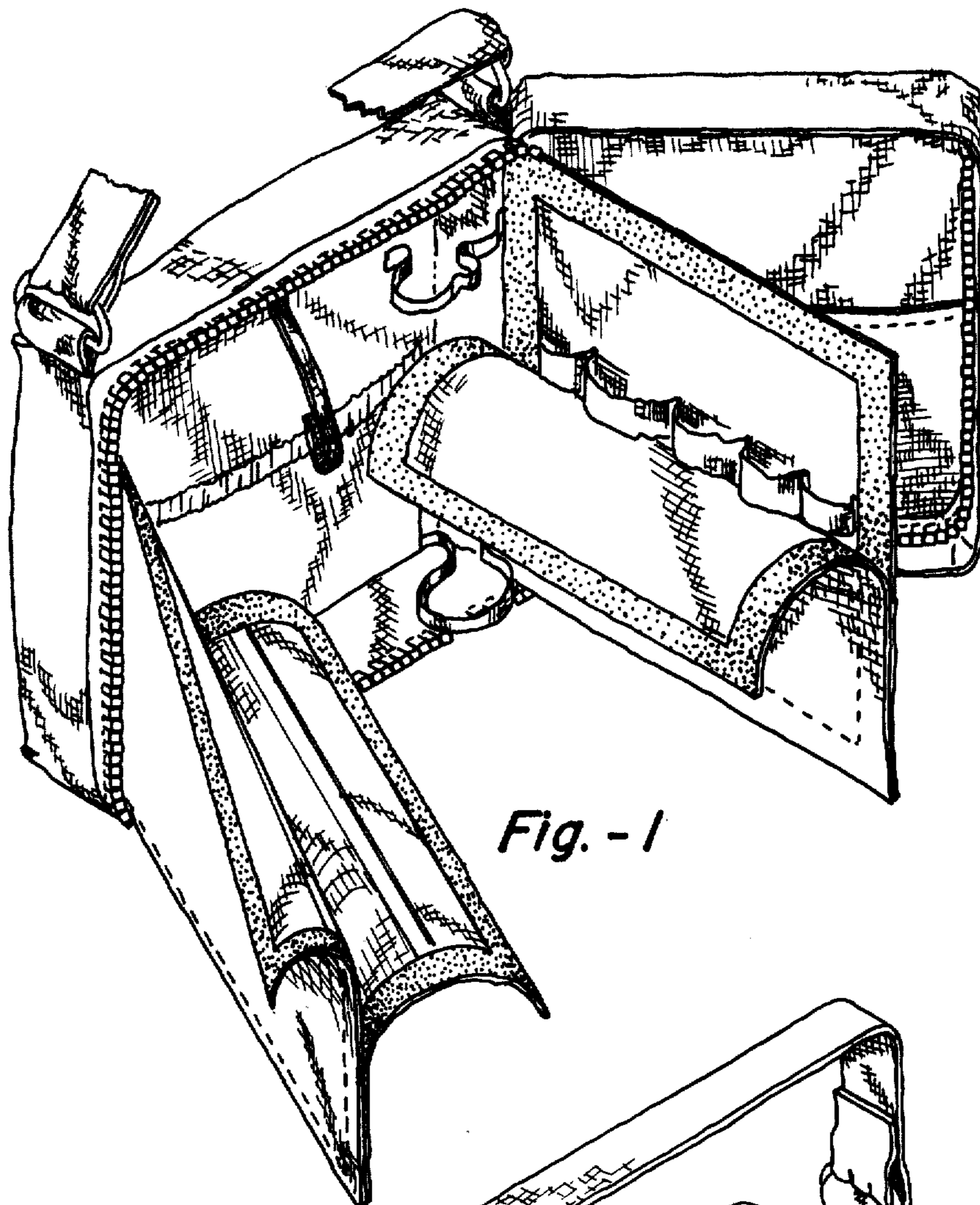


Fig. - 1

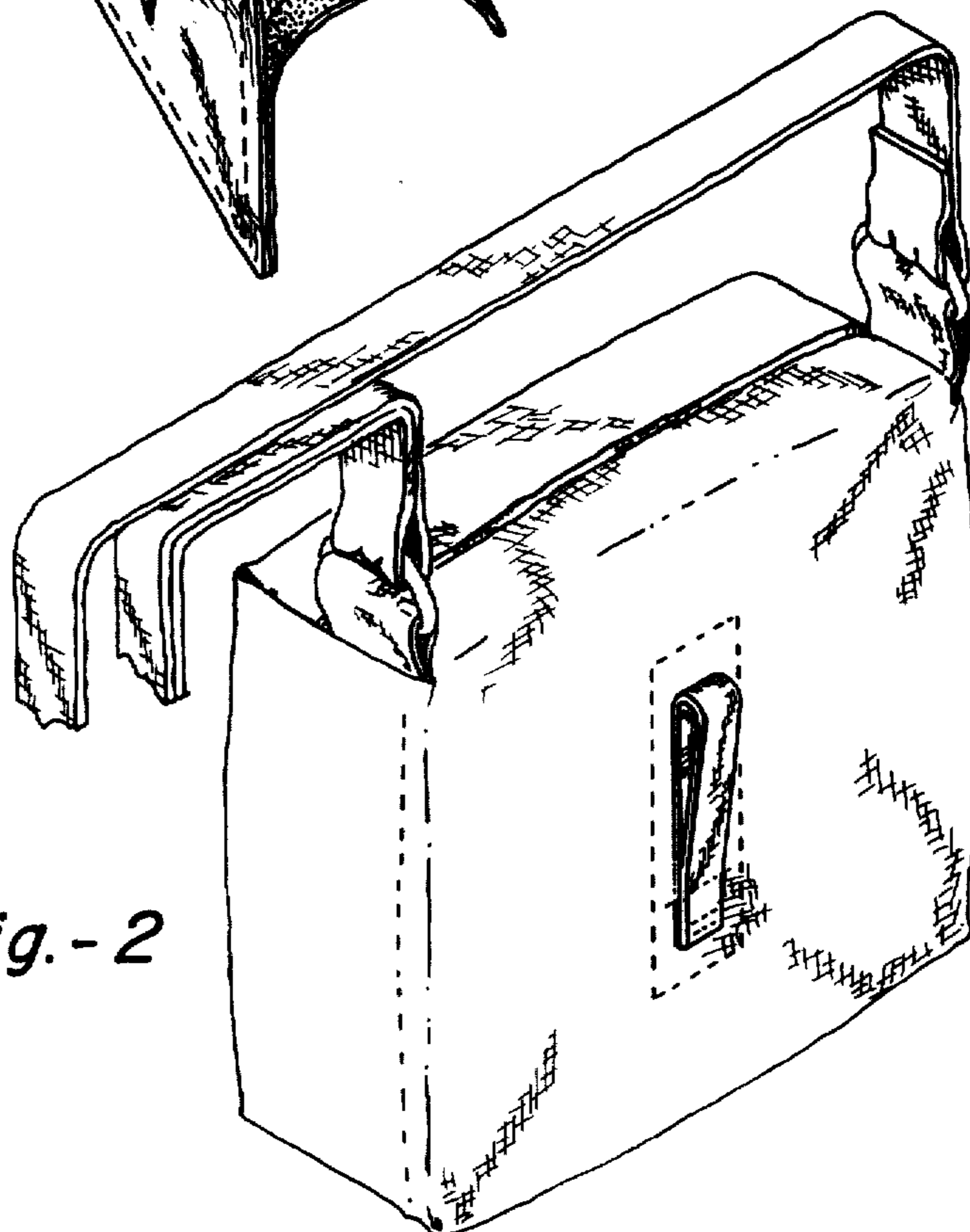


Fig. - 2

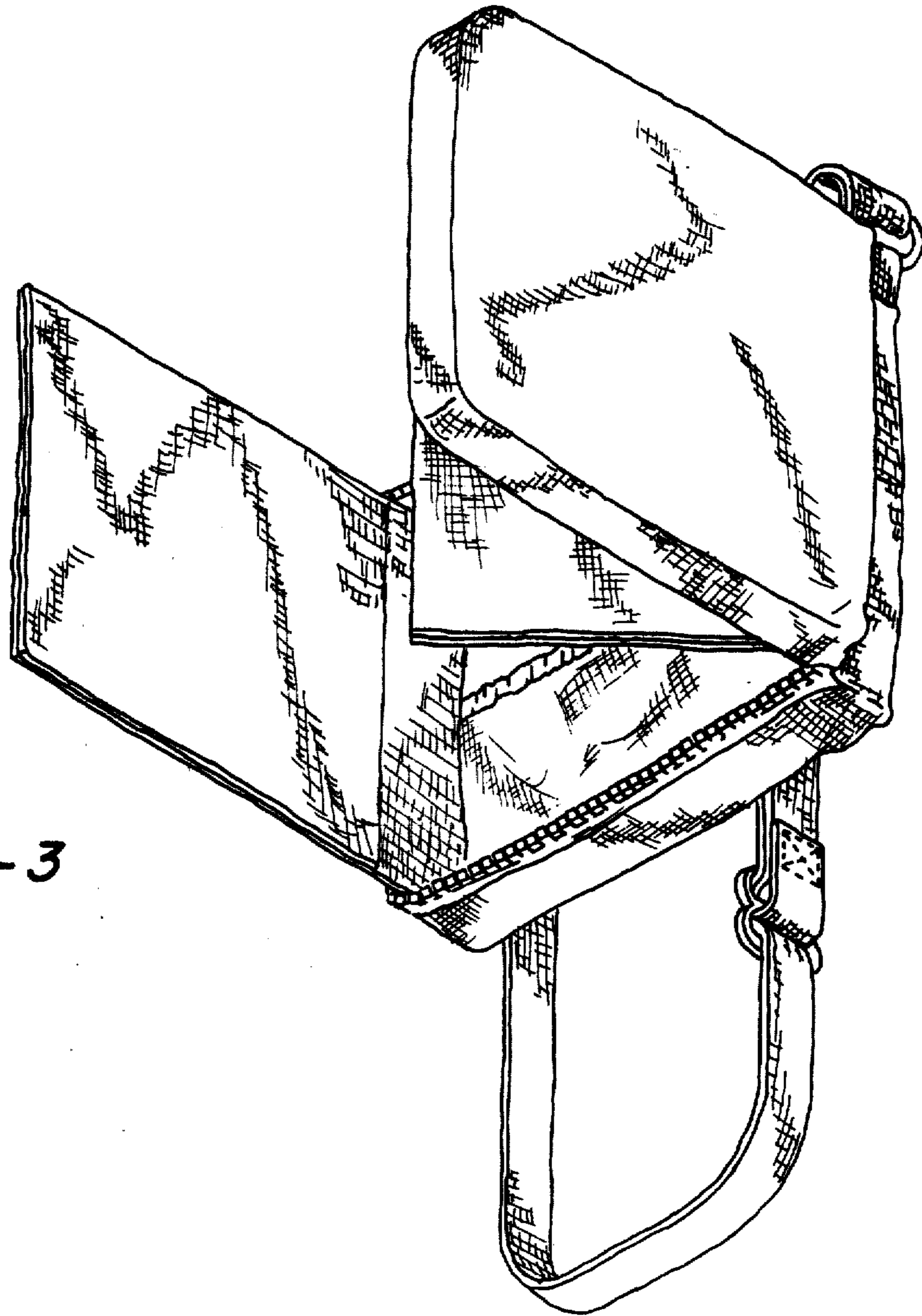


Fig. - 3