

[54] PORTABLE SUPPORT FOR A MAIL BOX

4,113,213 9/1978 Gay et al. 232/39

[76] Inventor: Jalmer Solyst, R.R. 1, Box 279,
Forest City, Iowa 50436

Primary Examiner—Charles A. Rademaker
Attorney, Agent, or Firm—Rudolph L. Lowell

[**] Term: 14 Years

[57] CLAIM

[21] Appl. No.: 297,706

The ornamental design for a portable support for a mail box, substantially as shown and described.

[22] Filed: Aug. 31, 1981

DESCRIPTION

[51] Int. Cl. D99—00

FIG. 1 is a front perspective view of a portable support for a mail box showing my new design;

[52] U.S. Cl. D99/43; D99/32

FIG. 2 is a front elevational view thereof shown on a reduced scale;

[58] Field of Search 232/39, 1 R, 17;
248/128, 146, 150, 132, 157, 419, 165, 166, 167,
528; D99/32, 29, 31, 33, 43

FIG. 3 is a top plan view thereof;

FIG. 4 is another top plan view thereof taken on line 4—4 in FIG. 2;

[56] References Cited

U.S. PATENT DOCUMENTS

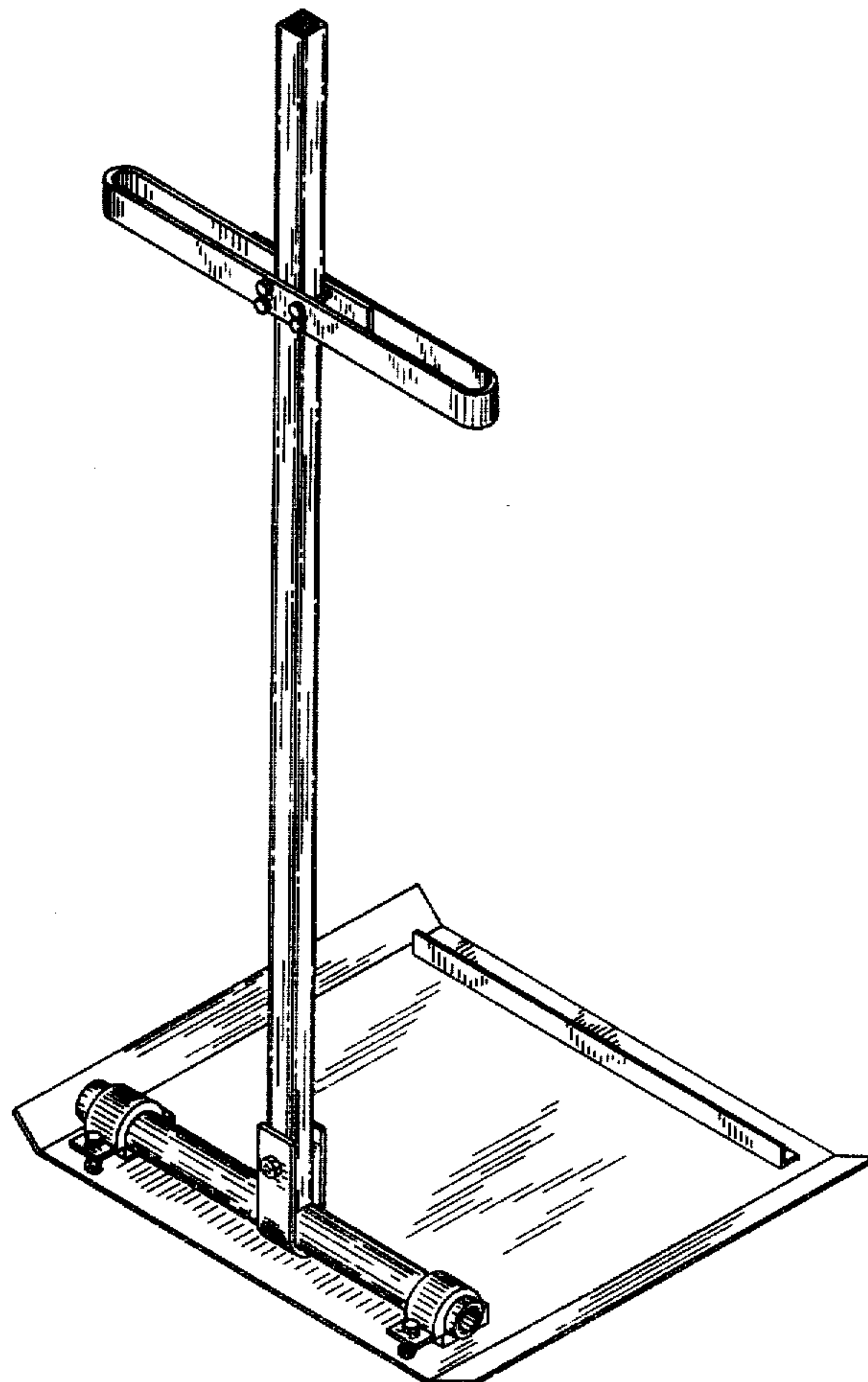
203,891	5/1878	Conway	248/167
3,389,882	6/1968	Schlosser	248/165
3,408,027	10/1968	Price	248/165
3,669,392	6/1972	Saunders	248/150

FIG. 5 is a left side elevational view thereof;

FIG. 6 is a cross-sectional view thereof taken along line 6—6 in FIG. 2;

FIG. 7 is a cross-sectional view taken along line 7—7 in FIG. 2 shown partially in fragment; and,

FIG. 8 is a rear elevational view thereof.



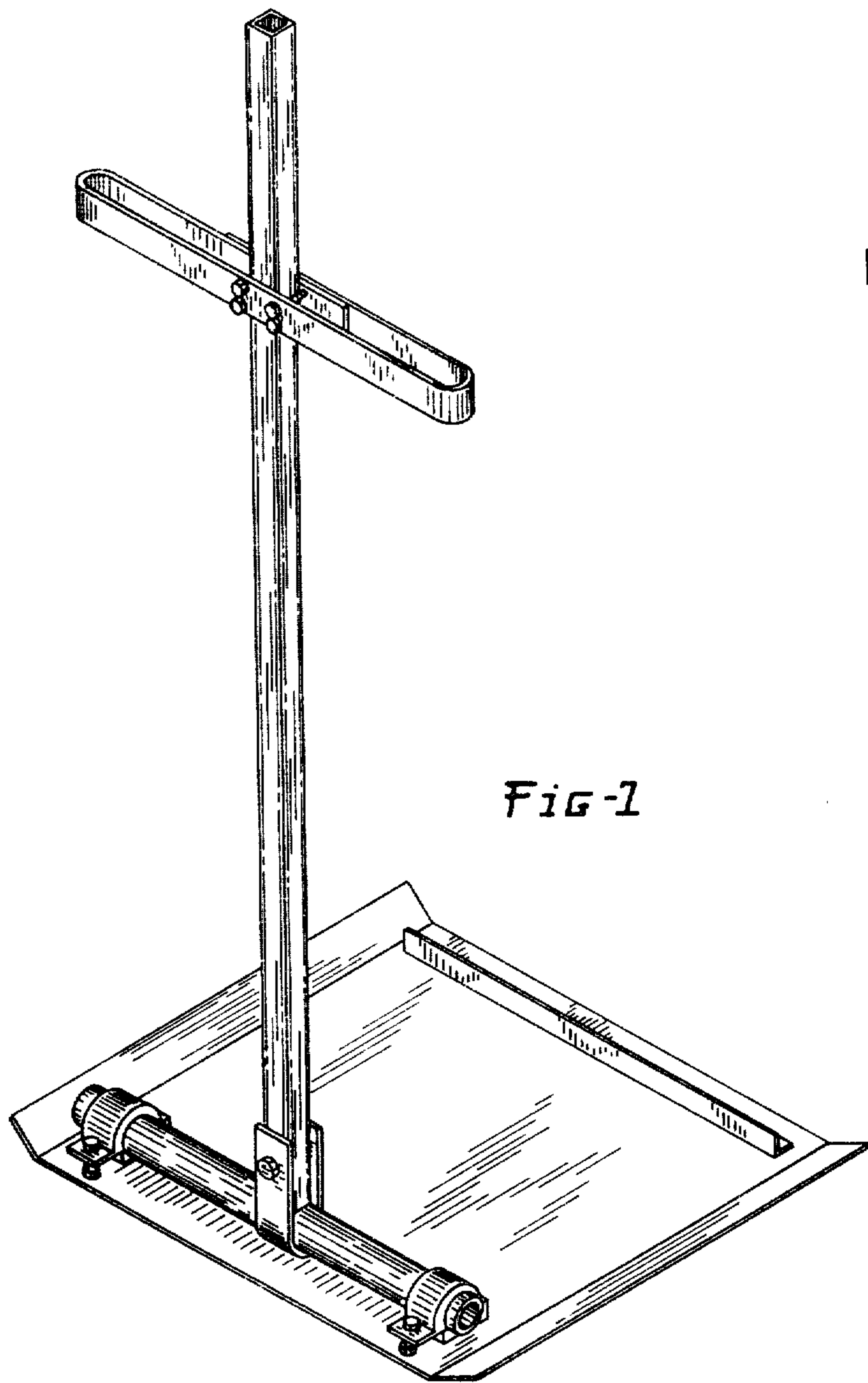


FIG-1

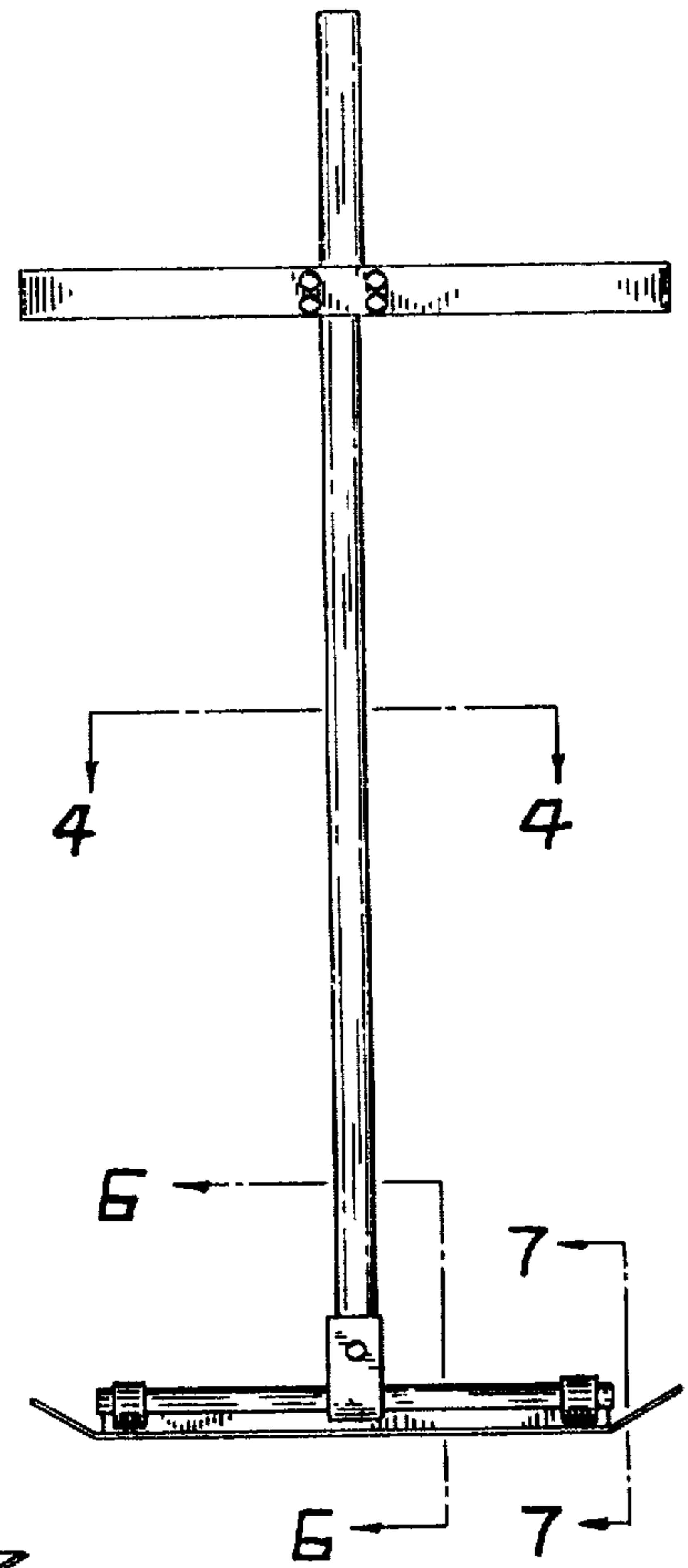


FIG-2

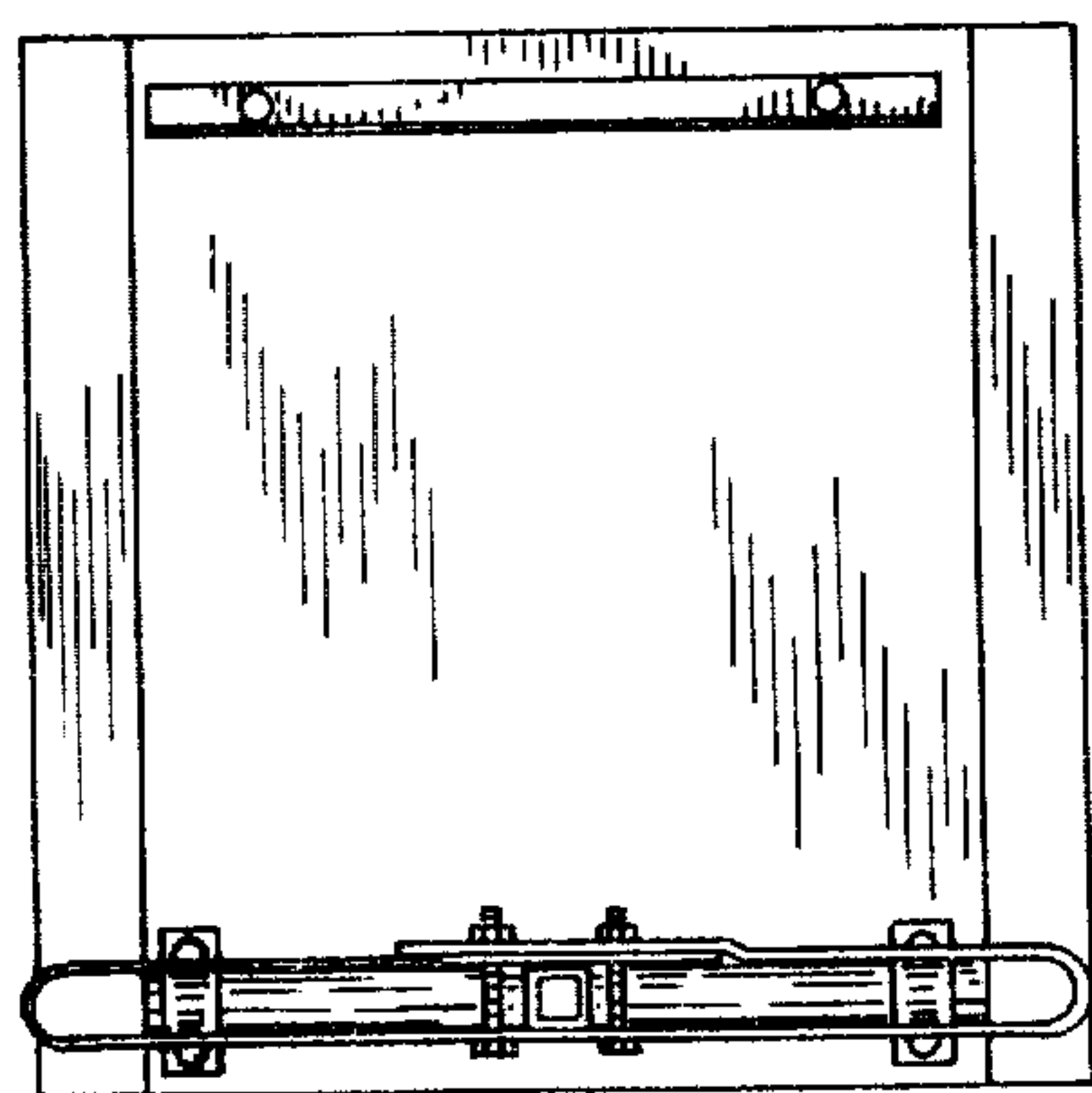


FIG-3

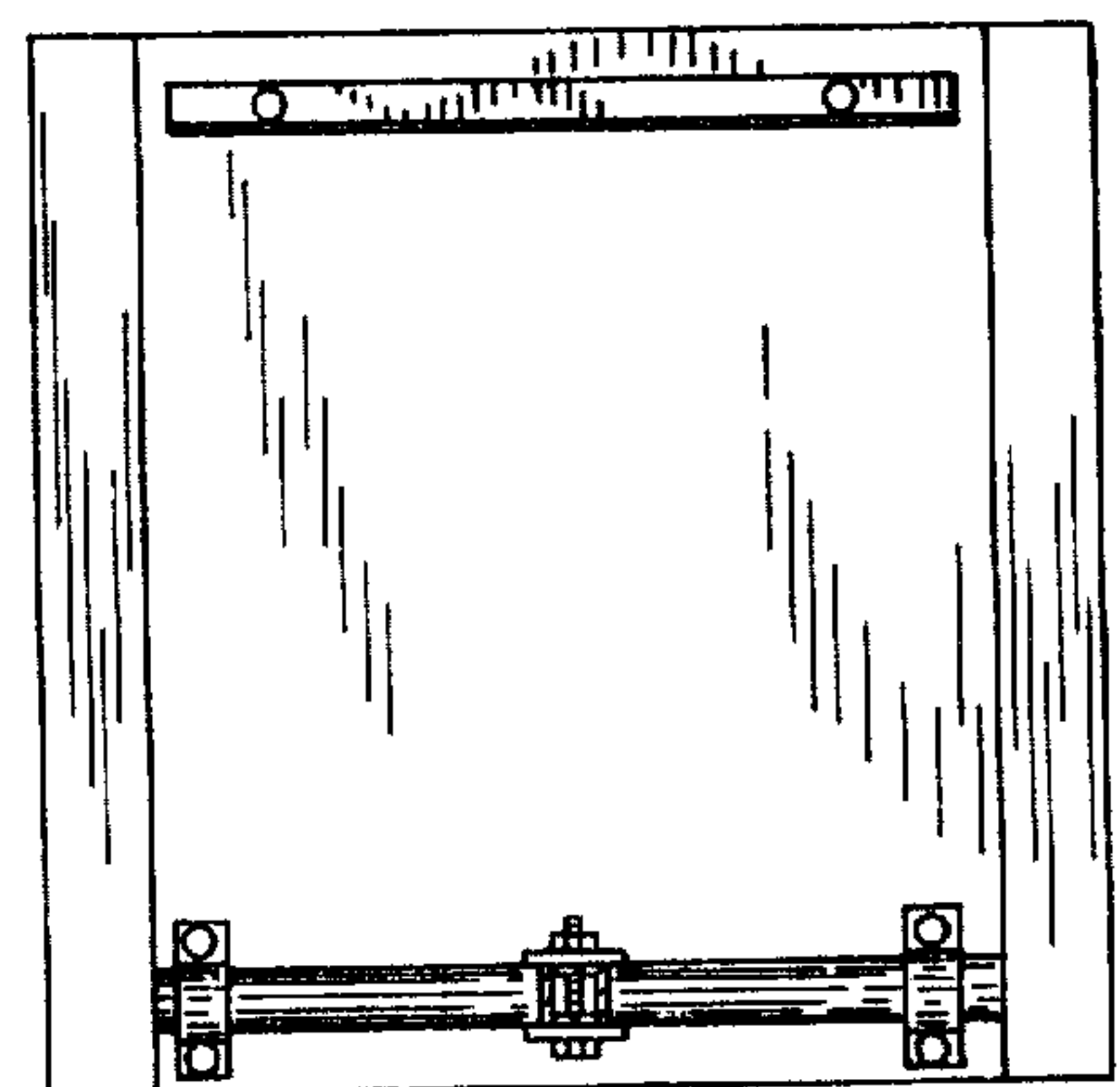


FIG-4

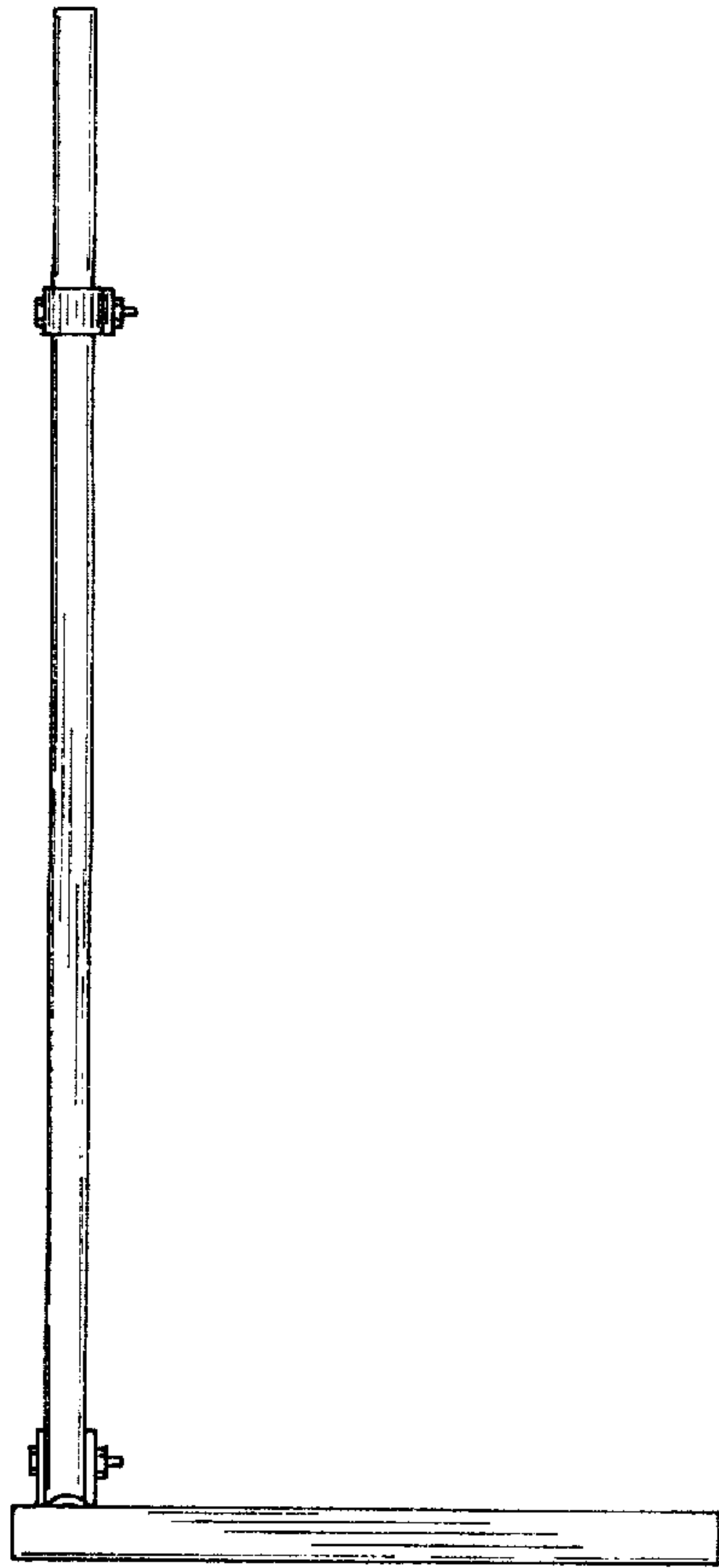


FIG. 5

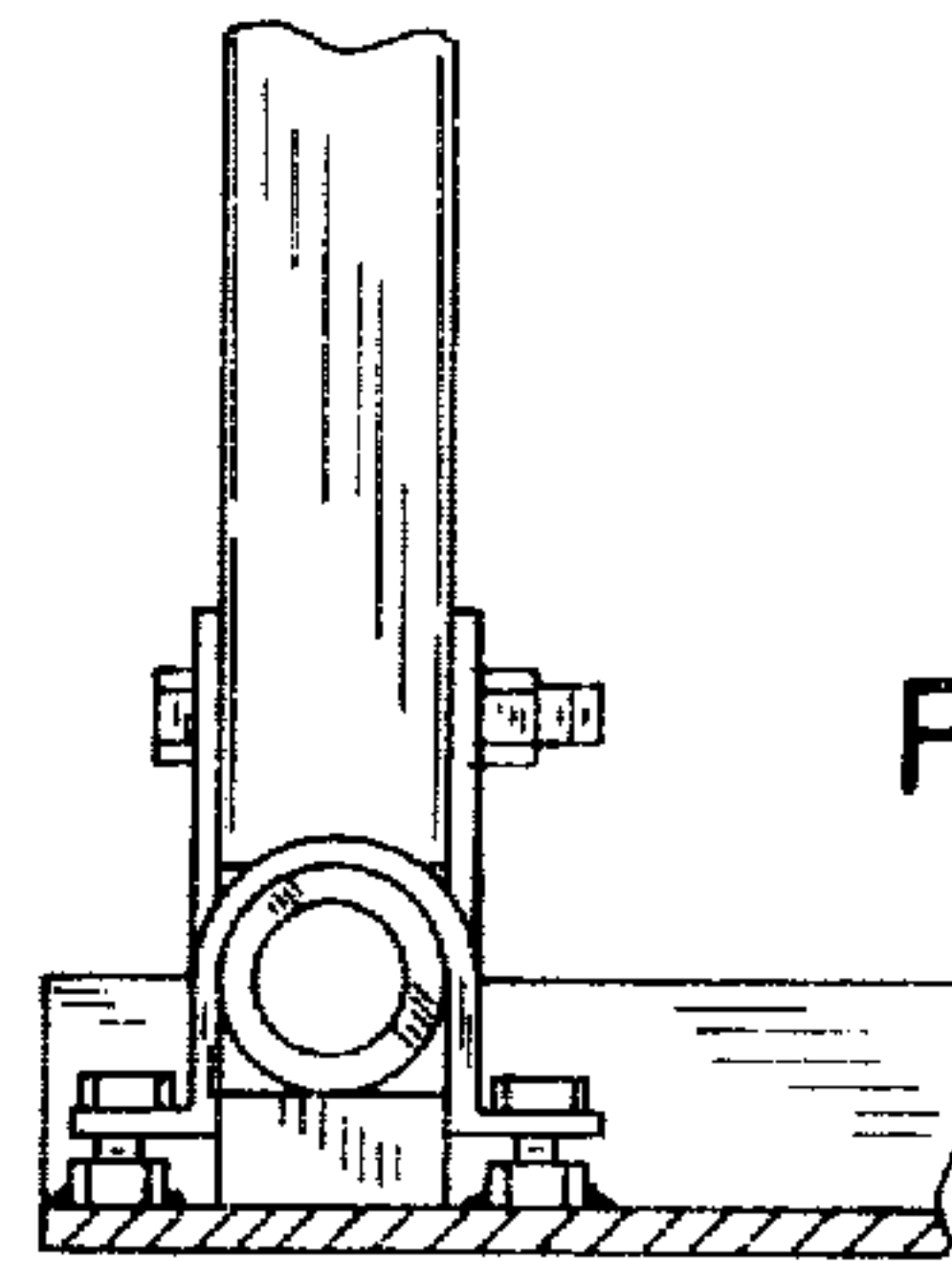


FIG. 7

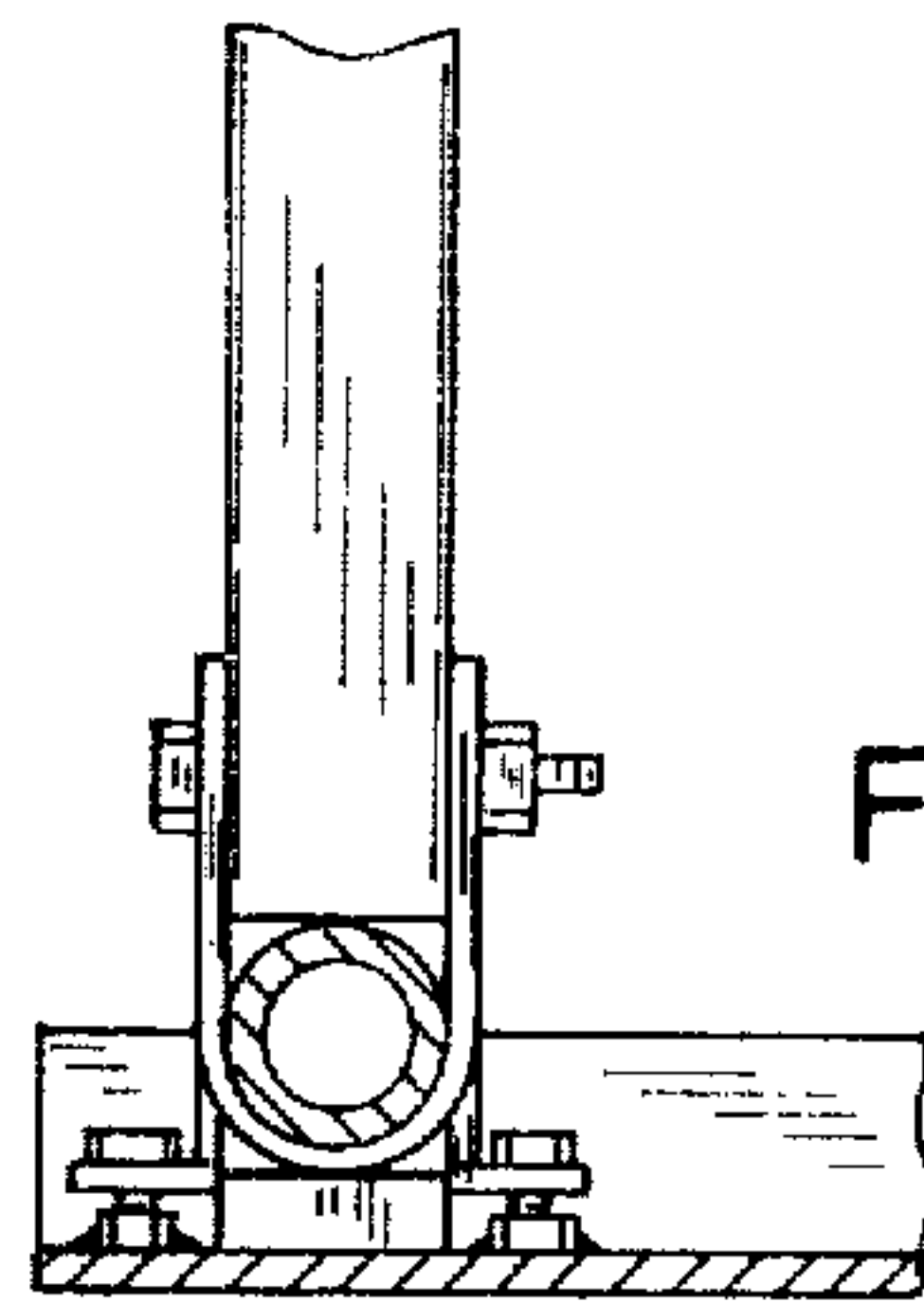


FIG. 6

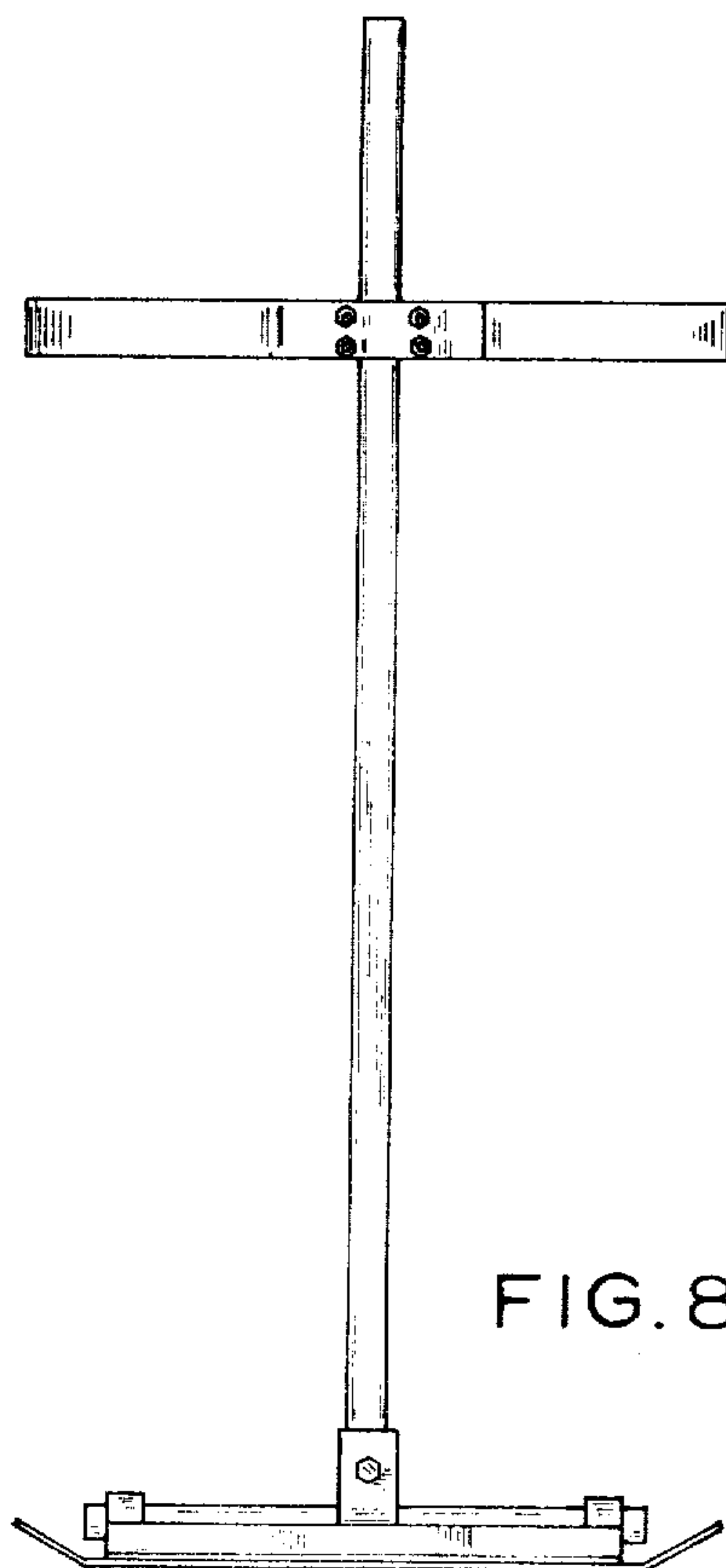


FIG. 8