

- [54] **SUPPORTING LEG FOR A TRAY OR THE LIKE**
- [75] Inventor: **Giuseppe d'Imporzano, Milan, Italy**
- [73] Assignee: **Beylerian Limited, New York, N.Y.**
- [**] Term: **14 Years**
- [21] Appl. No.: **239,112**
- [22] Filed: **Feb. 27, 1981**
- [51] Int. Cl. **D9-99**
- [52] U.S. Cl. **D34/40**
- [58] Field of Search 206/503, 511, 505, 504, 206/821; D6/194, 195, 196; 211/13, 71, 49 R, 126, 128; D9/456, 434; D34/40-46

- [56] **References Cited**
U.S. PATENT DOCUMENTS
D. 237,573 11/1975 Haug D6/194

- 3,180,288 4/1965 McCowan 206/511 X
3,709,163 1/1973 Smedley et al. 206/511 X
3,902,270 9/1975 Molenaar 206/511 X
3,955,681 5/1976 De Zinno 206/511 X
4,213,532 7/1980 Eggert et al. 206/504

Primary Examiner—Robert G. Spangler
Attorney, Agent, or Firm—Robert W. Fiddler

[57] **CLAIM**

The ornamental design for a supporting leg for a tray or the like, as shown.

DESCRIPTION

FIG. 1 is an exploded perspective view of a supporting leg for a tray or the like showing my new design, with three similar legs and a tray being shown in broken lines to illustrate environmental use only; FIG. 2 is an enlarged front elevational view; FIG. 3 is a view looking from the right of FIG. 2; FIG. 4 is a top plan view; and FIG. 5 is a bottom plan view thereof.

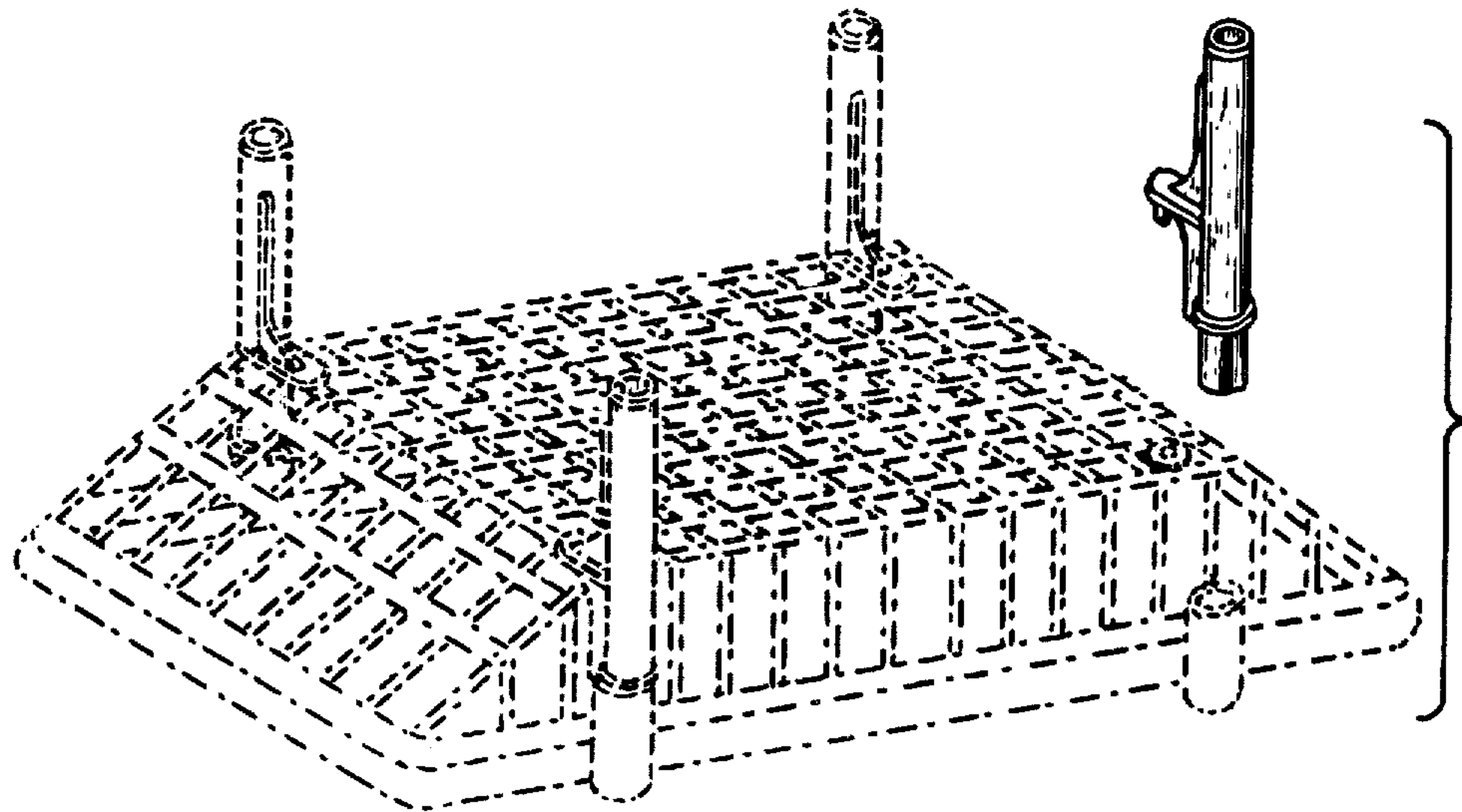


FIG. 1.

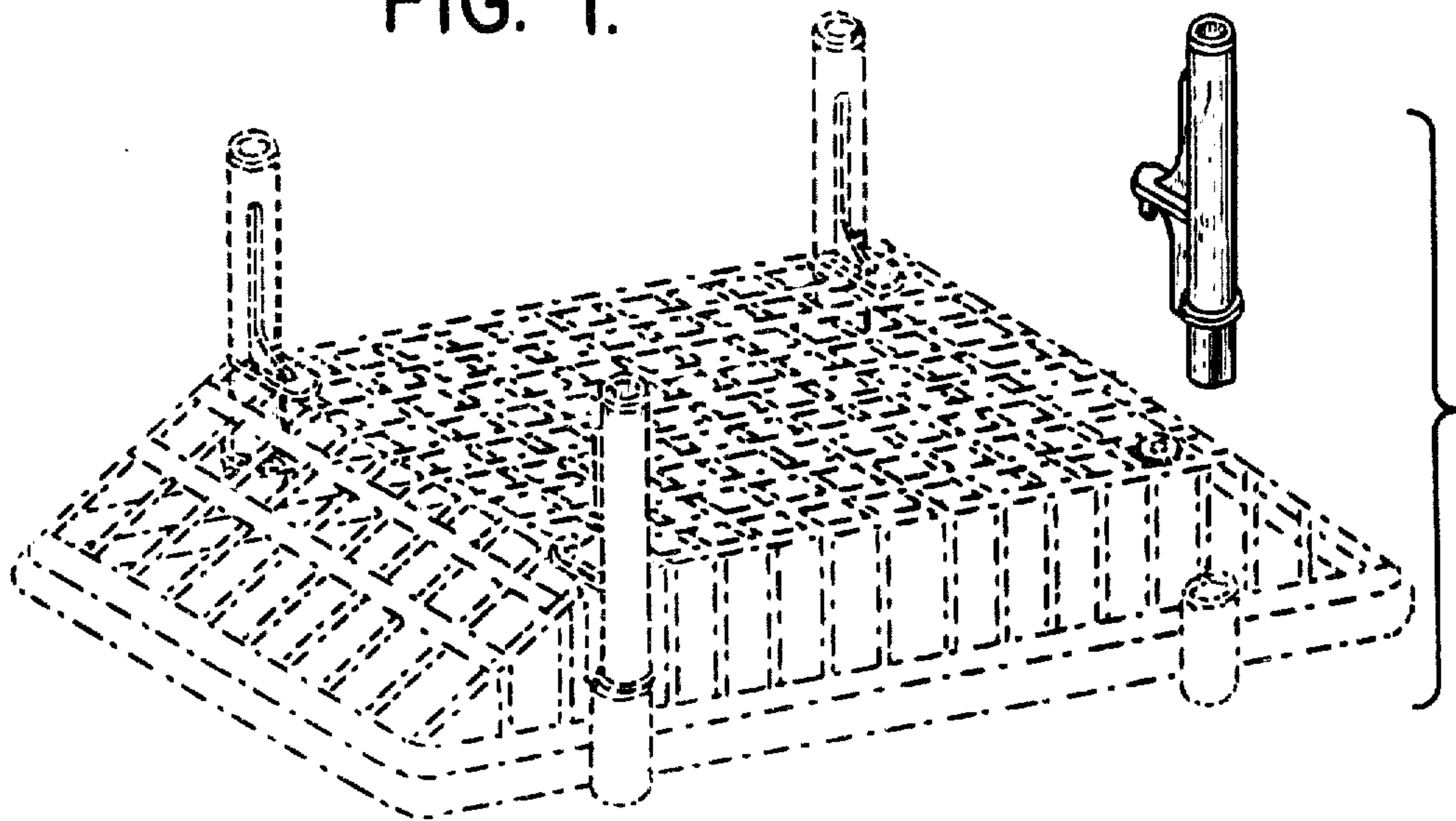


FIG. 2.

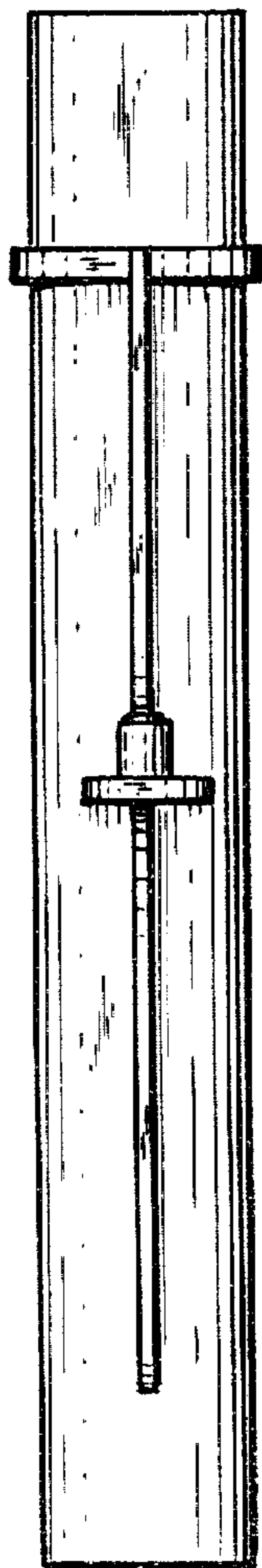


FIG. 4.

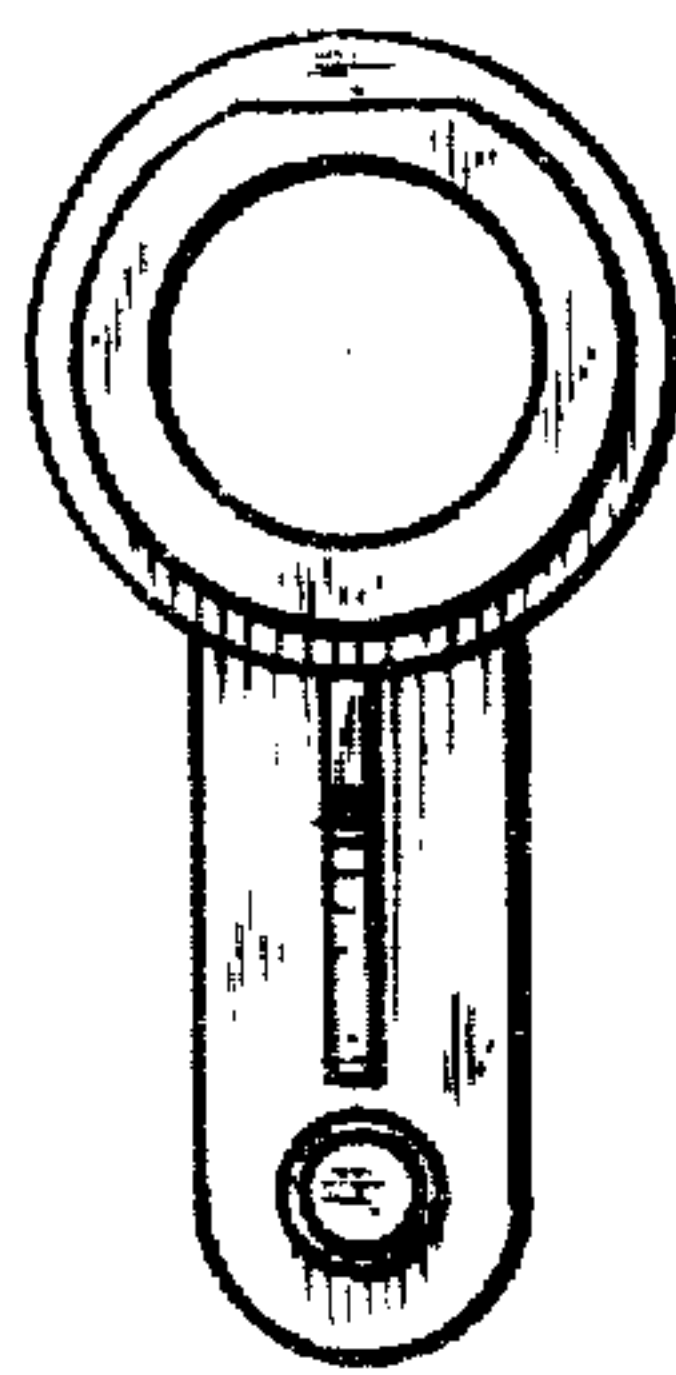


FIG. 3.

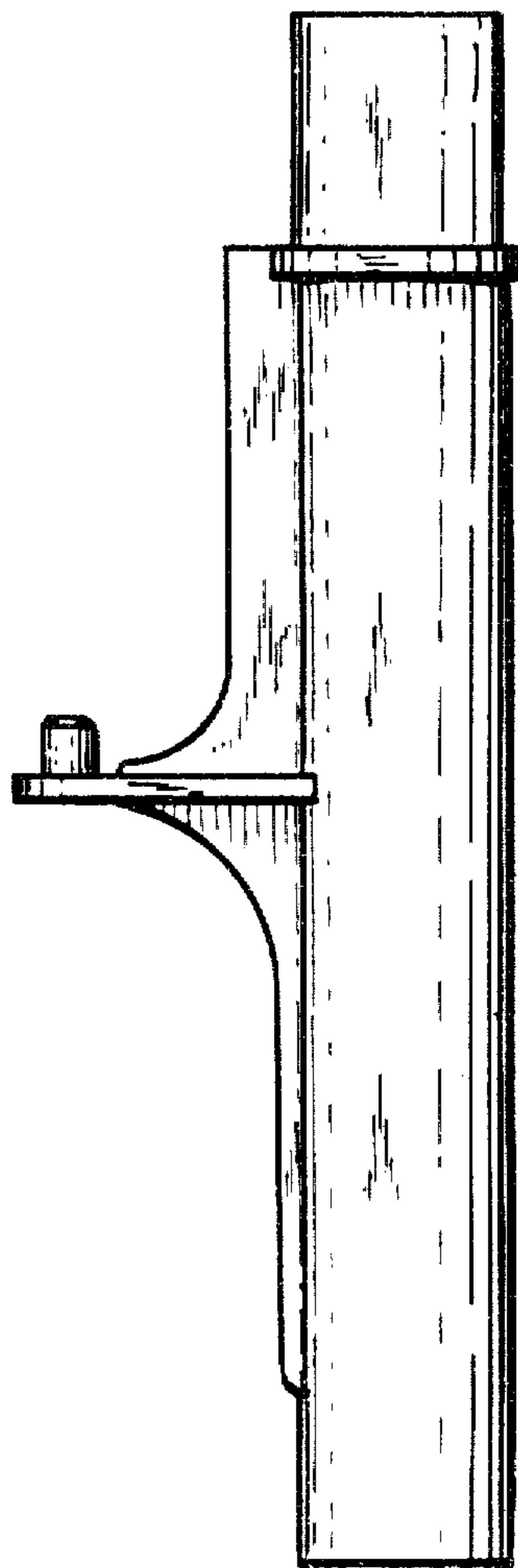


FIG. 5.

