

[54] CADDY FOR VACUUM CLEANER ATTACHMENT TOOLS

2,825,087 3/1958 Meyerhoefer 15/257 A
3,284,834 7/1964 Waters 15/323
3,778,863 12/1973 Westergren et al. 15/323

[75] Inventor: Carl Parise, Reno, Nev.

[73] Assignee: Parise and Sons, Inc., Sparks, Nev.

[**] Term: 14 Years

[21] Appl. No.: 271,900

[22] Filed: Jun. 9, 1981

[51] Int. Cl. D15-05

[52] U.S. Cl. D32/31

[58] Field of Search D32/31; 15/246, 257 A, 15/323

[56] References Cited

U.S. PATENT DOCUMENTS

D. 226,822 5/1973 Haynes D32/31
2,340,390 4/1942 Kitto 15/323
2,497,477 2/1950 Stoops 15/323

Primary Examiner—Wallace R. Burke
Assistant Examiner—Lynn Wilder
Attorney, Agent, or Firm—Sughrue, Mion, Zinn, Macpeak, and Seas

[57] CLAIM

The ornamental design for a caddy for vacuum cleaner attachment tools, as shown.

DESCRIPTION

FIG. 1 is a front, top and right side perspective view of a caddy for vacuum cleaner attachment tools showing applicant's new design;

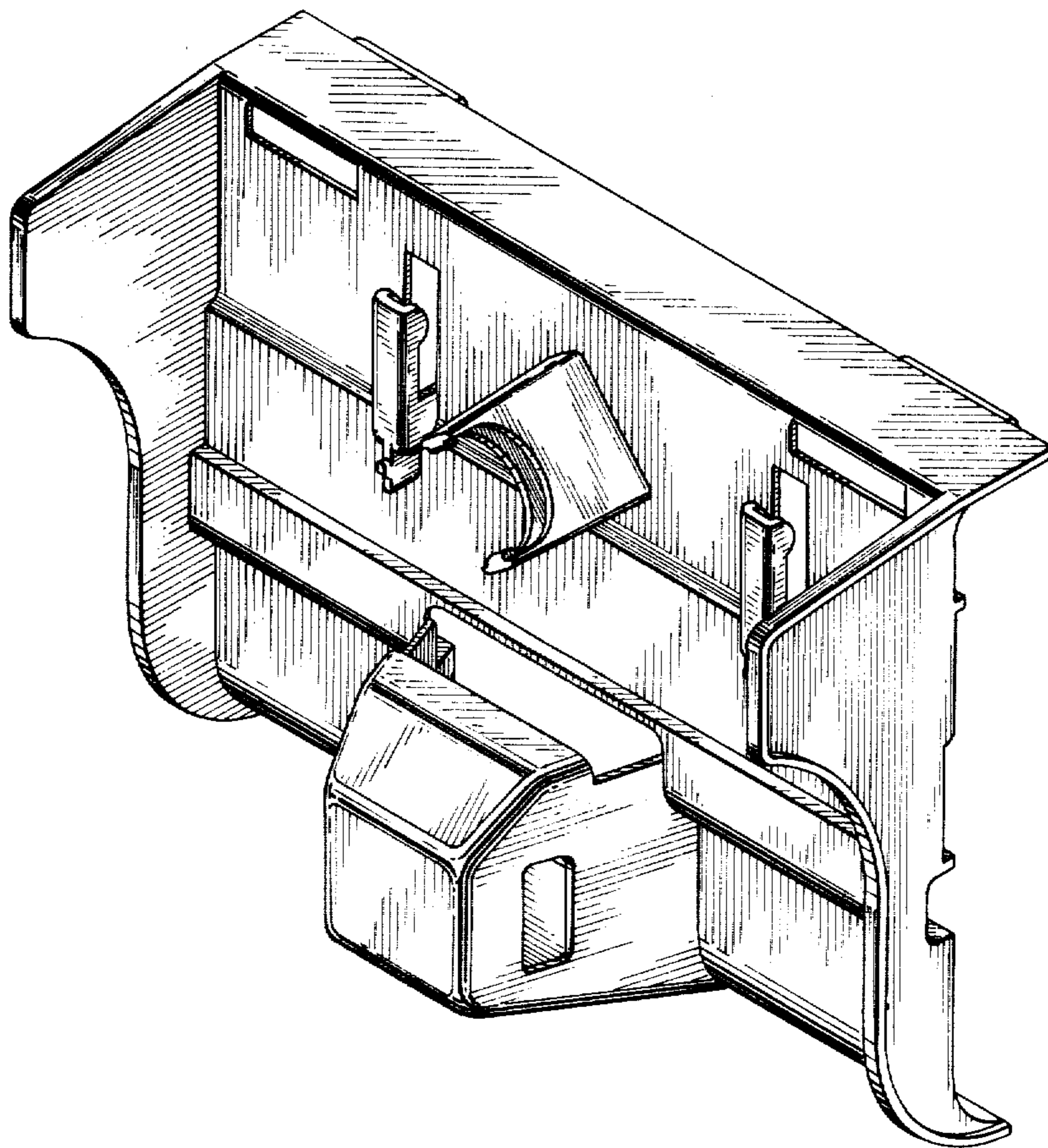
FIG. 2 is a left side elevational view thereof;

FIG. 3 is a front elevational view thereof;

FIG. 4 is a top plan view thereof;

FIG. 5 is a bottom plan view thereof; and

FIG. 6 is a rear elevational view thereof.



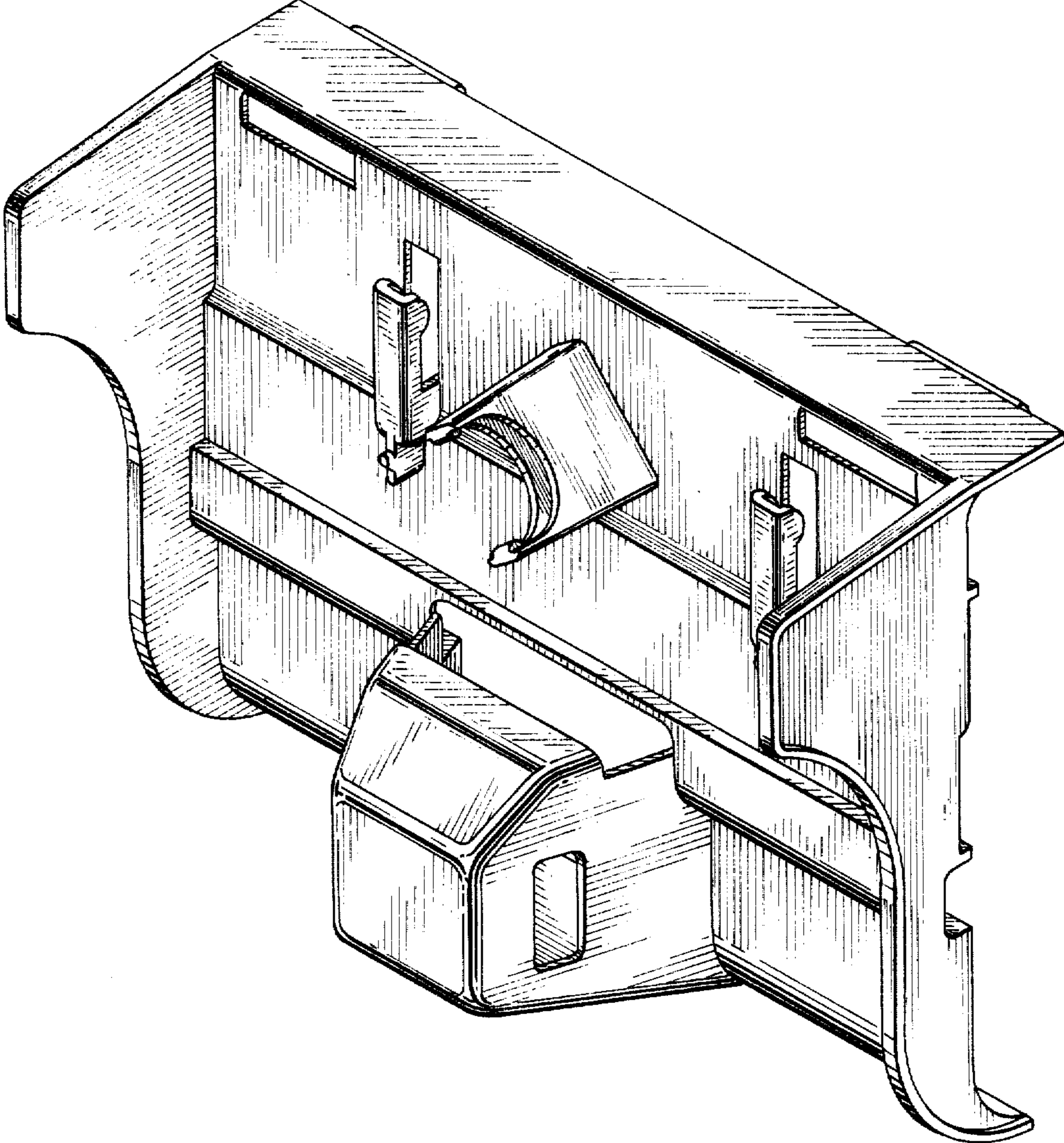


FIG. 1

FIG. 3

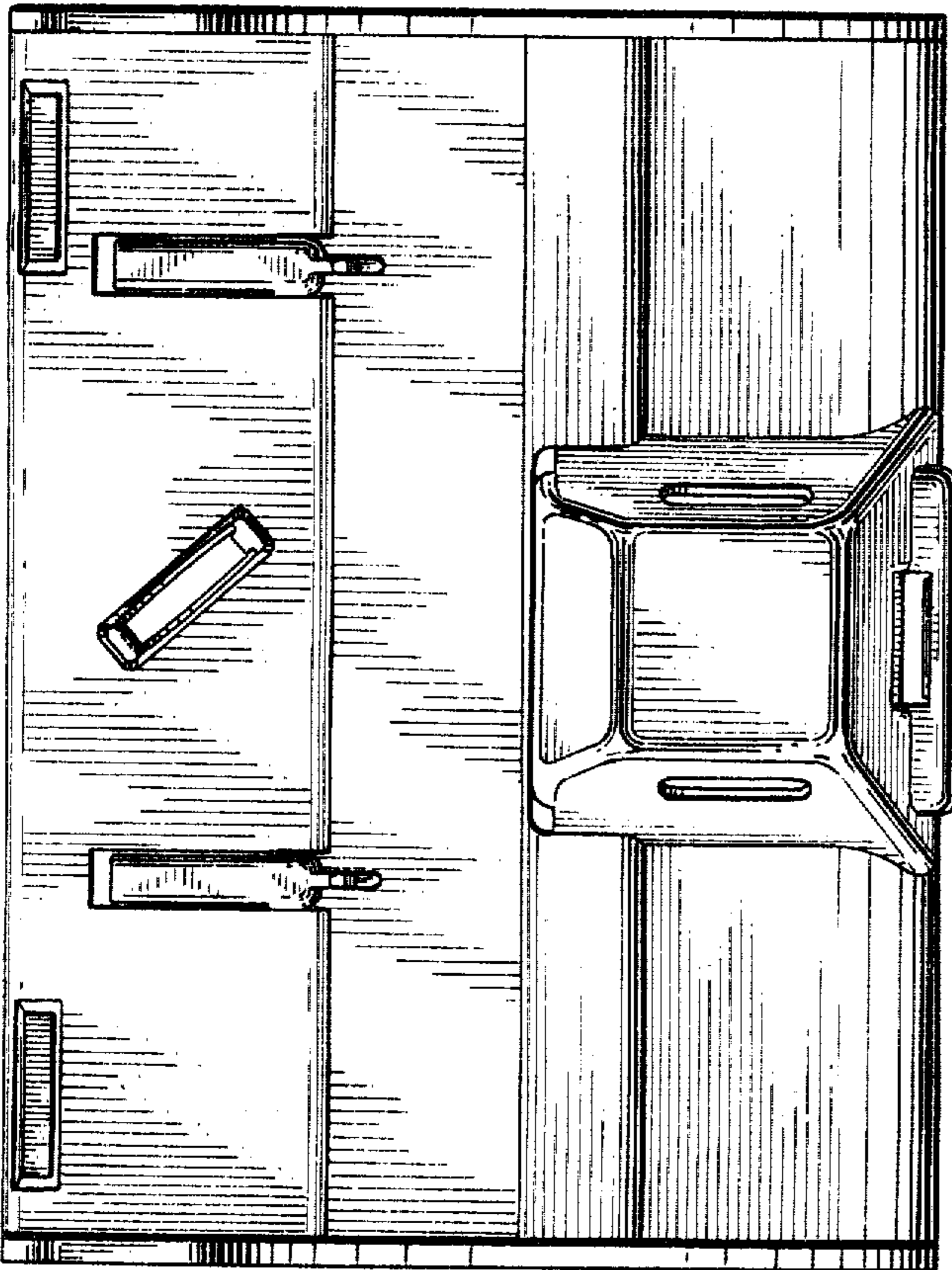


FIG. 4

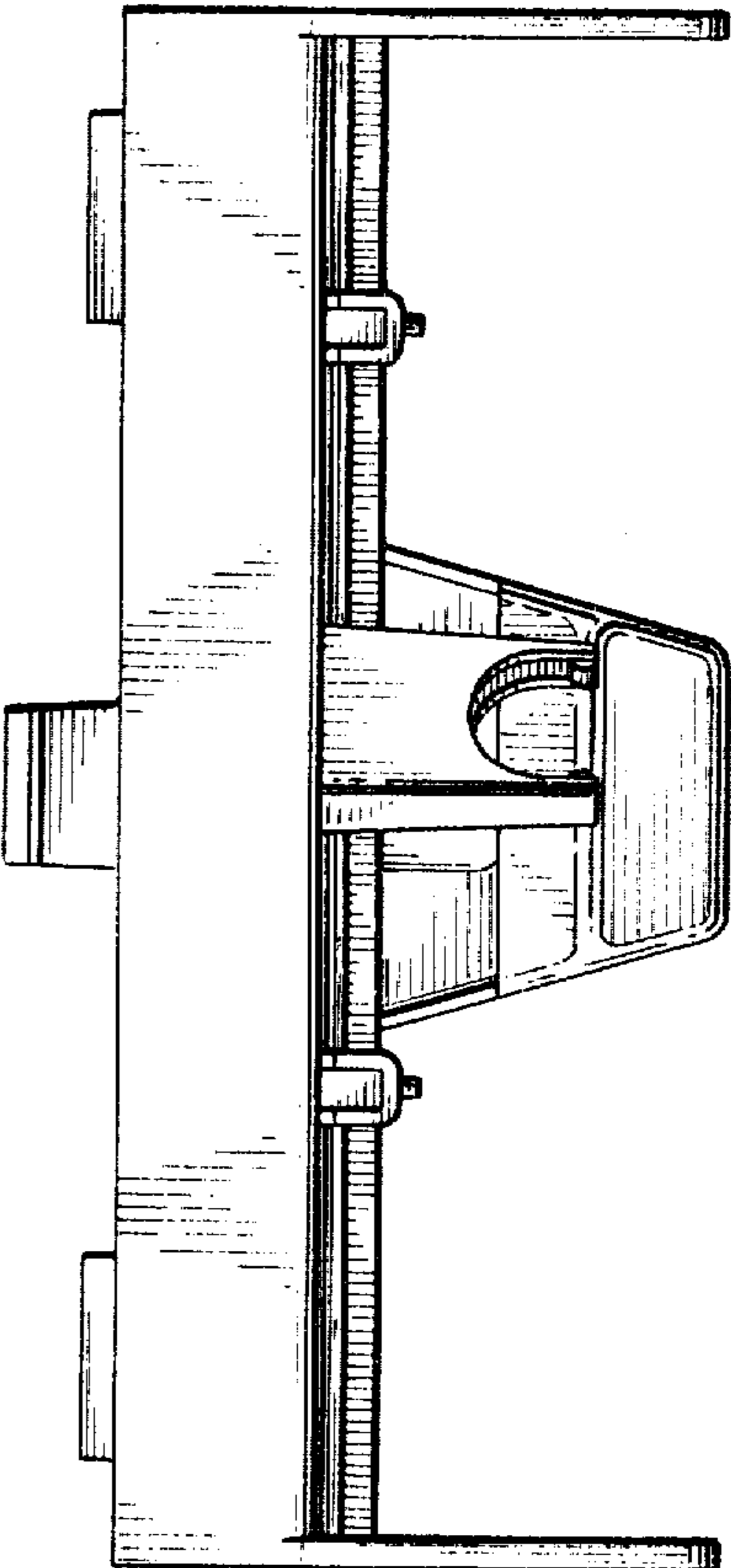
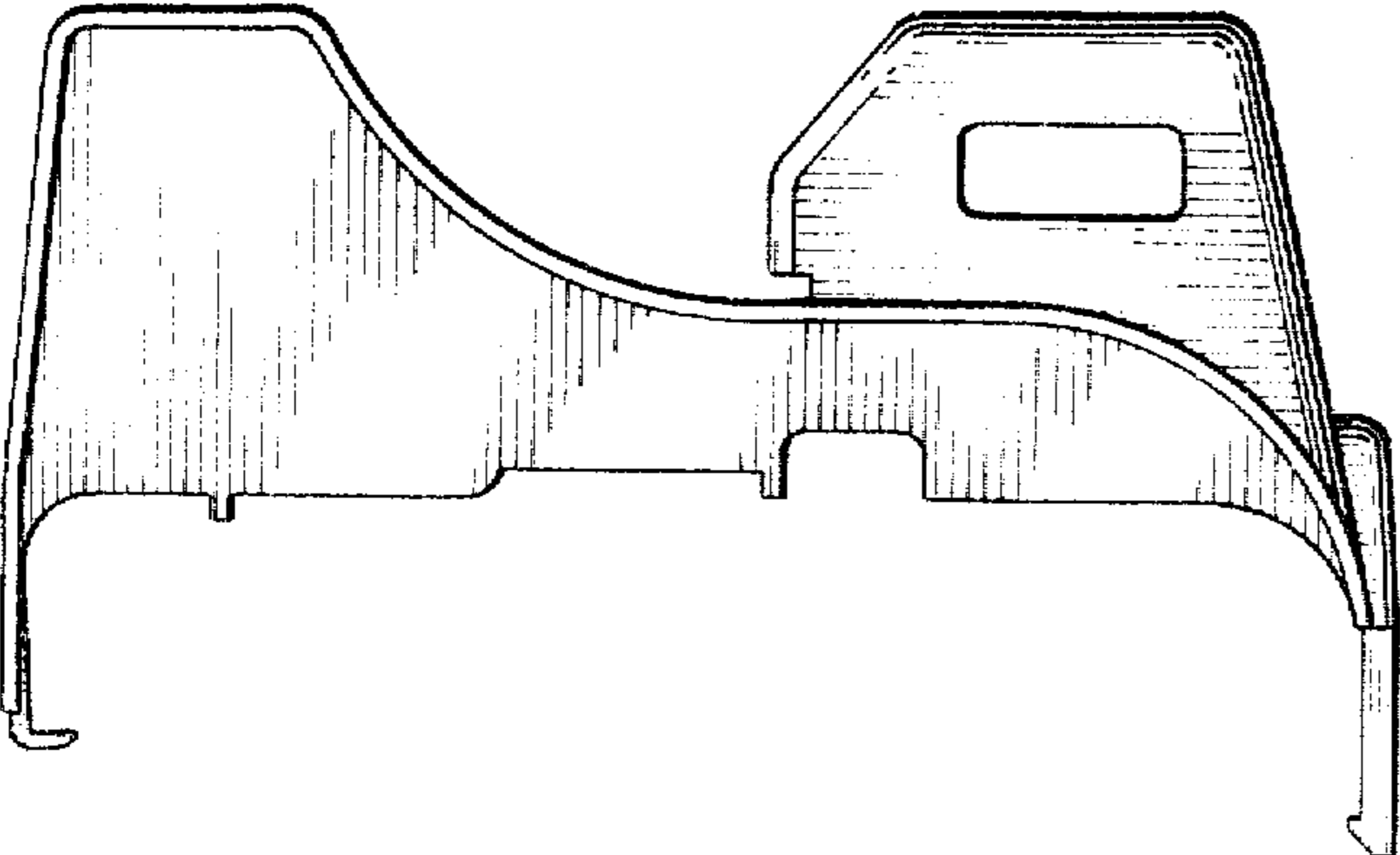


FIG. 2



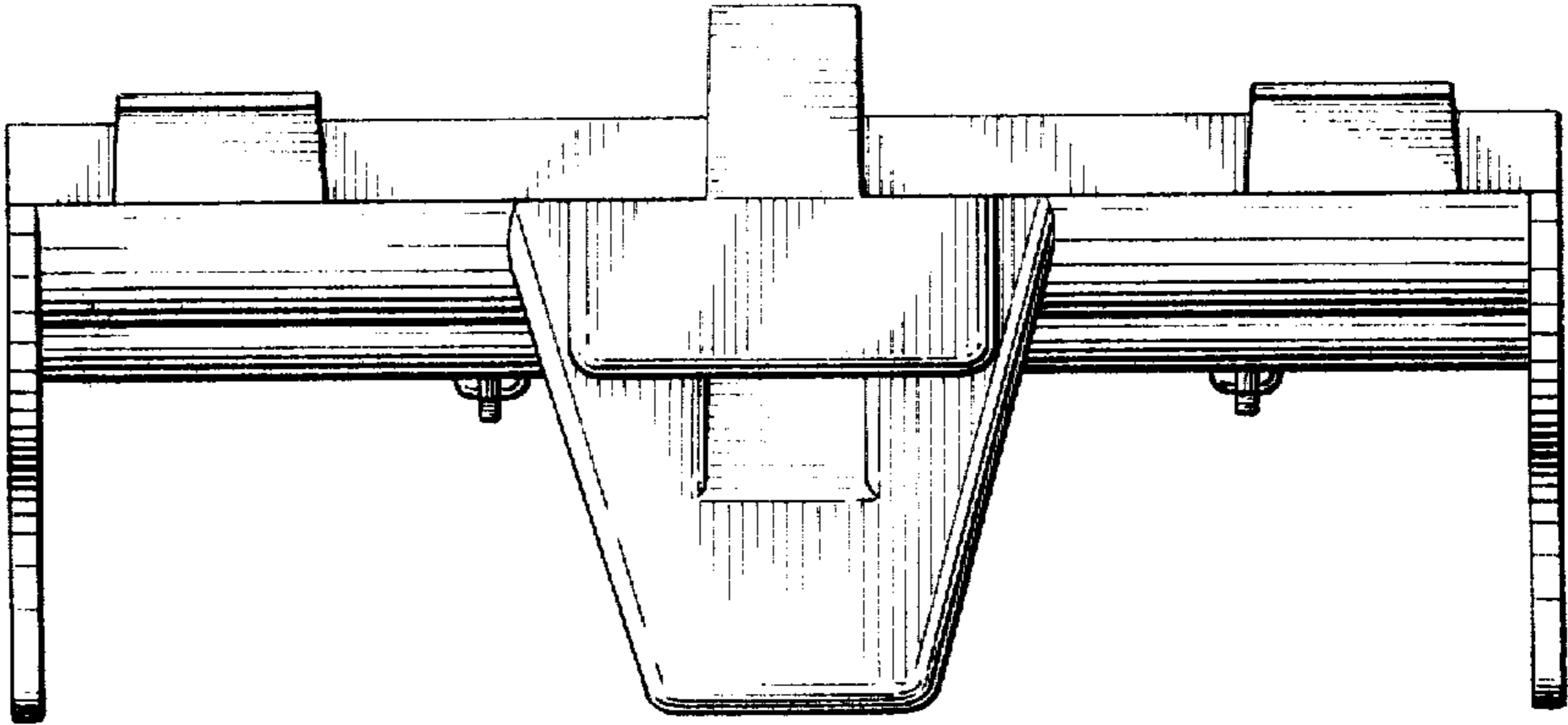


FIG. 5

FIG. 6

