

# United States Patent [19]

Van Dyken et al.

[11] **Des. 272,570**

[45] **\*\* Feb. 7, 1984**

[54] **VACUUM CLEANER WITH CORD WINDER ATTACHMENT**

[75] Inventors: **Alfred E. Van Dyken, Trumbull; Jonn S. Tarnowski, Wilton; George Schick, Easton, all of Conn.**

[73] Assignee: **Electrolux Corporation, Fairfield, Conn.**

[\*\*] Term: **14 Years**

[21] Appl. No.: **238,196**

[22] Filed: **Feb. 25, 1981**

[51] Int. Cl. .... **D15-05**

[52] U.S. Cl. .... **D32/21**

[58] Field of Search ..... **D32/21; 15/327 R, 327 D, 15/327 E**

[56] **References Cited**

**U.S. PATENT DOCUMENTS**

D. 196,632 10/1963 Anderson et al. .... D32/21

D. 235,409 6/1975 Mims ..... D32/21  
D. 243,944 4/1977 Zijlstra ..... D32/21  
2,965,916 12/1960 Beede et al. .... 15/327 E

**OTHER PUBLICATIONS**

*Modern Plastics*, Jul. 1957, p. 11 Electrolux Vacuum Cleaner.

*Primary Examiner*—Wallace R. Burke

*Assistant Examiner*—Lynn Wilder

[57] **CLAIM**

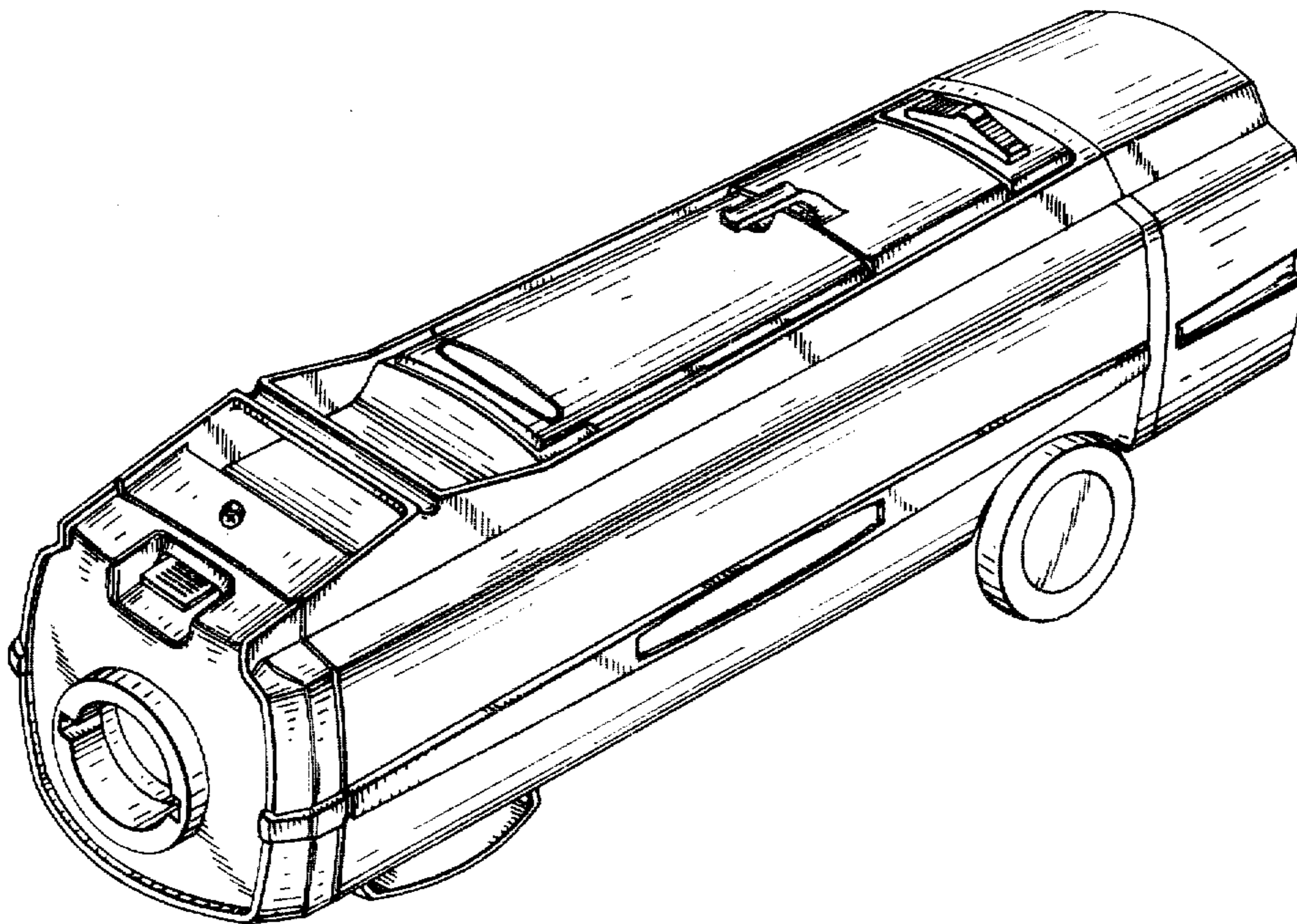
The ornamental design for a vacuum cleaner with cord winder attachment, as shown.

**DESCRIPTION**

FIG. 1 is a perspective view showing the top, front and side of a vacuum cleaner with cord winder attachment according to our new design; and

FIG. 2 is a side elevational view of the vacuum cleaner with cord winder attachment shown in FIG. 1, and;

FIG. 3 is a rear end elevational view of the vacuum cleaner with cord winder attachment shown in FIGS. 1 and 2.



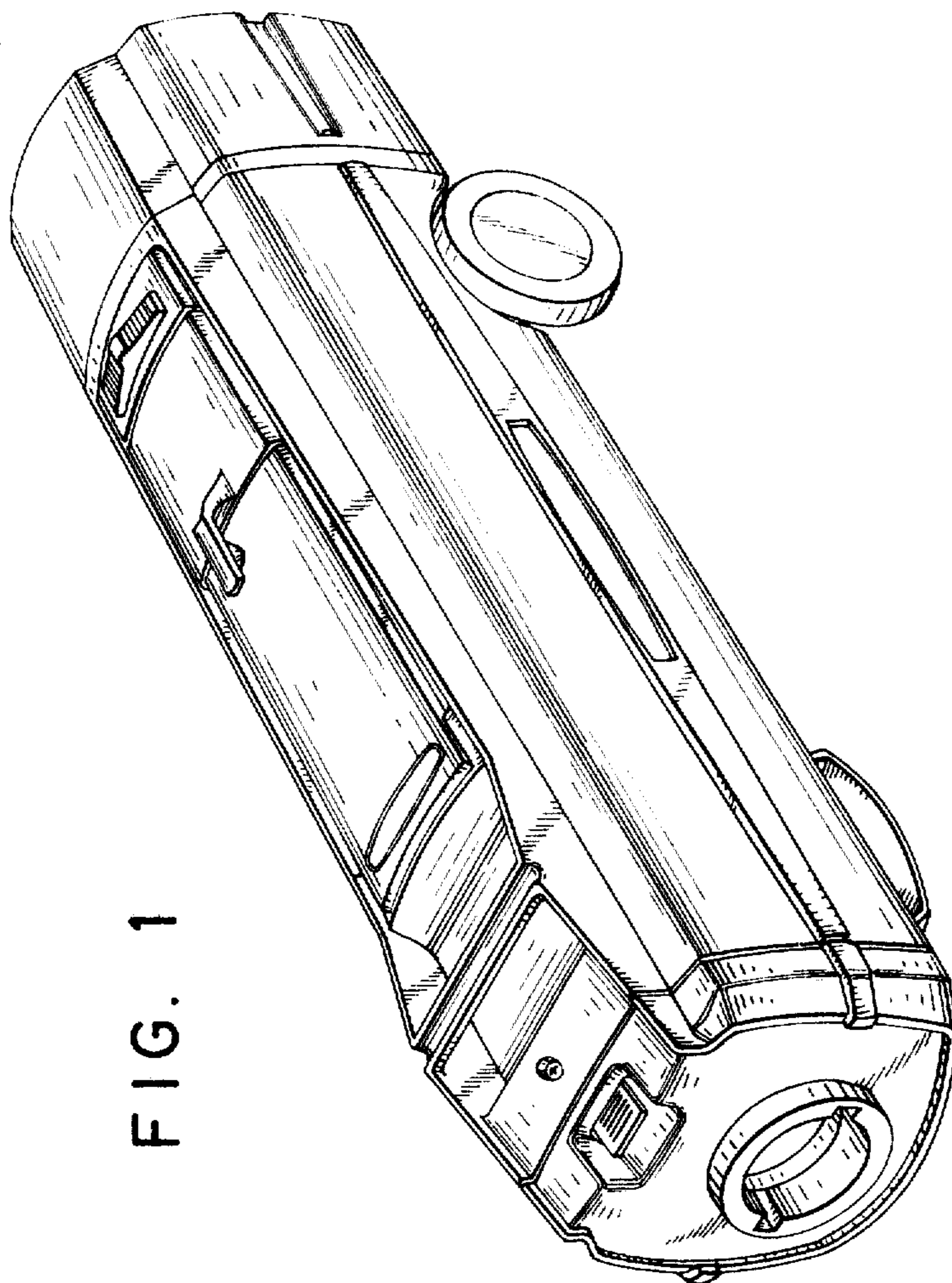


FIG. 1

FIG. 2

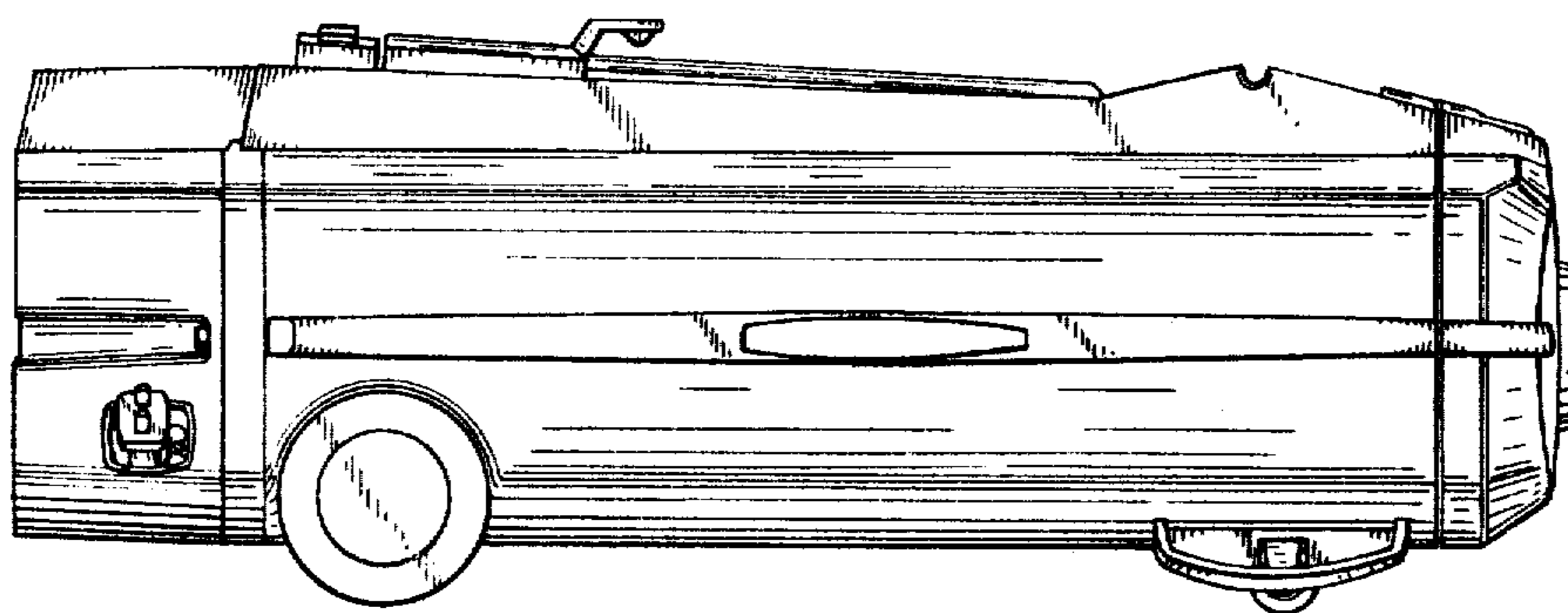


FIG. 3

