

[54] PET LITTER WINDOW BOX

4,348,982 9/1982 Selby 119/1
4,352,340 10/1982 Strubelt 119/1

[76] Inventors: Michael T. Argentine, P.O. Box 4643,
Santa Barbara, Calif. 93103; Darryl
L. Enstad, 550 E. Pleasant Valley
Rd., Port Hvenememe, Calif. 93041

Primary Examiner—Catherine E. Kemper
Attorney, Agent, or Firm—Spensley, Horn, Jubas &
Lubitz

[**] Term: 14 Years

[57] CLAIM

[21] Appl. No.: 291,991

The ornamental design for a pet litter window box, as
shown.

[22] Filed: Nov. 2, 1981

DESCRIPTION

[51] Int. Cl. D30-99

[52] U.S. Cl. D30/99

[58] Field of Search D30/99; 119/1

FIG. 1 is a perspective view of a pet litter window box
showing our new design;

FIG. 2 is a left side elevational view thereof;

FIG. 3 is a front elevational view thereof;

FIG. 4 is a top view thereof;

FIG. 5 is a right side elevational view thereof;

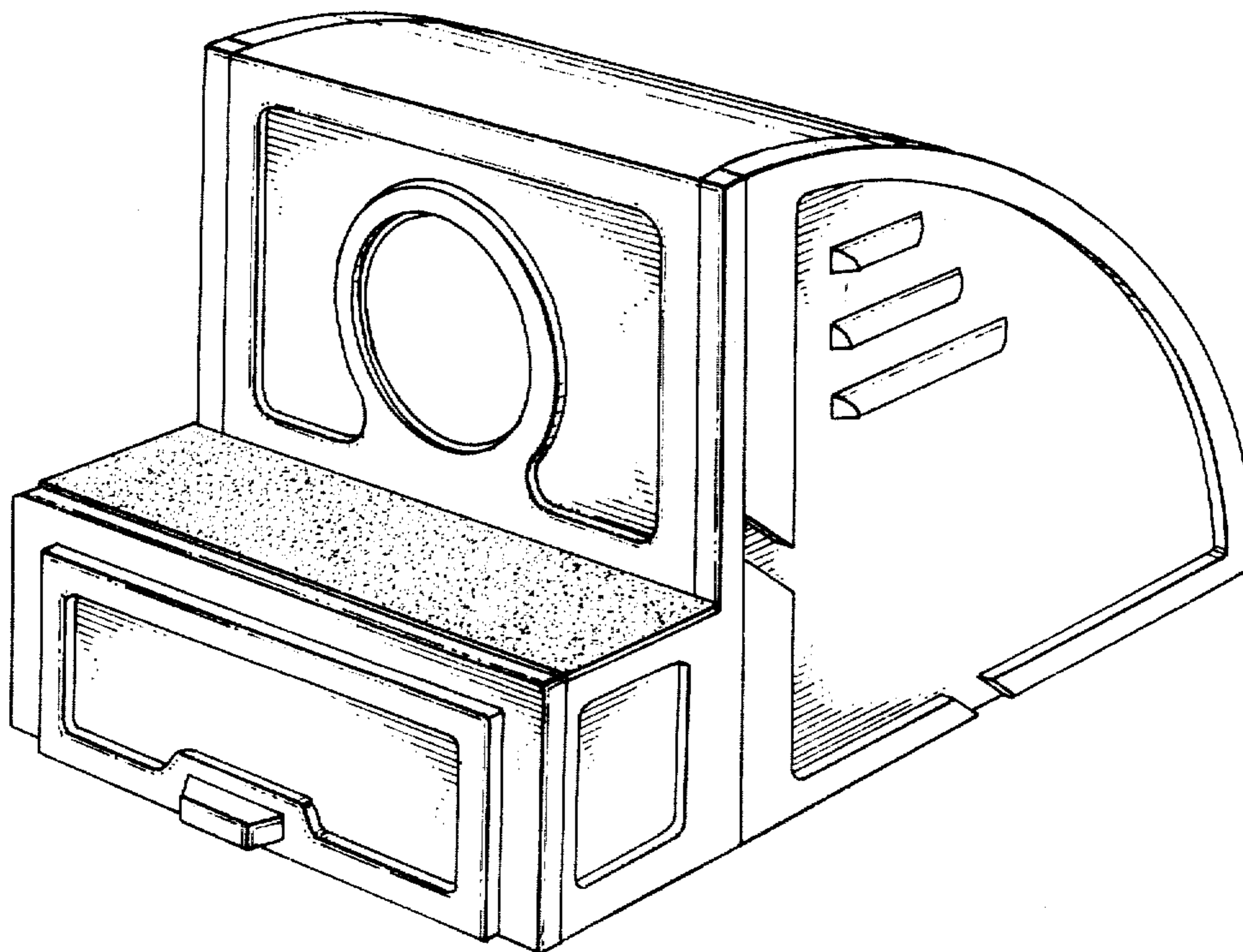
FIG. 6 is a bottom view thereof;

FIG. 7 is a front view thereof showing the front door of
the box separated from the remaining structure of the
box.

[56] References Cited

U.S. PATENT DOCUMENTS

D. 250,051	10/1978	Spinks	D30/99
3,246,630	4/1966	Dearing et al.	119/1
3,885,523	5/1975	Coleman	119/1
4,161,157	7/1979	Haugen	119/1



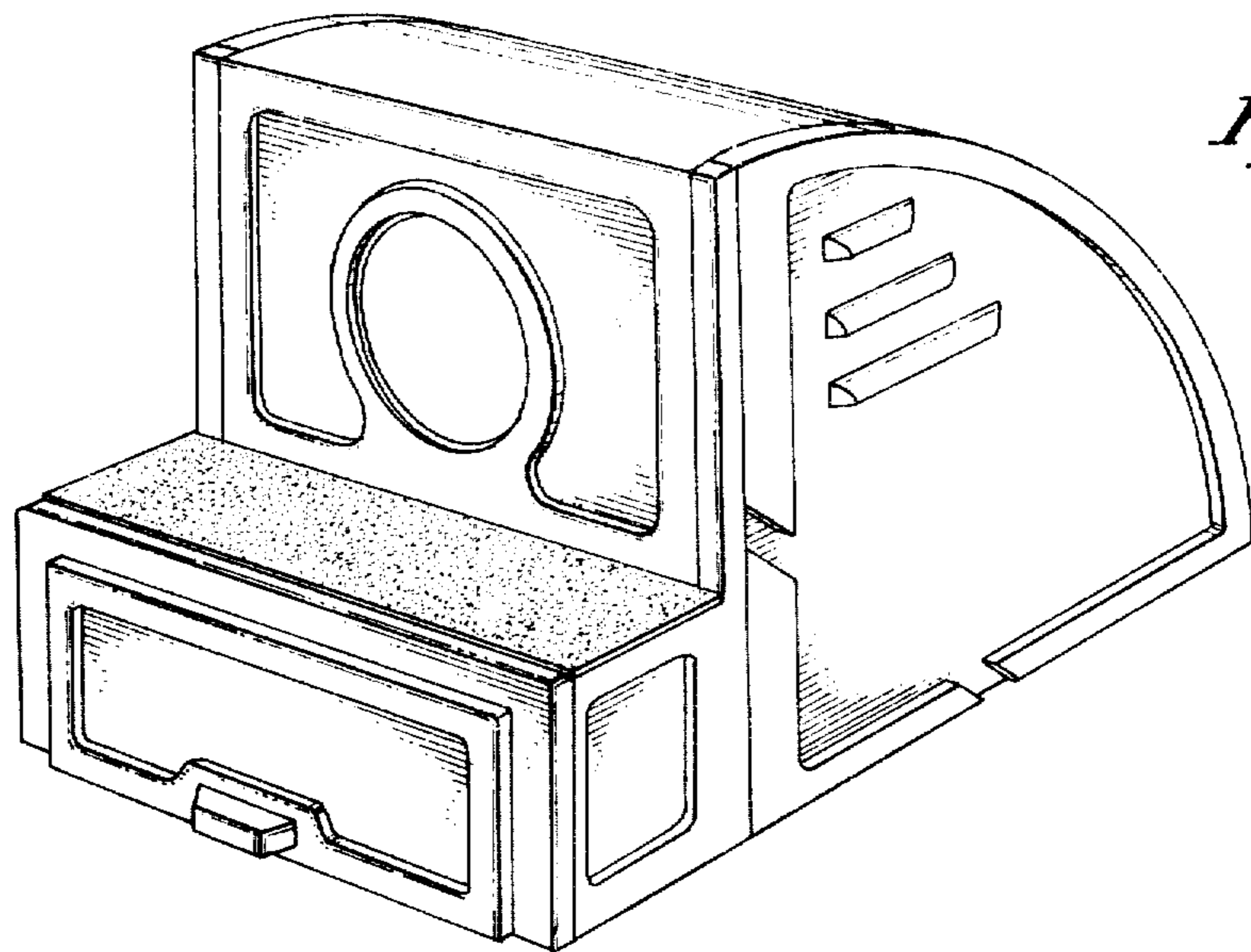


Fig. 1

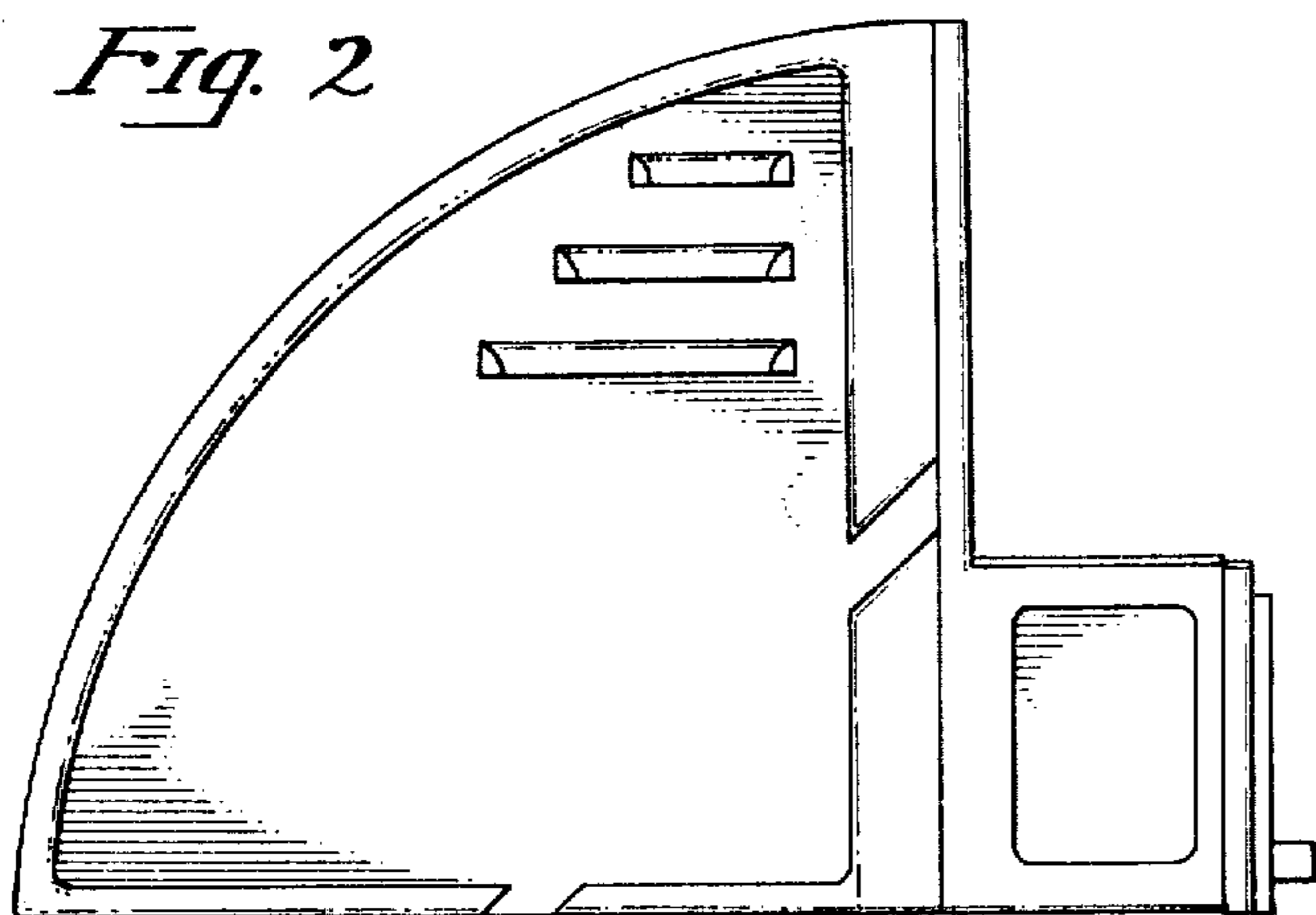


Fig. 2

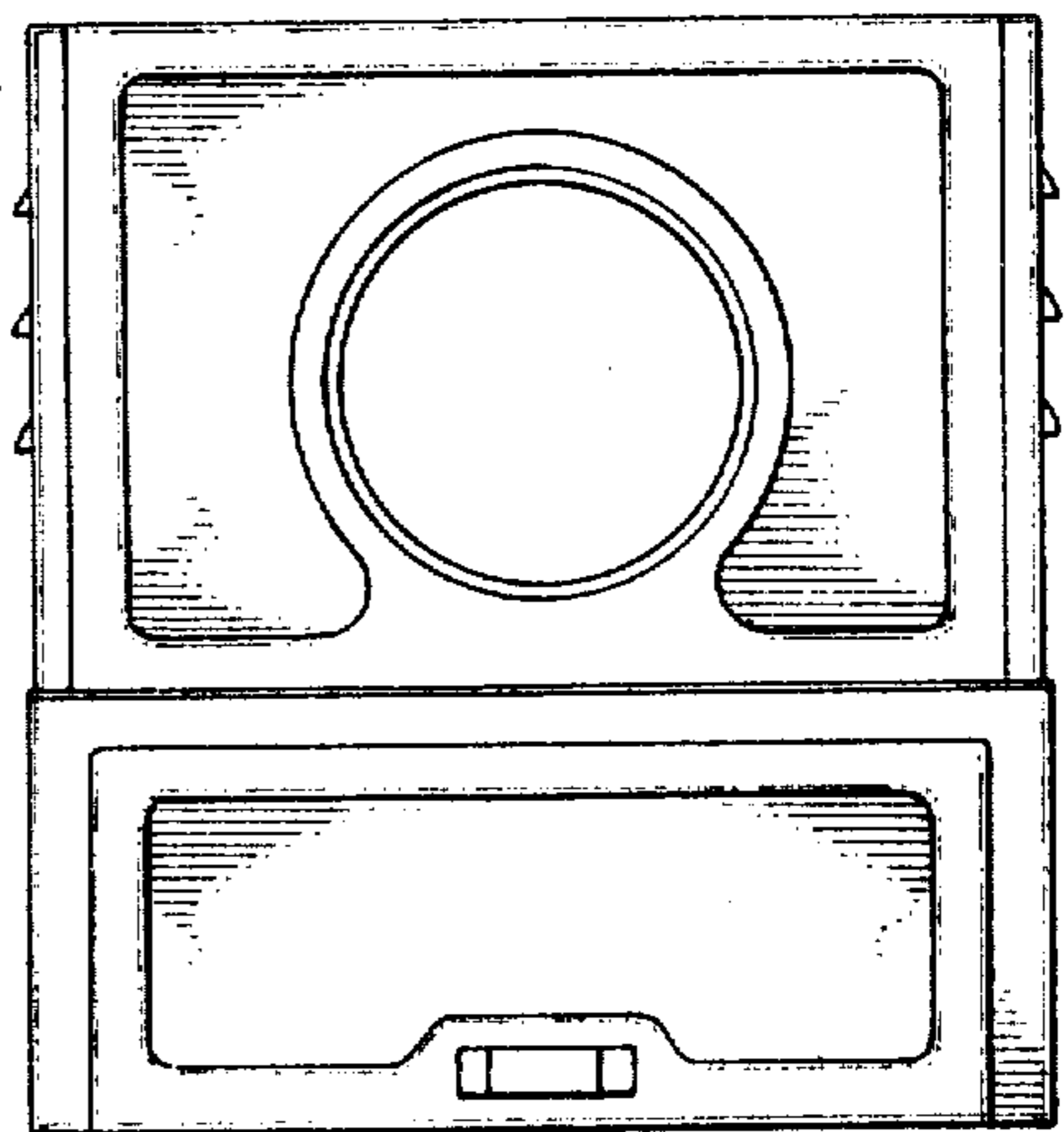


Fig. 3

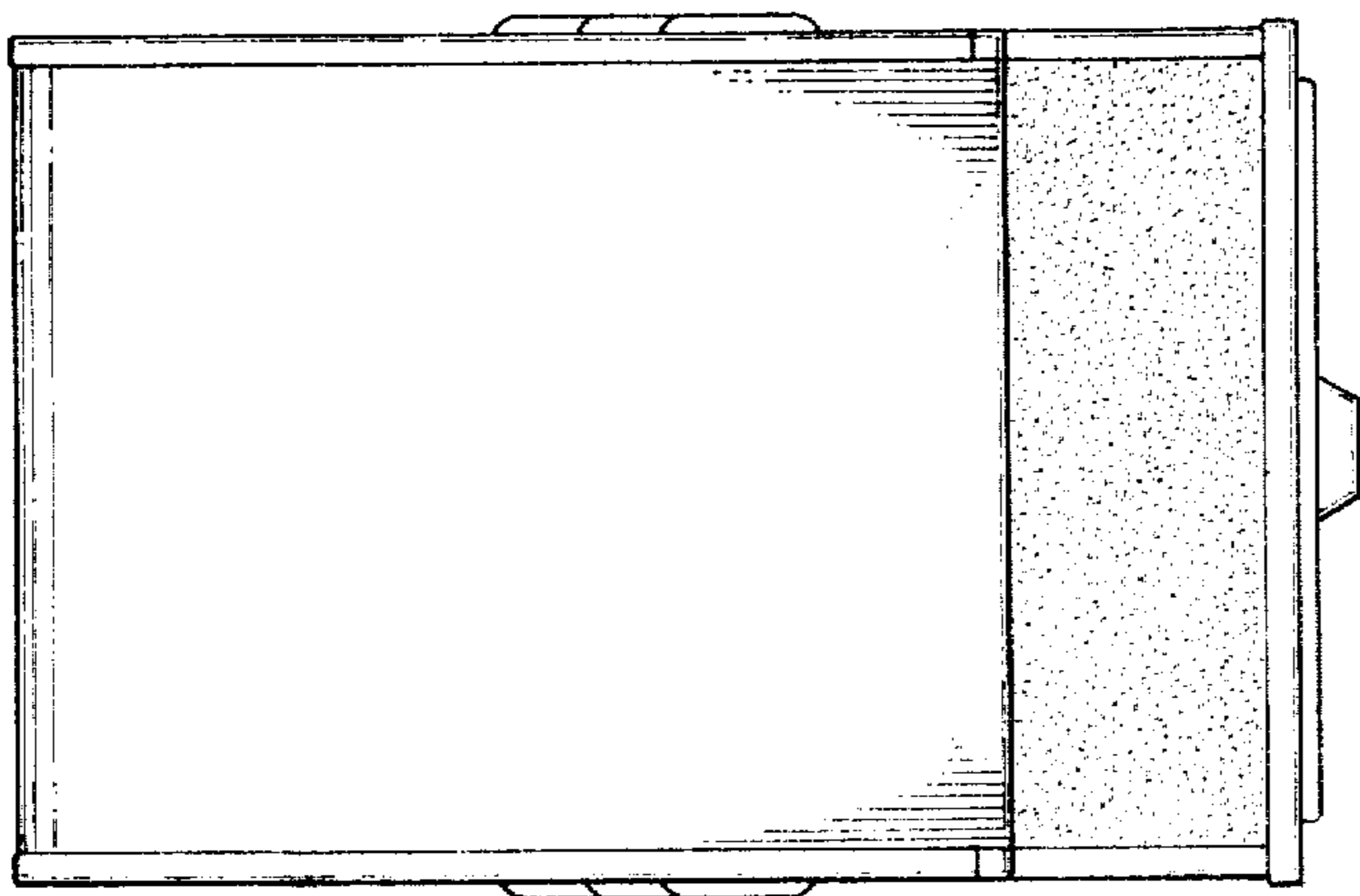


Fig. 4

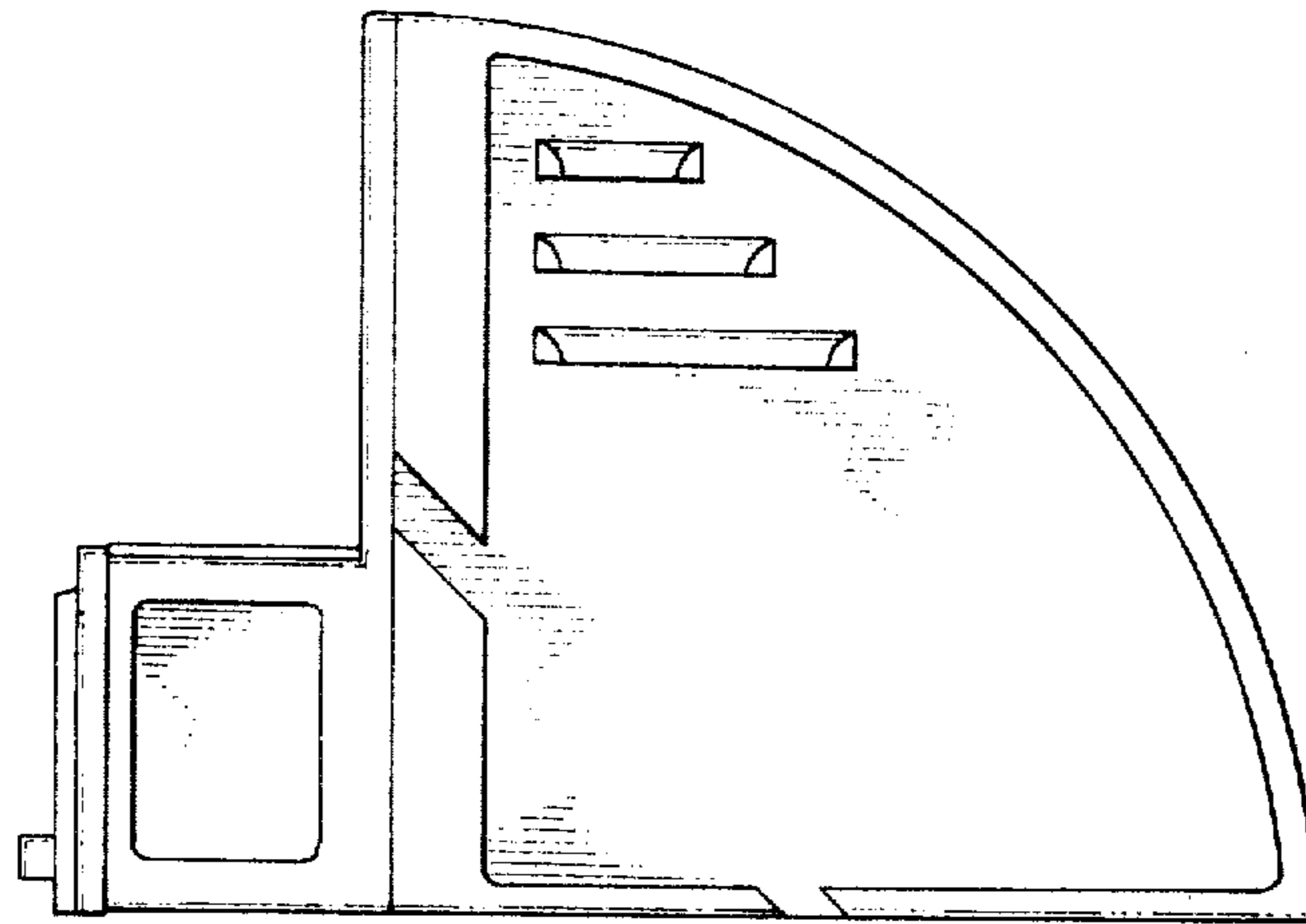


Fig. 5

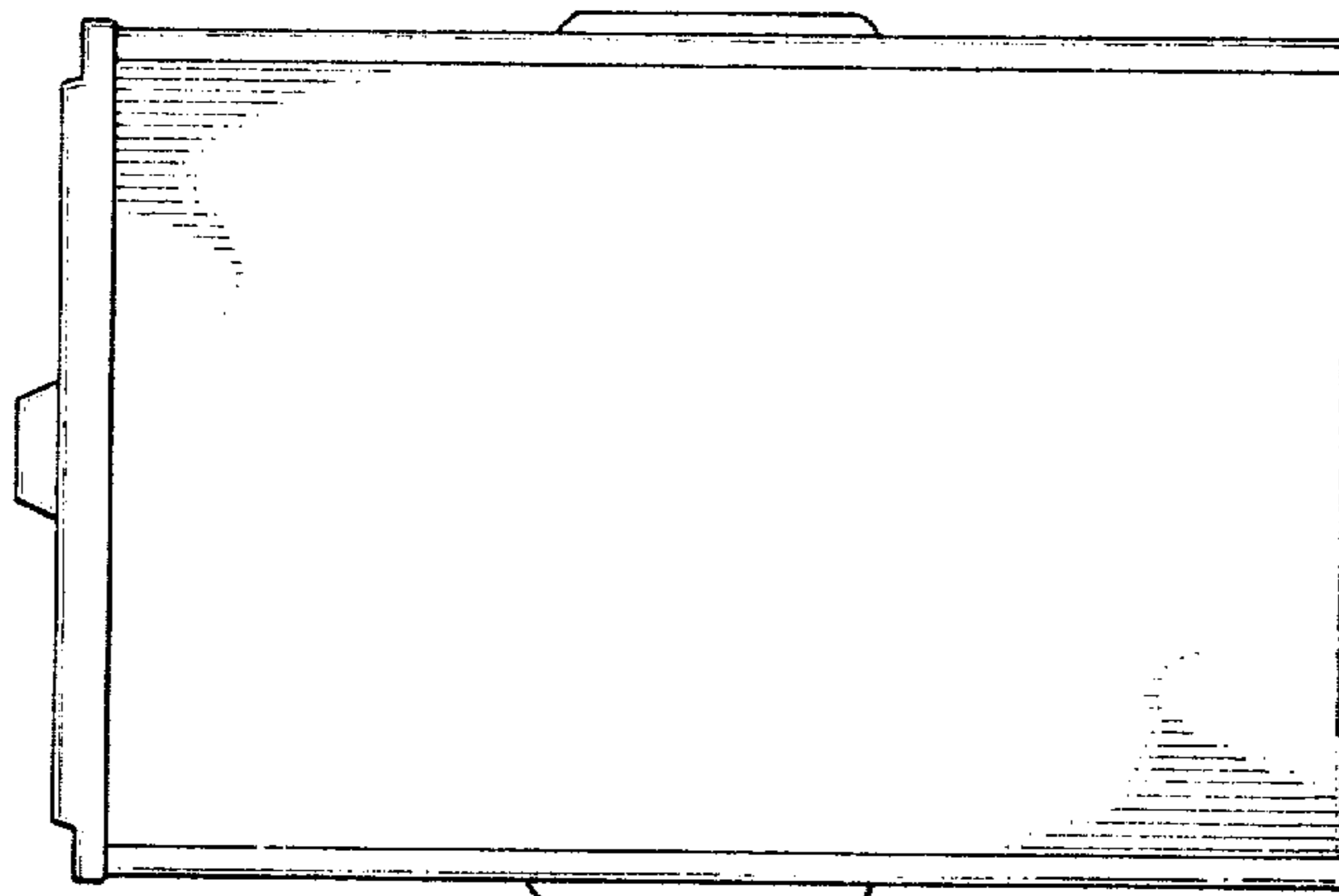


Fig. 6

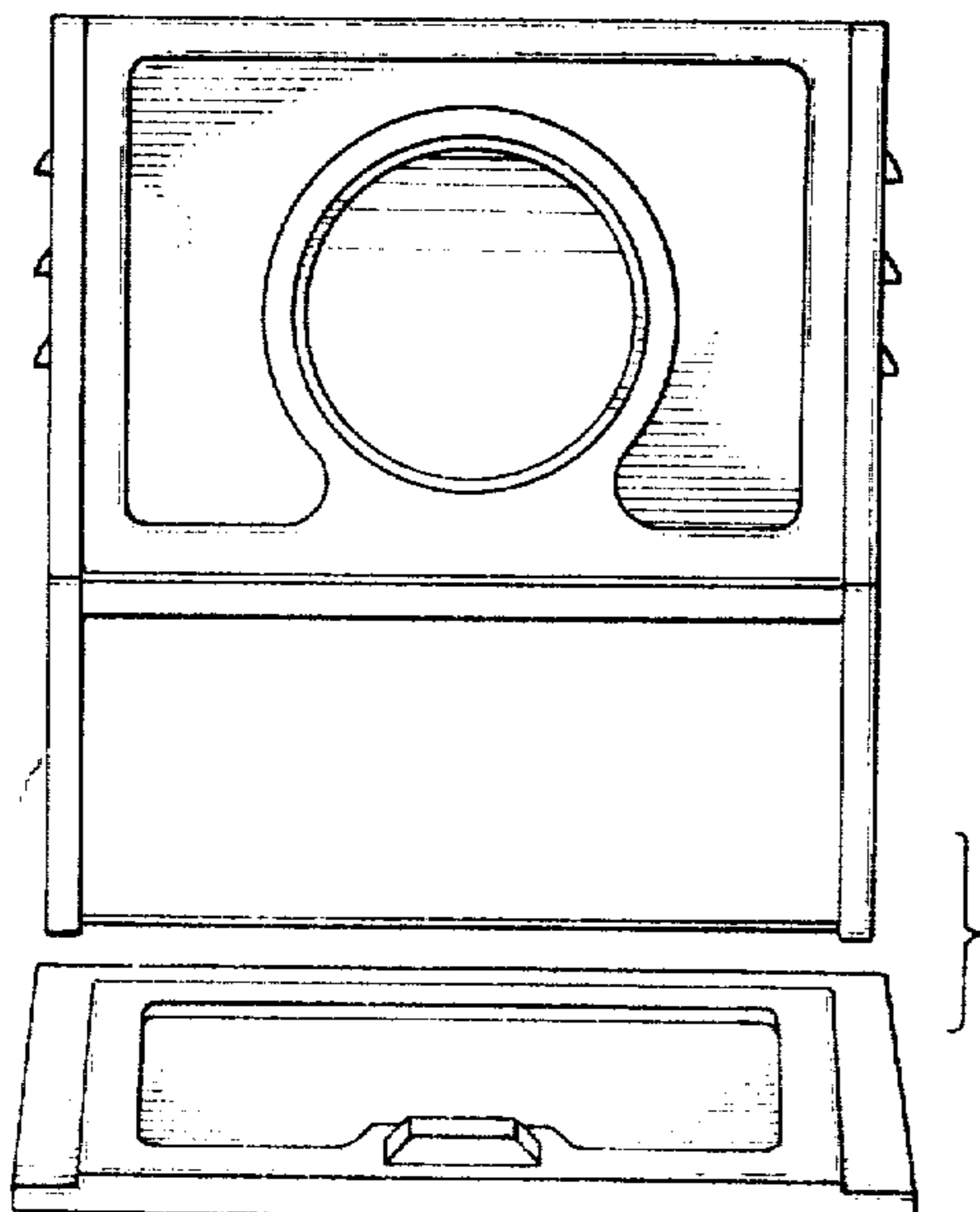


Fig. 7