

[54] GAME BALL RACKET THROATPIECE

3,958,805 5/1976 Cooper 273/73 G

[75] Inventors: Thomas Johnson, Hopewell, N.J.; Paul A. Witte, New Hope, Pa.

OTHER PUBLICATIONS

The Sporting Goods Dealer, Sep. 1976, p. 32, Racket, No. U770.

[73] Assignee: AMF Incorporated, White Plains, N.Y.

Primary Examiner—Melvin B. Feifer
Attorney, Agent, or Firm—R. Gale Rhodes, Jr.

[**] Term: 14 Years

[21] Appl. No.: 336,257

[57] CLAIM

[22] Filed: Jan. 6, 1982

The ornamental design for a game ball racket throatpiece, as shown and described.

[51] Int. Cl. D21-02

DESCRIPTION

[52] U.S. Cl. D21/212

[58] Field of Search D21/212; 273/73 G, 73 H, 273/73 R

FIG. 1 is a front or back plan view of a game ball racket throatpiece showing our new design; FIG. 2 is a top view of the throatpiece of FIG. 1; FIG. 3 is a bottom view of the throatpiece of FIG. 1; FIG. 4 is a side view of the throatpiece of FIG. 1; and FIG. 5 is a cross-sectional view of the throatpiece taken generally along the line 5-5 of FIG. 1.

[56] References Cited

U.S. PATENT DOCUMENTS

3,702,701 11/1972 Vaughn et al. 273/73 G

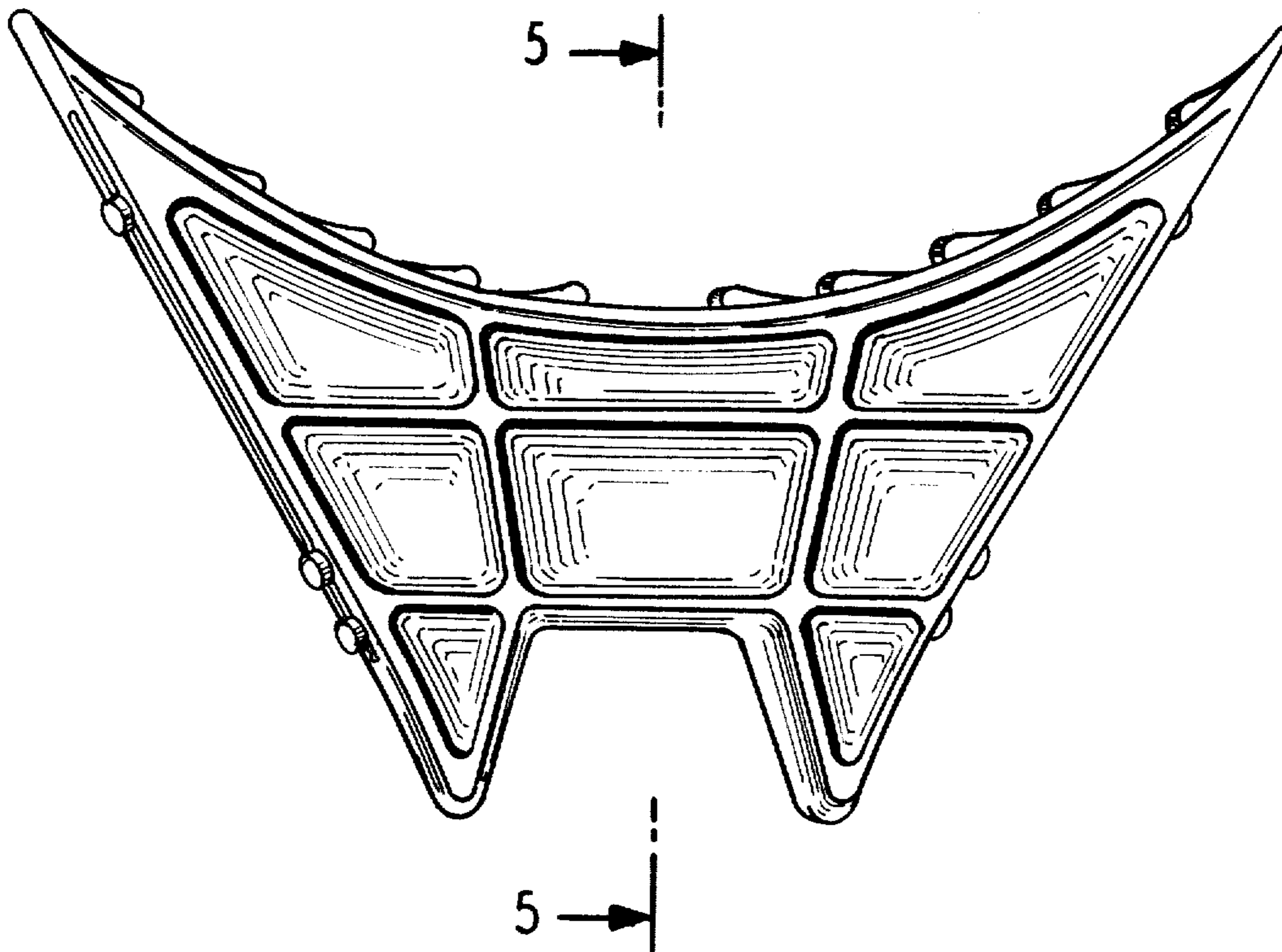


FIG. 1

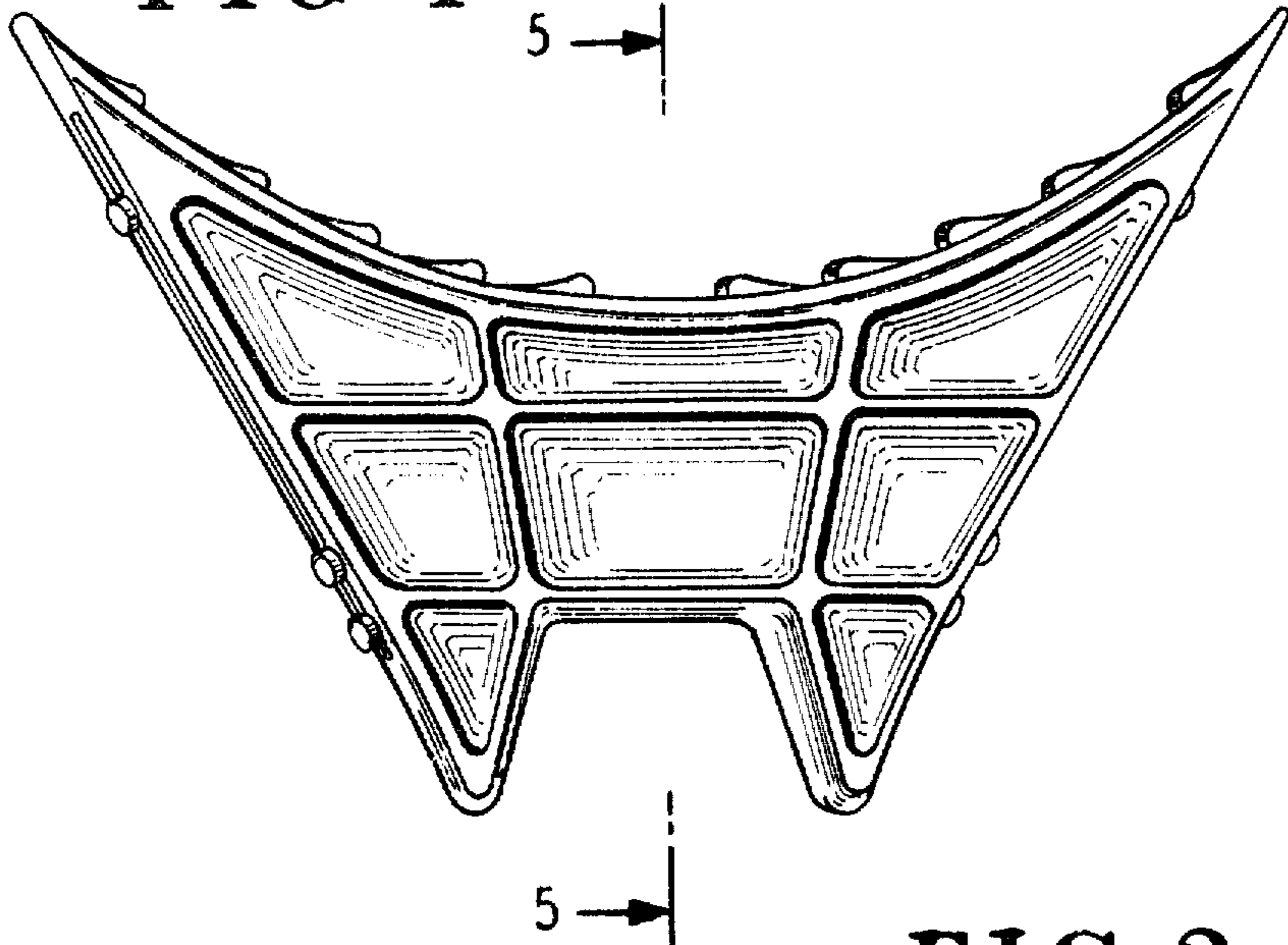


FIG. 2

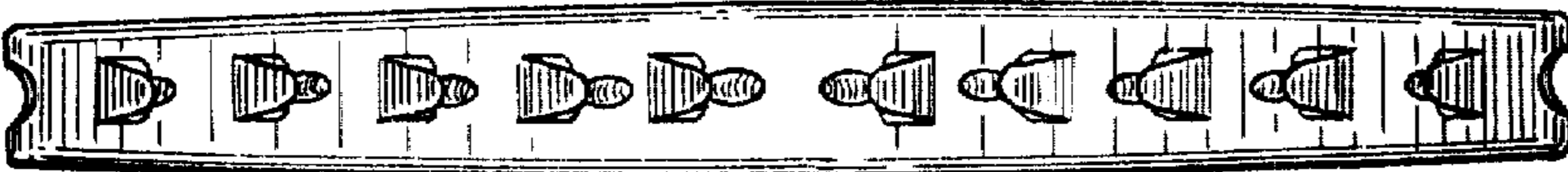


FIG. 5



FIG. 4

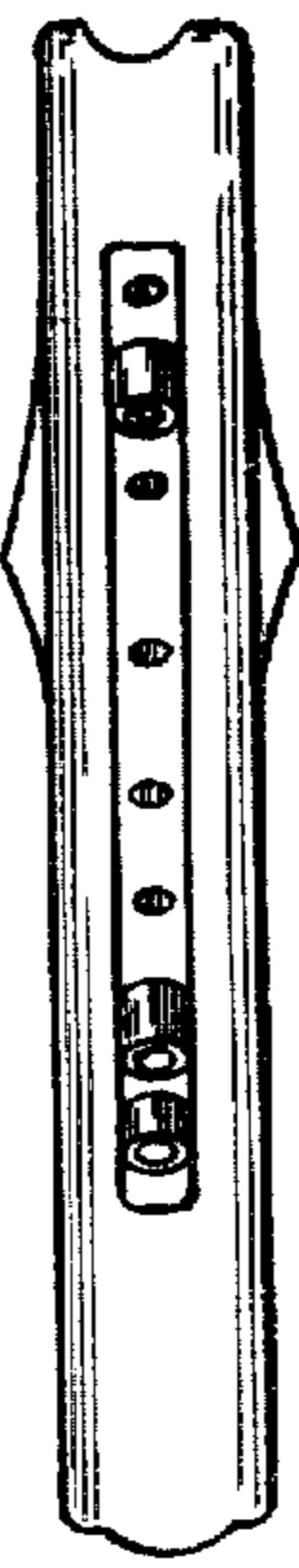


FIG. 3

