

[54] **TOY SHOVEL**

[75] **Inventor:** **W. Porter Clanton, East Aurora, N.Y.**

[73] **Assignee:** **The Quaker Oats Company, Chicago, Ill.**

[**] **Term:** **14 Years**

[21] **Appl. No.:** **332,452**

[22] **Filed:** **Dec. 21, 1981**

[51] **Int. Cl.** **D21—01**

[52] **U.S. Cl.** **D21/120**

[58] **Field of Search** **D21/120, 121, 252, 159; D7/50, 101, 102; 46/1 R, 11; D8/10, 11, 13; 7/114, 116**

[56] **References Cited**

U.S. PATENT DOCUMENTS

- D. 198,533 6/1964 Langlie et al. D8/10
- D. 211,047 5/1968 Johnson D7/50
- D. 261,540 10/1981 Appel et al. D21/120

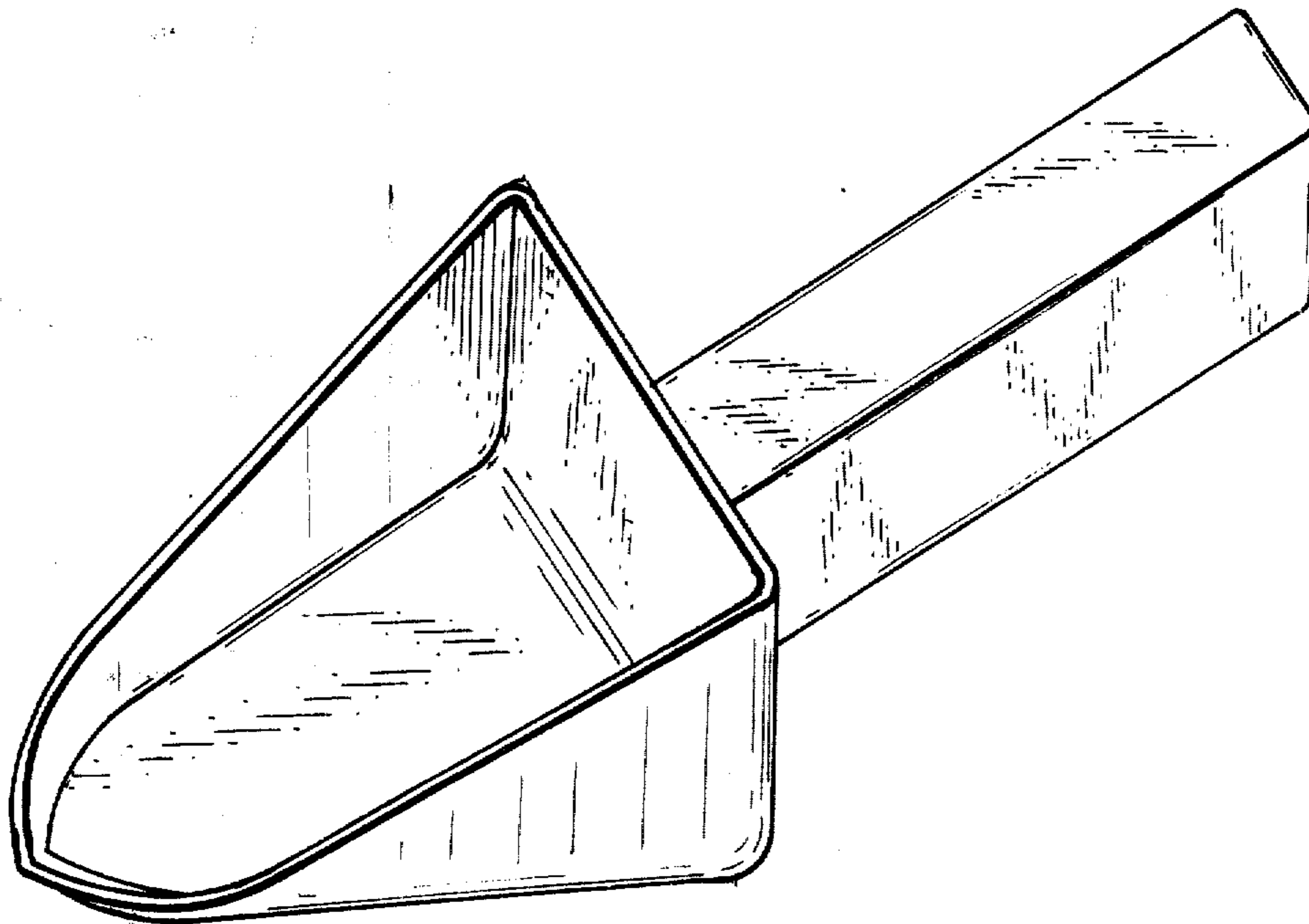
Primary Examiner—Charles A. Rademaker
Attorney, Agent, or Firm—Cumpston & Shaw

[57] **CLAIM**

The ornamental design for a toy shovel, substantially as shown and described.

DESCRIPTION

FIG. 1 is a front perspective view of a toy shovel showing my new design;
FIG. 2 is a rear elevational view thereof;
FIG. 3 is a left side view thereof, the right side being substantially a mirror image; and
FIG. 4 is a bottom plan view thereof.



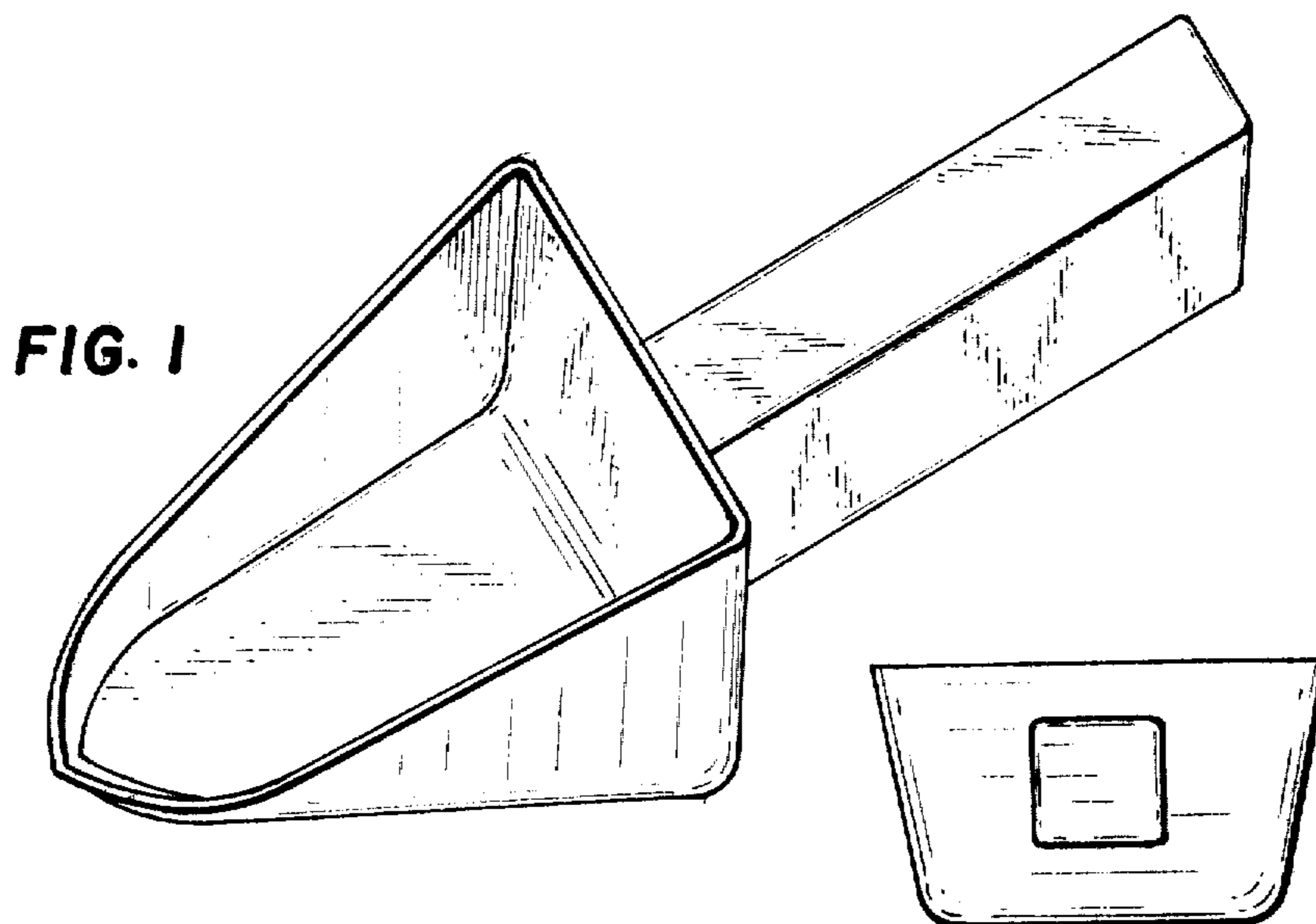


FIG. 1

FIG. 2

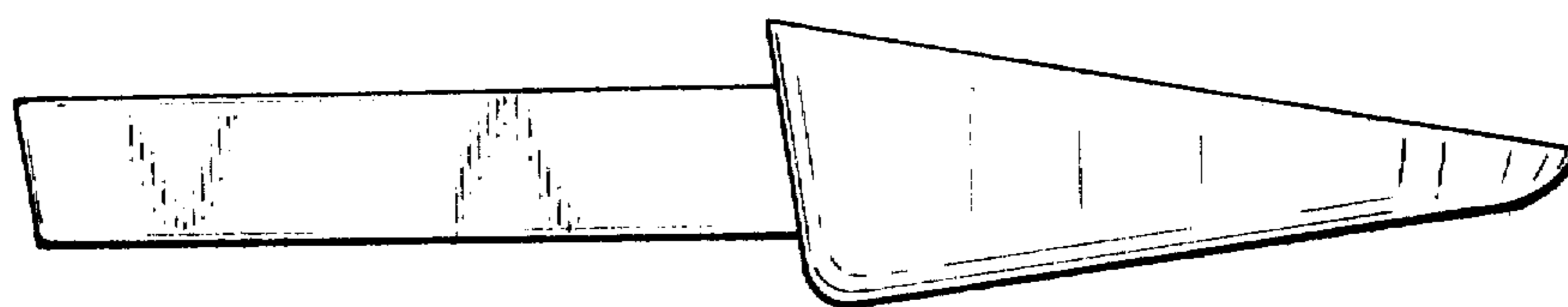


FIG. 3

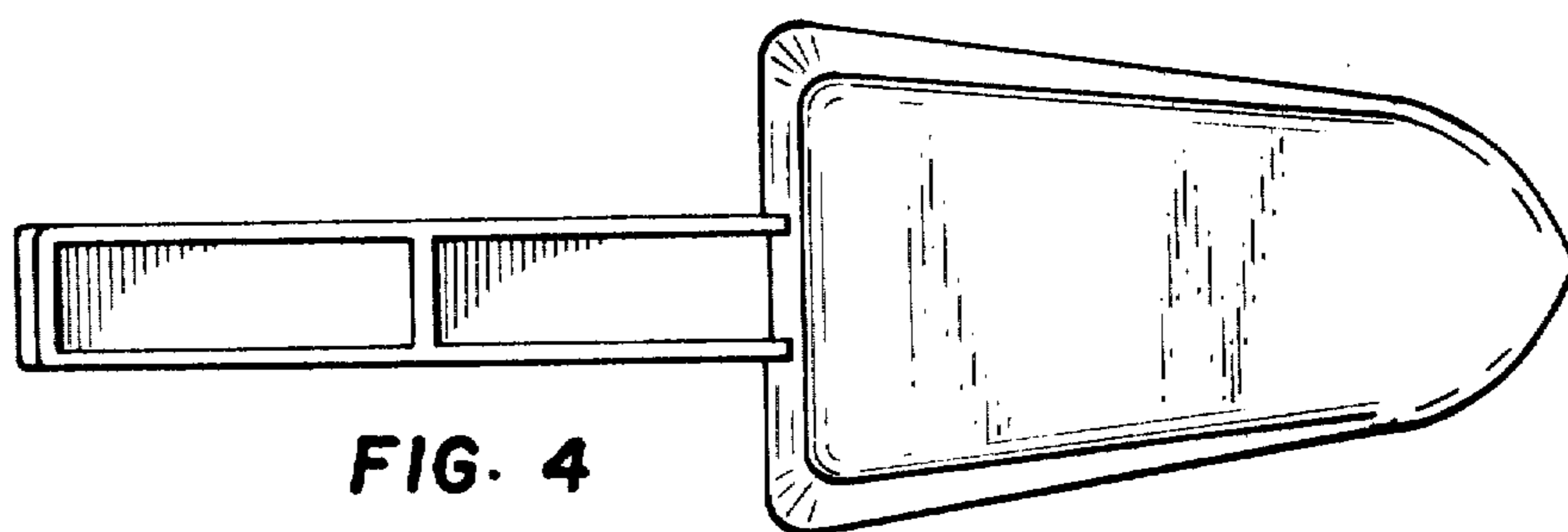


FIG. 4