

[54] MACHINE FOR STRETCH FILM WRAPPING OF PALLETIZED LOADS
[76] Inventor: Joseph Goldstein, 1325 Southwind Cir., Westlake Village, Calif. 91361
[**] Term: 14 Years
[21] Appl. No.: 297,064
[22] Filed: Aug. 27, 1981
[51] Int. Cl. D15-99
[52] U.S. Cl. D15/145
[58] Field of Search D15/145; 53/211, 587

3,867,806 2/1975 Lancaster et al. 53/587
4,152,879 5/1979 Shulman 53/211
4,248,031 2/1981 Del Pozo, Jr. 53/587
4,299,076 11/1981 Humphrey 53/587

Primary Examiner—B. J. Bullock
Attorney, Agent, or Firm—Allan M. Shapiro

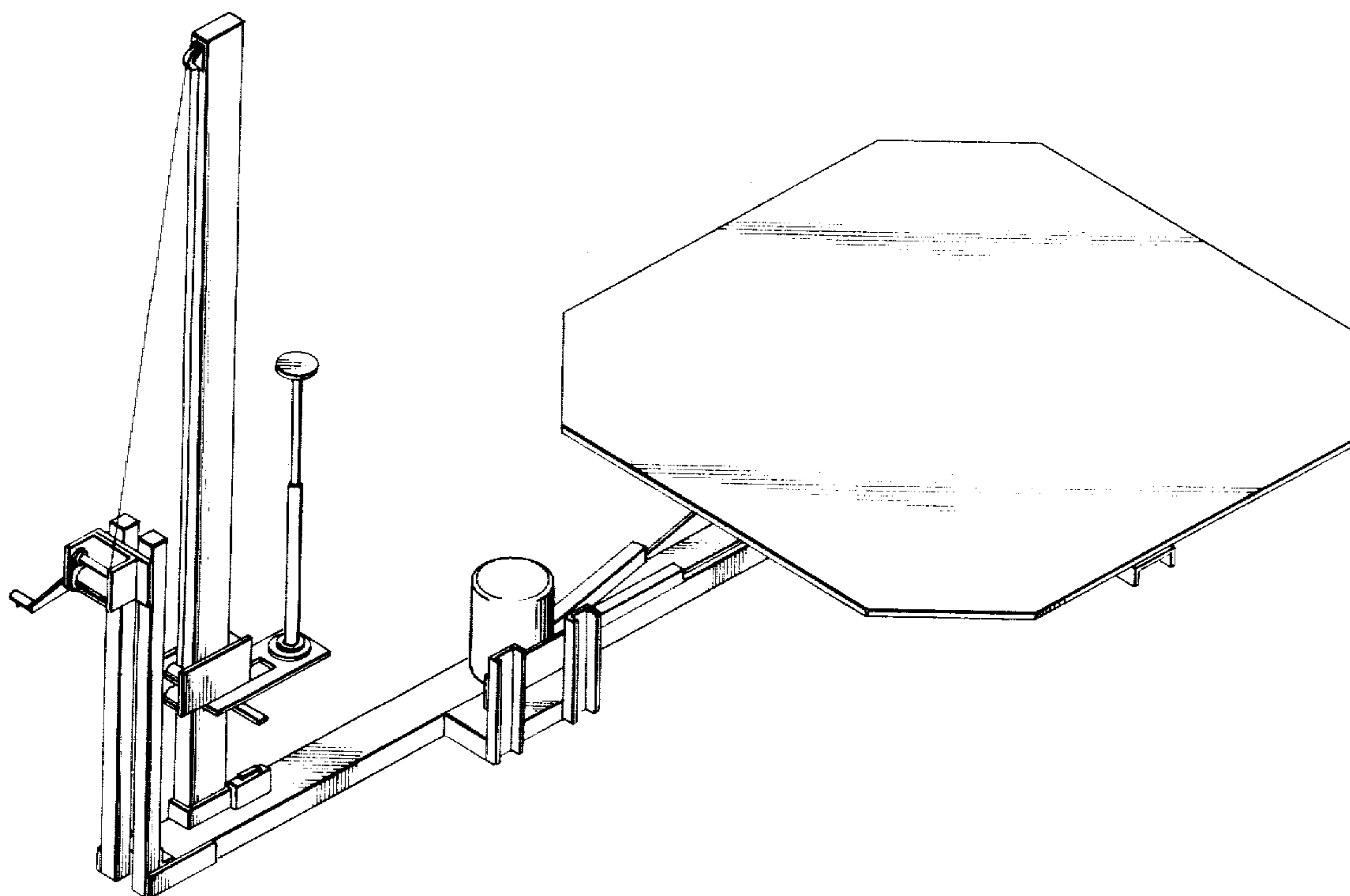
[57] CLAIM

The ornamental design for a machine for stretch film wrapping of palletized loads, substantially as shown and described.

DESCRIPTION

FIG. 1 is a perspective view of a machine for stretch film wrapping of palletized loads, showing my new design;
FIG. 2 is an elevational view of the side opposite that shown in FIG. 1;
FIG. 3 is a bottom plan view thereof.

[56] References Cited
U.S. PATENT DOCUMENTS
D. 242,576 11/1976 Shulman D15/145
D. 256,022 7/1980 Shulman D15/145



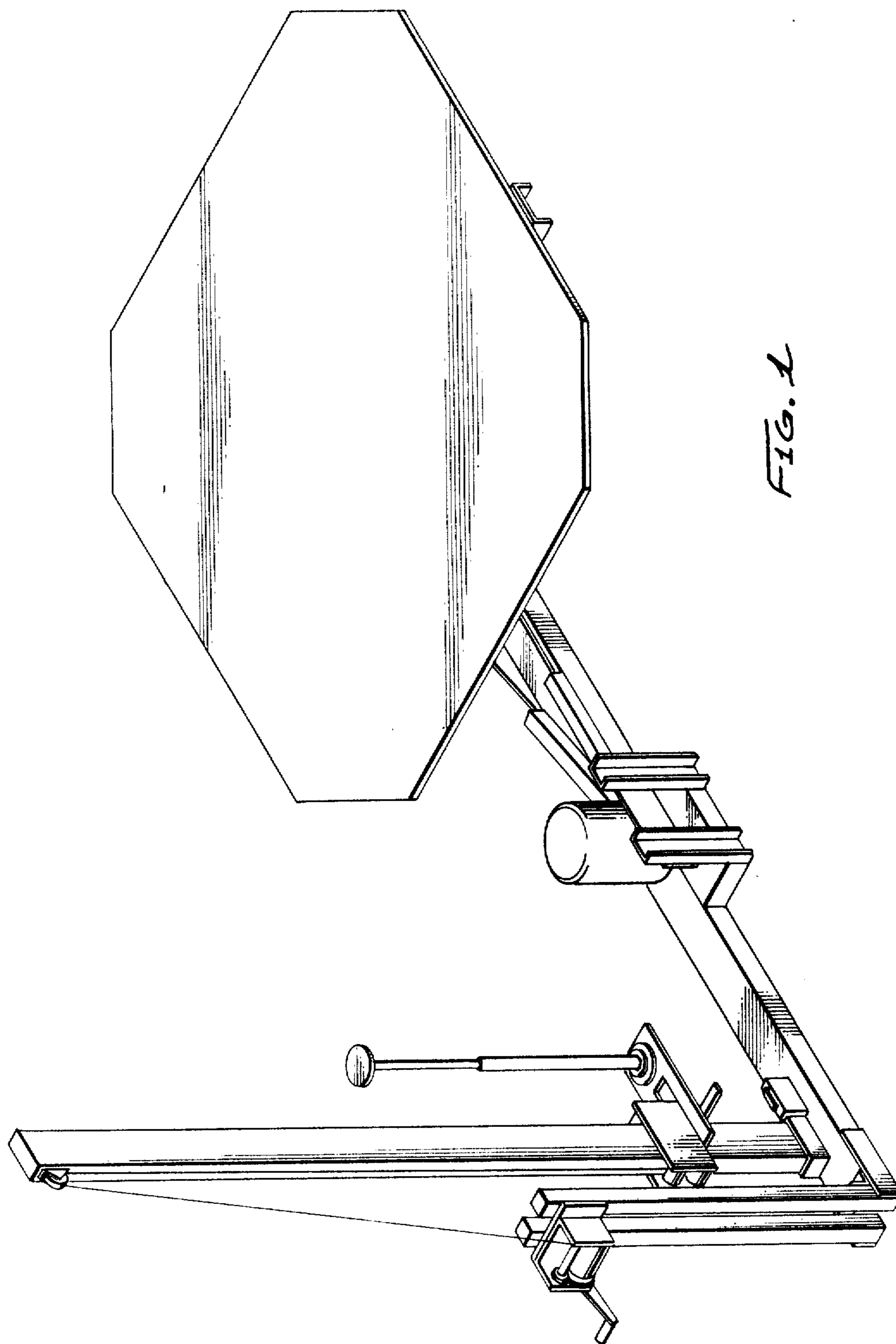


FIG. 1

FIG. 2

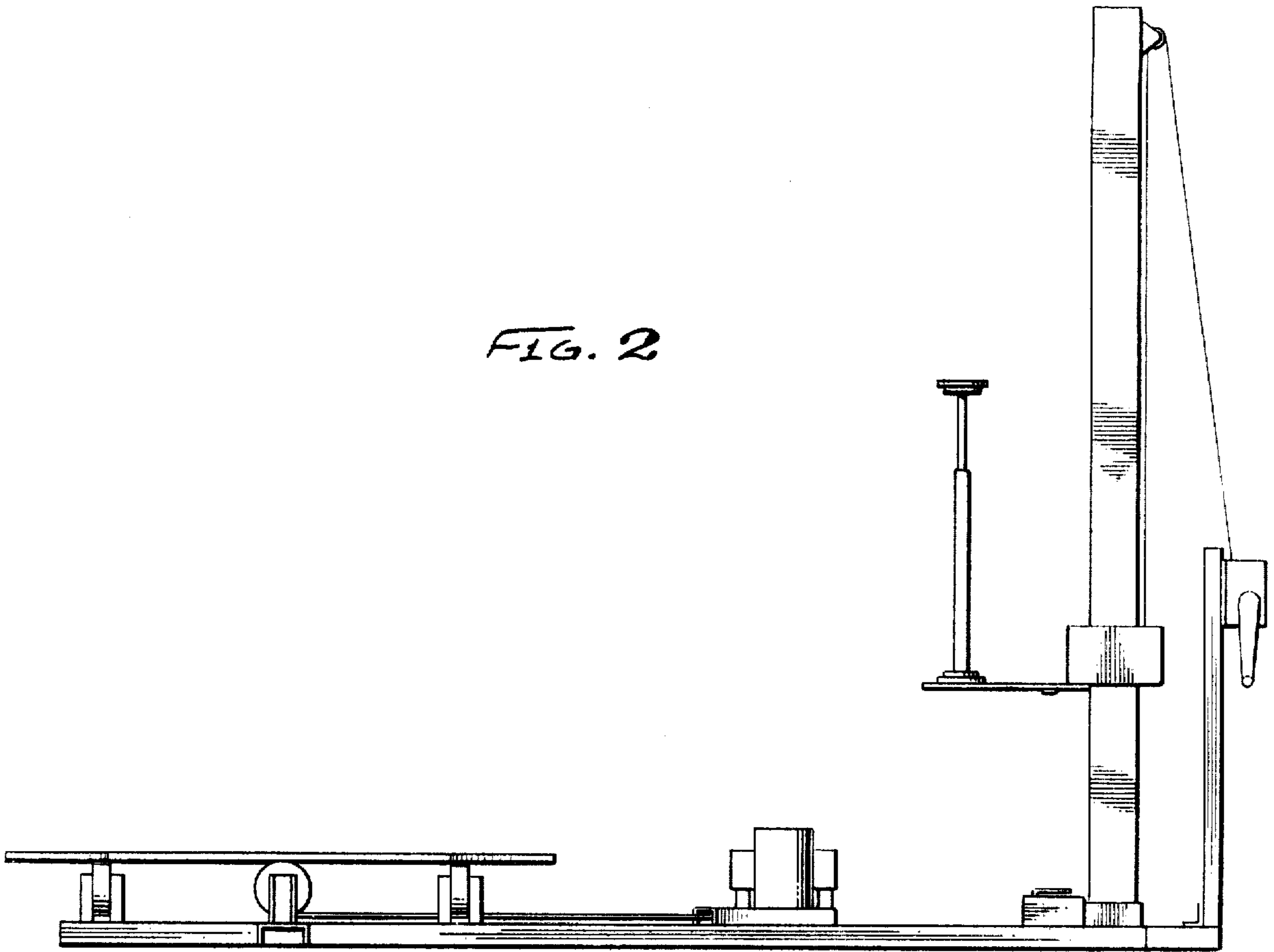


FIG. 3

