

[54] ANTENNA MOUNT

[76] Inventor: Helmut Spycher, Klosterstrasse 40, CH-5430 Wettingen, Switzerland

[**] Term: 14 Years

[21] Appl. No.: 310,892

[22] Filed: Oct. 13, 1981

[51] Int. Cl. D14-03

[52] U.S. Cl. D14/91

[58] Field of Search D14/86, 91; 343/702, 343/715, 880

[56] References Cited

U.S. PATENT DOCUMENTS

- 4,035,806 7/1977 Powell 343/715
- 4,037,229 7/1977 Dunk 343/715

FOREIGN PATENT DOCUMENTS

- 1227350 8/1960 France 343/715
- 1246871 10/1960 France 343/713
- 1247047 10/1960 France 343/713

Primary Examiner—Jane E. Corrigan
Attorney, Agent, or Firm—Paul Stux

[57] CLAIM

The ornamental design for an antenna mount, as shown and described.

DESCRIPTION

FIG. 1 is a top plan view of an antenna mount showing my new design;
FIG. 2 is a front elevational view;
FIG. 3 is a bottom plan view;
FIG. 4 is a rear elevational view; and
FIG. 5 is a right side elevational view.

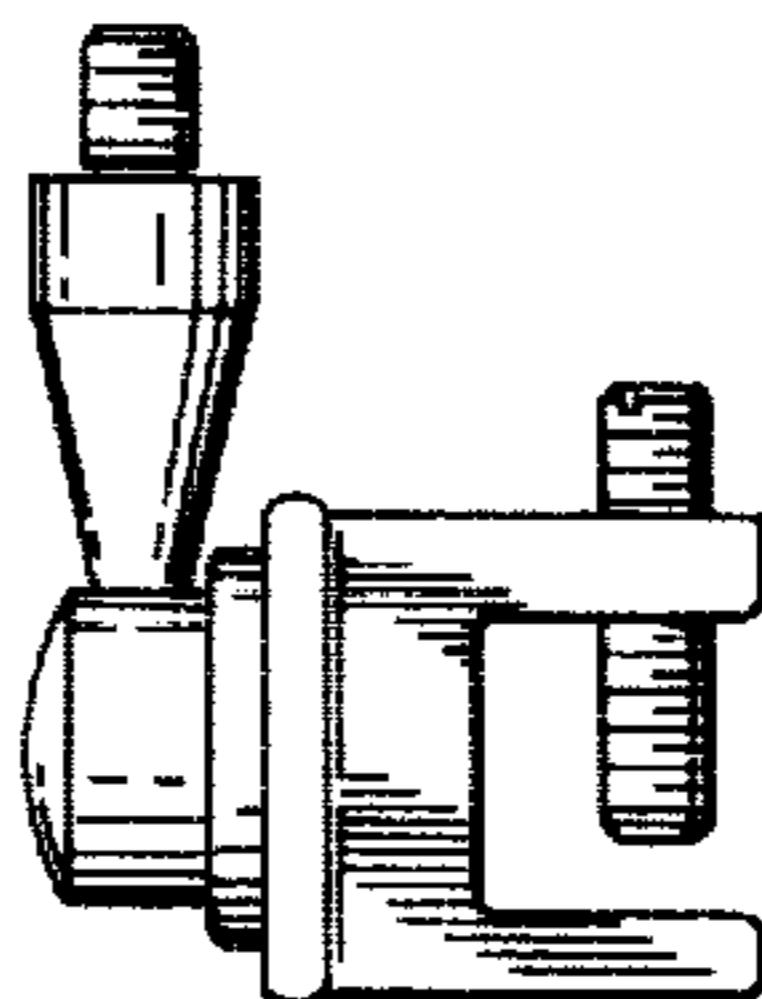
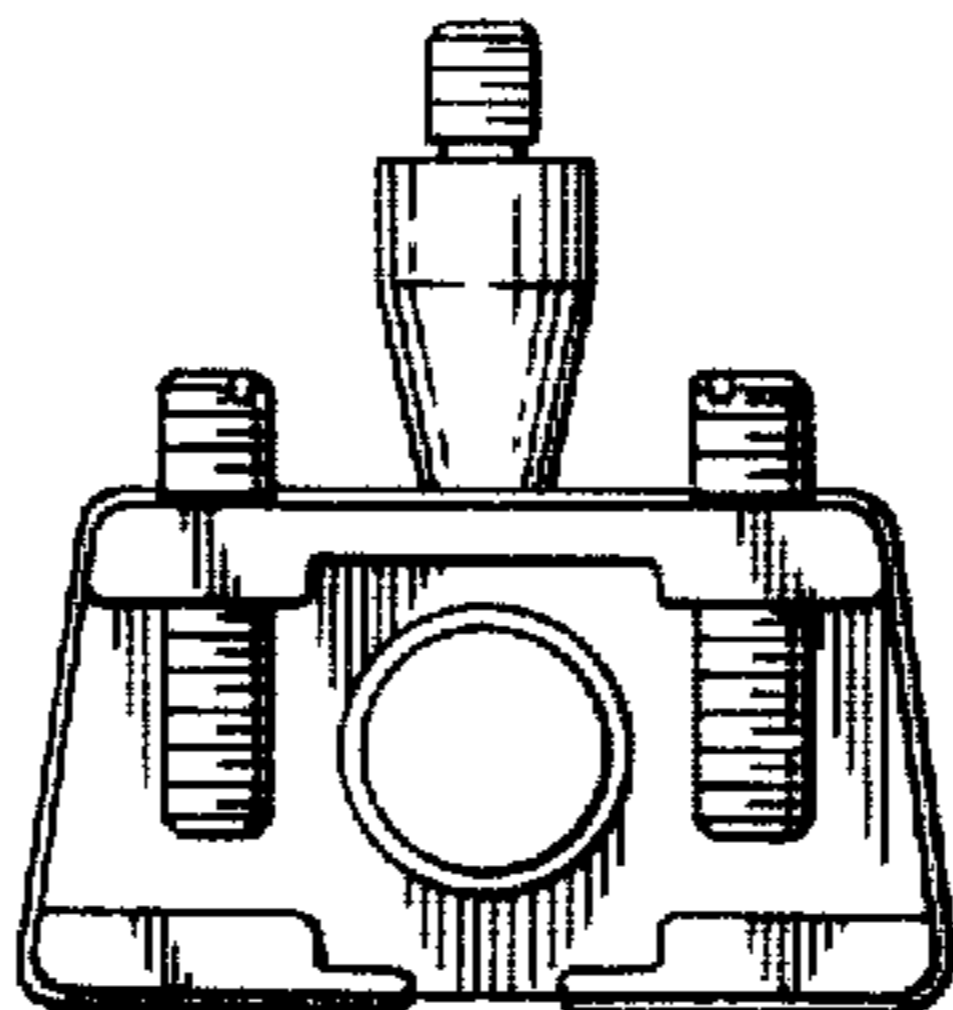


FIG. 1

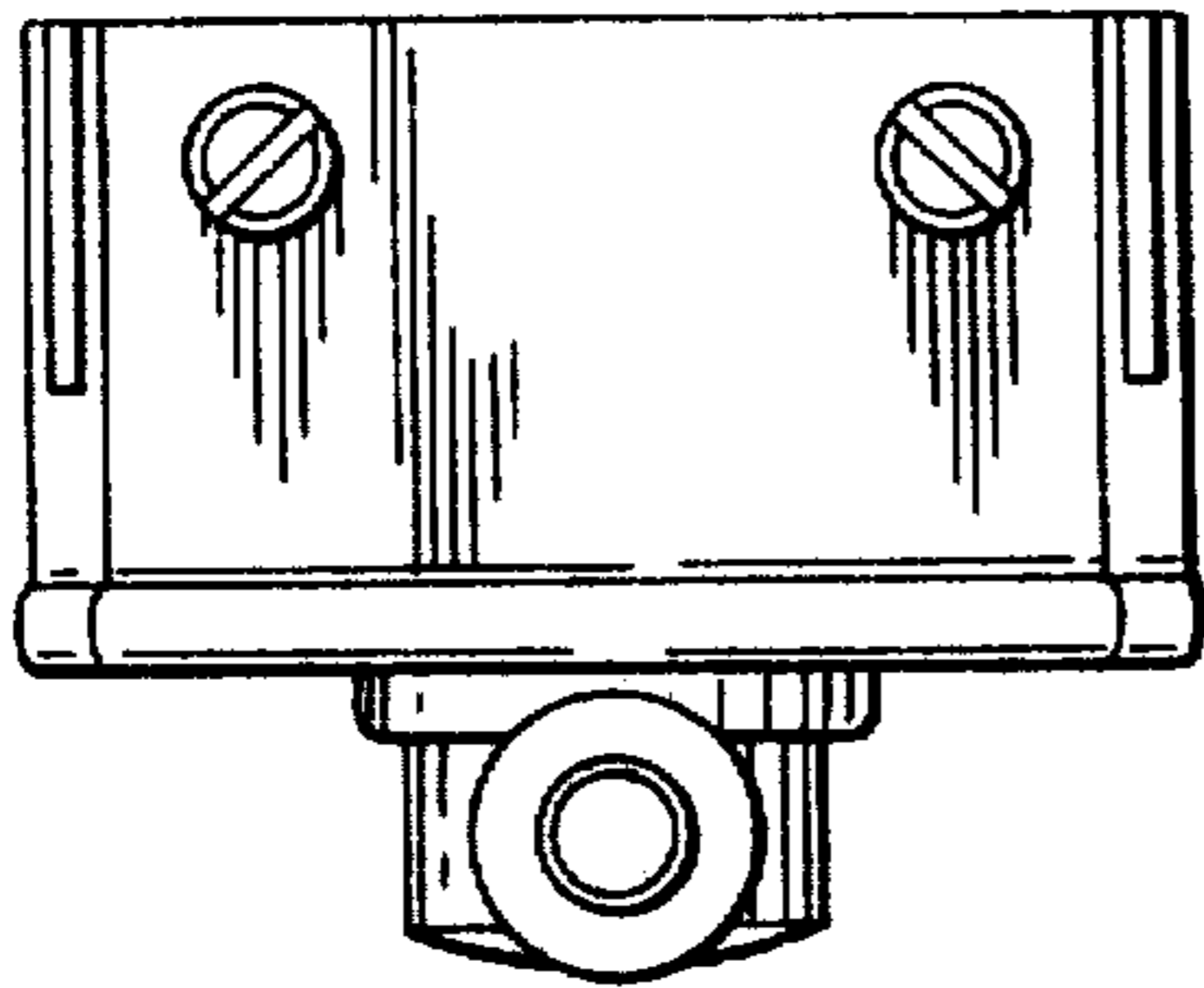


FIG. 4

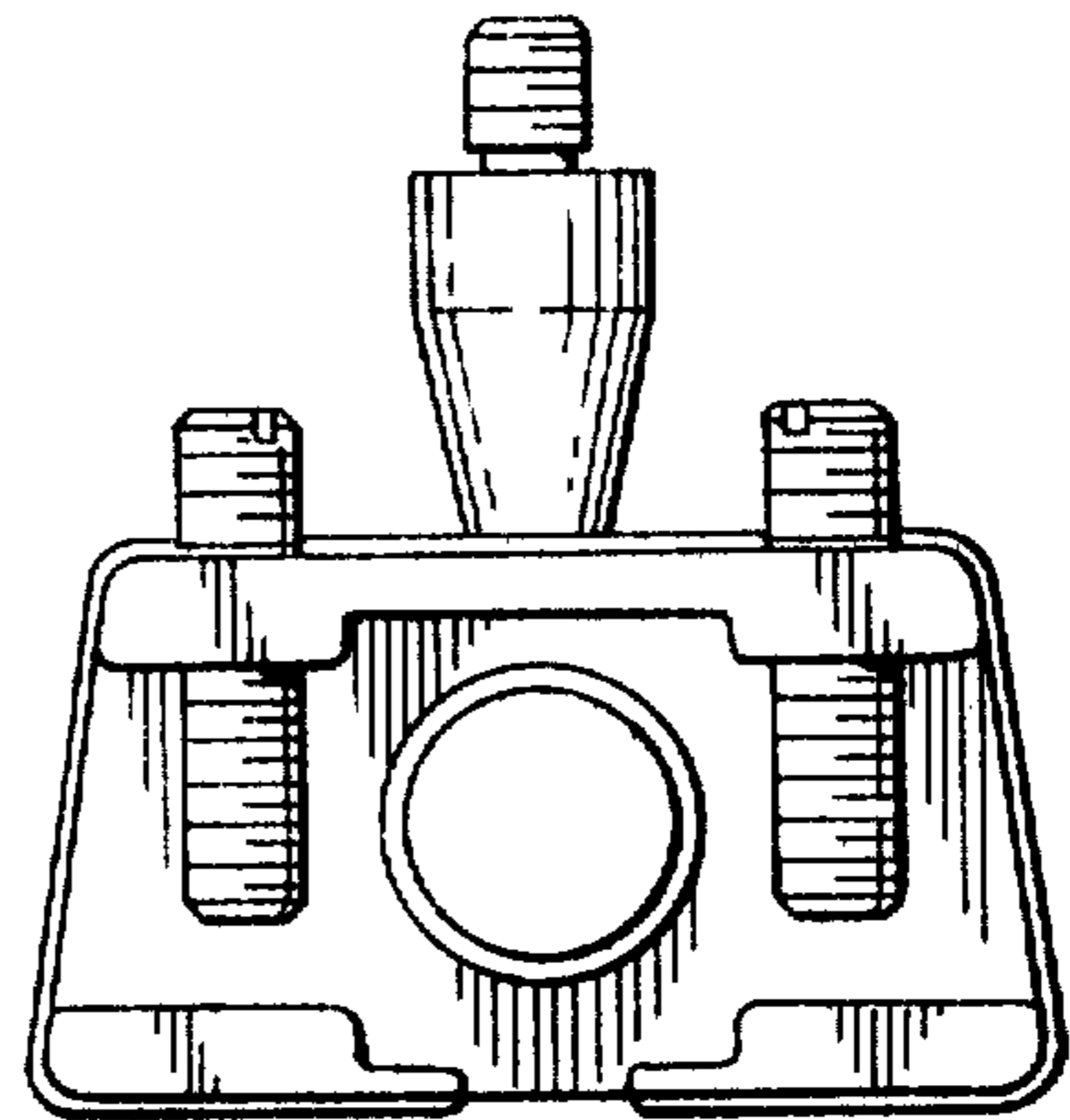


FIG. 2

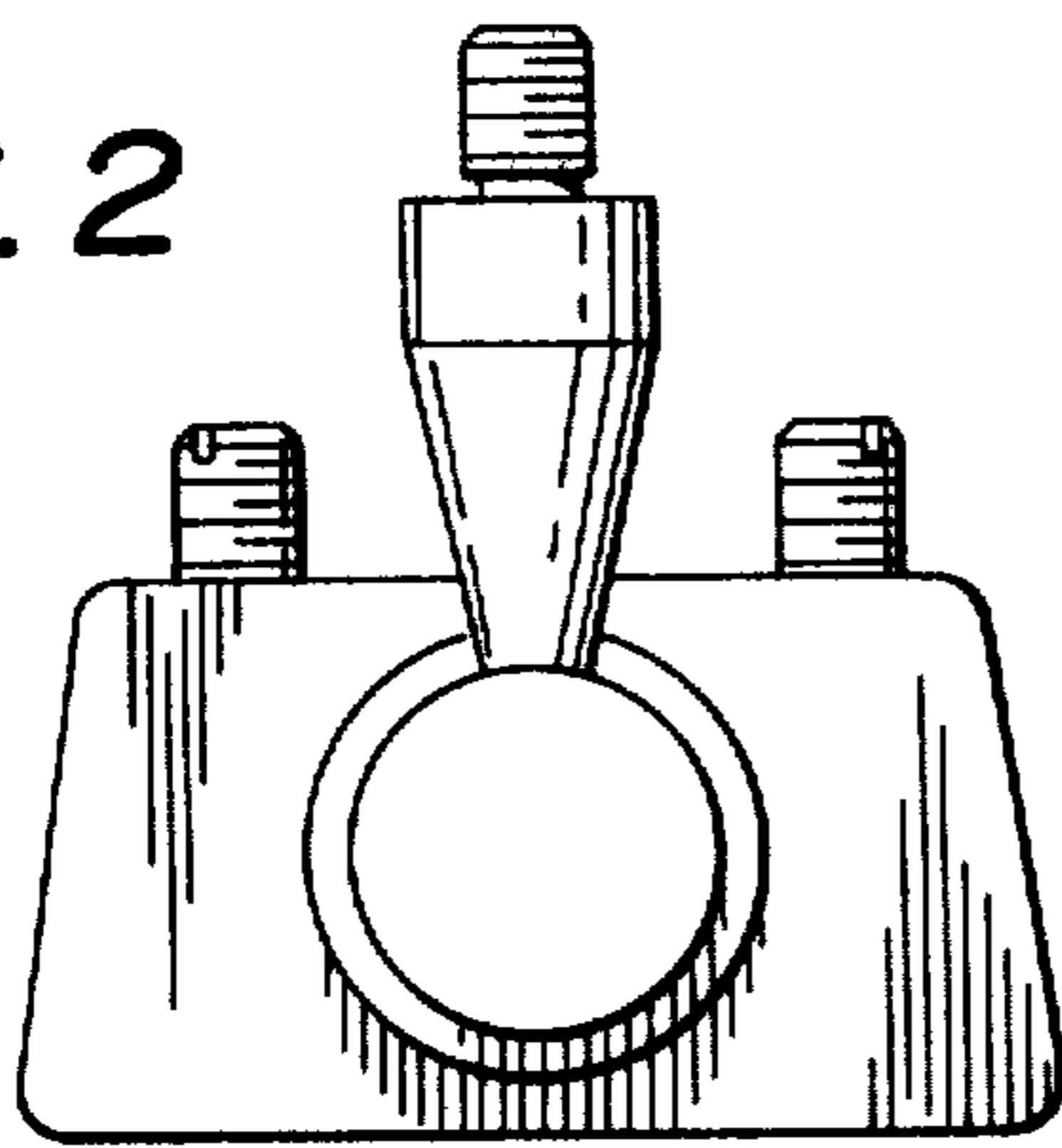


FIG. 5

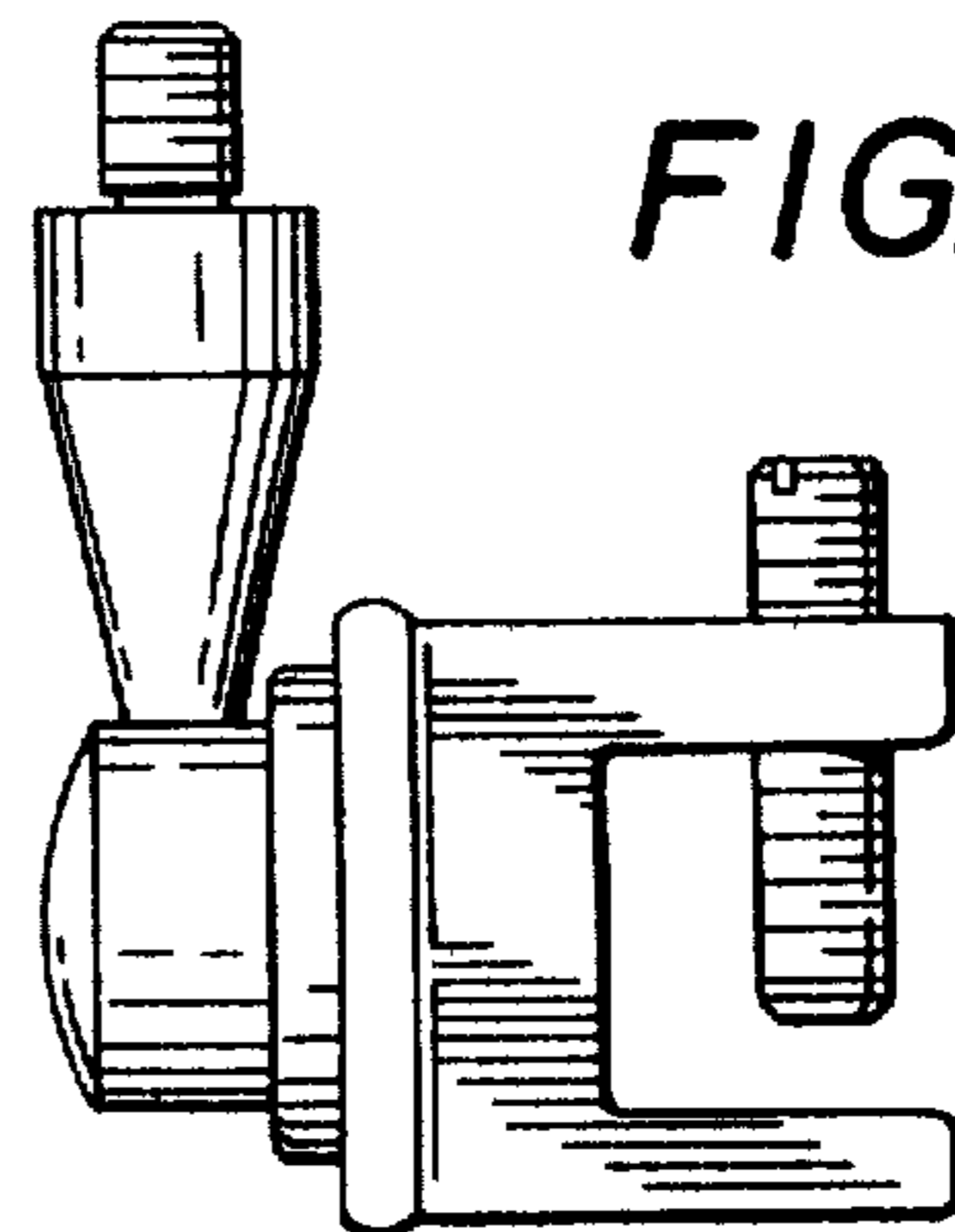


FIG. 3

