

[54] FAMILY PAGER RECEIVER DEVICE OR SIMILAR ARTICLE

[75] Inventors: Ka W. Wong, Kgau Tau Kok, China; Albert K. H. Au, Wanchai, Hong Kong

[73] Assignee: Mattel, Inc., Hawthorne, Calif.

[**] Term: 14 Years

[21] Appl. No.: 335,967

[22] Filed: Dec. 30, 1981

[51] Int. Cl. D14-03

[52] U.S. Cl. D14/68; D14/95

[58] Field of Search D14/68, 95, 52, 1, 6, D14/8, 76, 99, 75; D10/106; 179/156; 369/6, 11, 69; 455/89, 90

[56] References Cited

U.S. PATENT DOCUMENTS

- D. 244,867 6/1977 Huntington D14/68
- D. 245,111 7/1977 Maddock D14/68
- D. 248,759 8/1978 Eckmann et al. D14/68
- D. 255,446 6/1980 Iwata D14/68

- D. 262,965 2/1982 Iwata D14/68 X
- D. 264,845 6/1982 Hellwig D14/95 X
- 3,070,748 12/1962 Worobey et al. D14/68 X
- 3,693,089 9/1972 Hutchinson et al. D14/68 X

OTHER PUBLICATIONS

Motorola, Personal Communications , © 1974, pp. 12 and 13, "Pageboy", II, Radio Pager.

Primary Examiner—Bernard Ansher

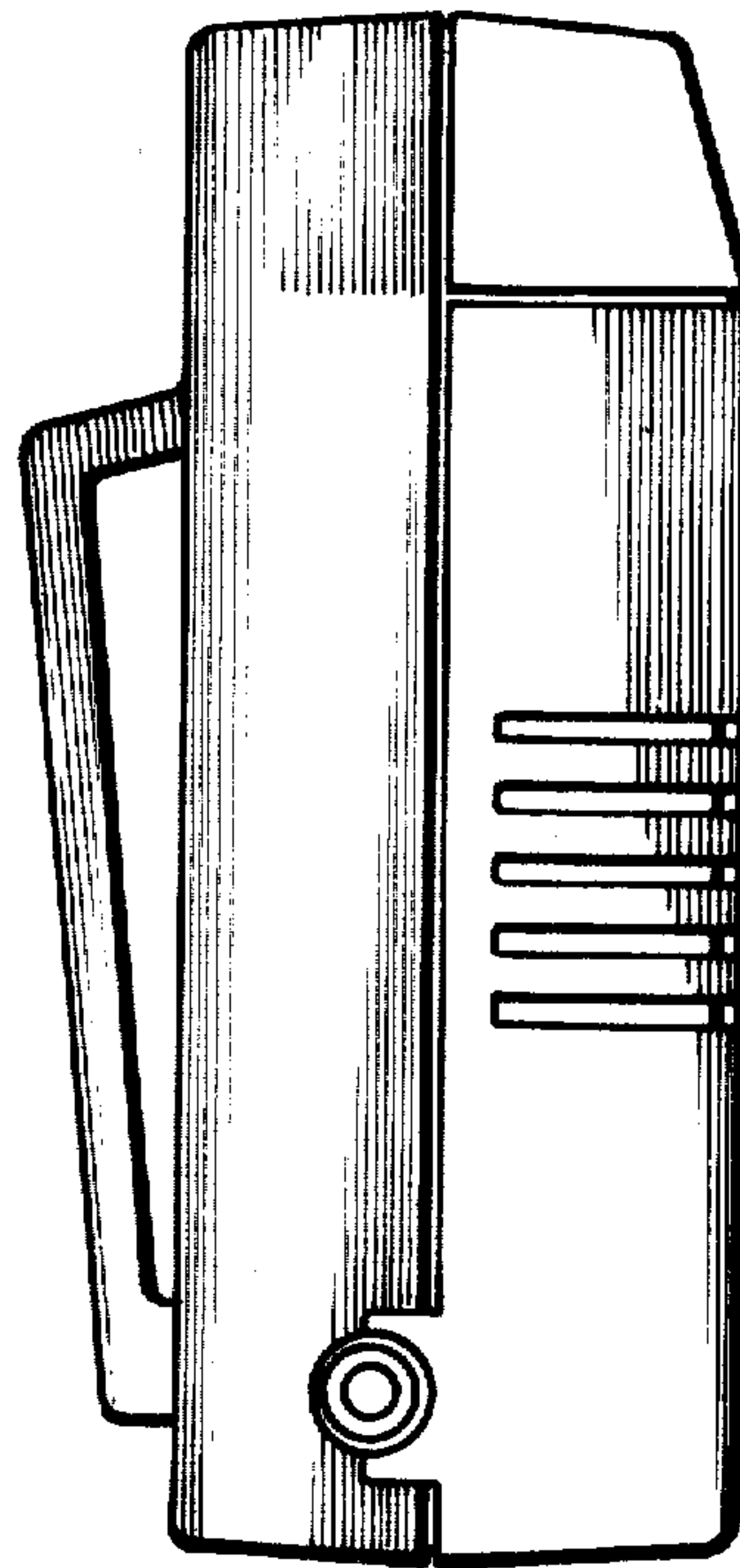
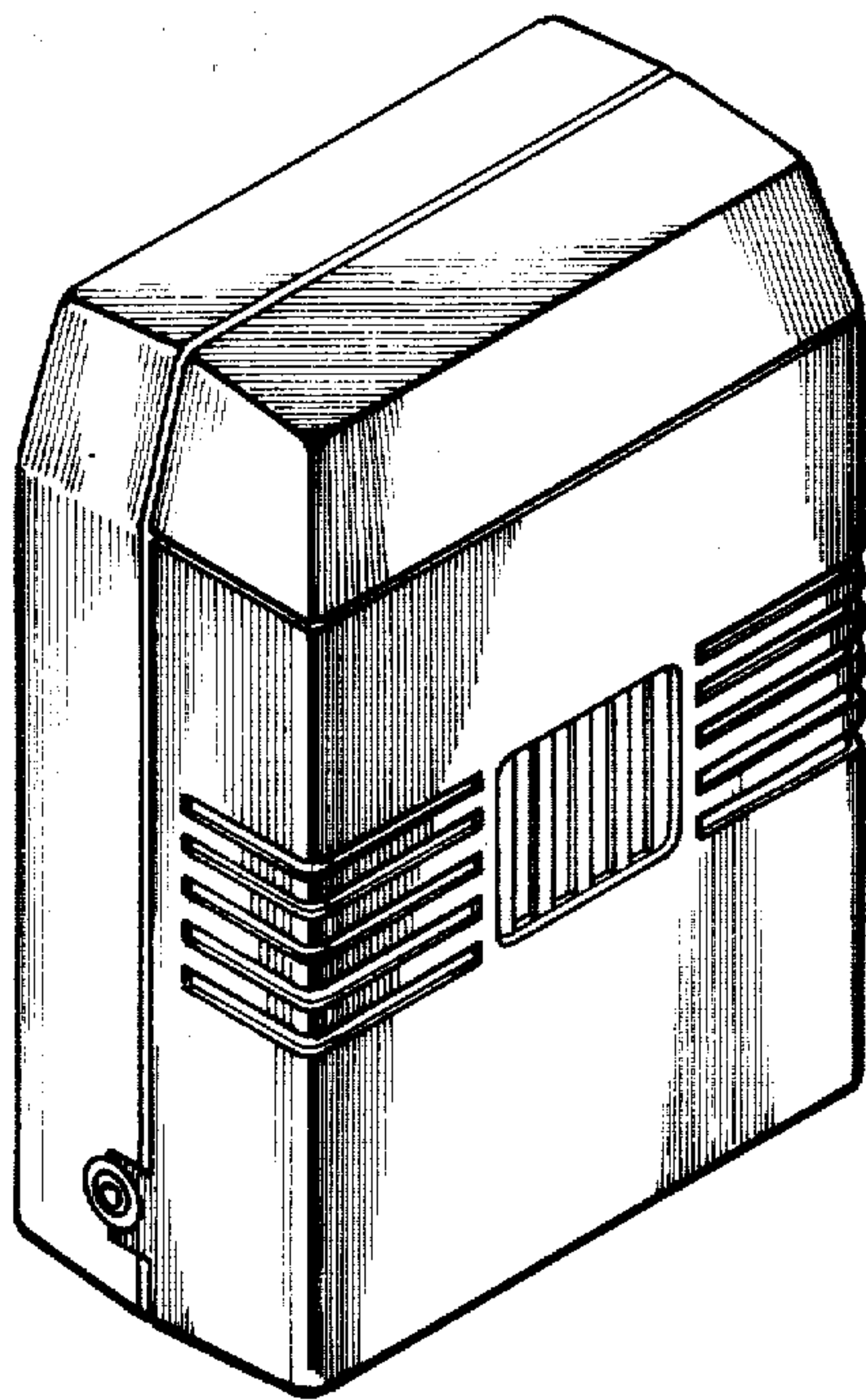
Attorney, Agent, or Firm—Ronald M. Goldman; Max E. Shirk; James G. O'Neill

[57] CLAIM

The ornamental design for a family pager receiver device or similar article, as shown and described.

DESCRIPTION

FIG. 1 is a front perspective view of a family pager receiver showing my new design;
 FIG. 2 is a front elevation view thereof;
 FIG. 3 is a rear elevation view thereof;
 FIG. 4 is a left-side elevation view thereof;
 FIG. 5 is a right-side elevation view thereof;
 FIG. 6 is a top plan view thereof; and
 FIG. 7 is a bottom plan view thereof.



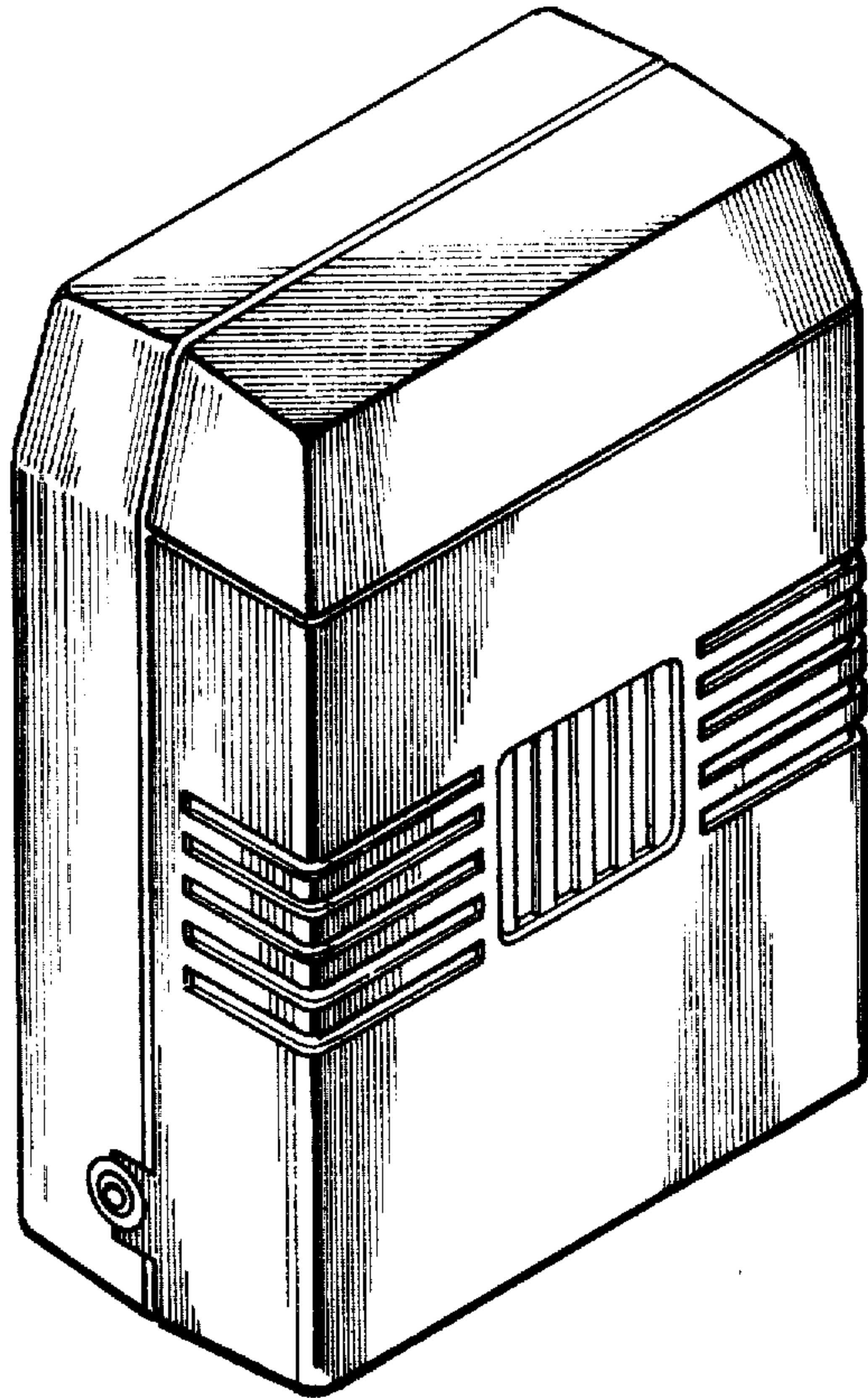


Fig. 1.

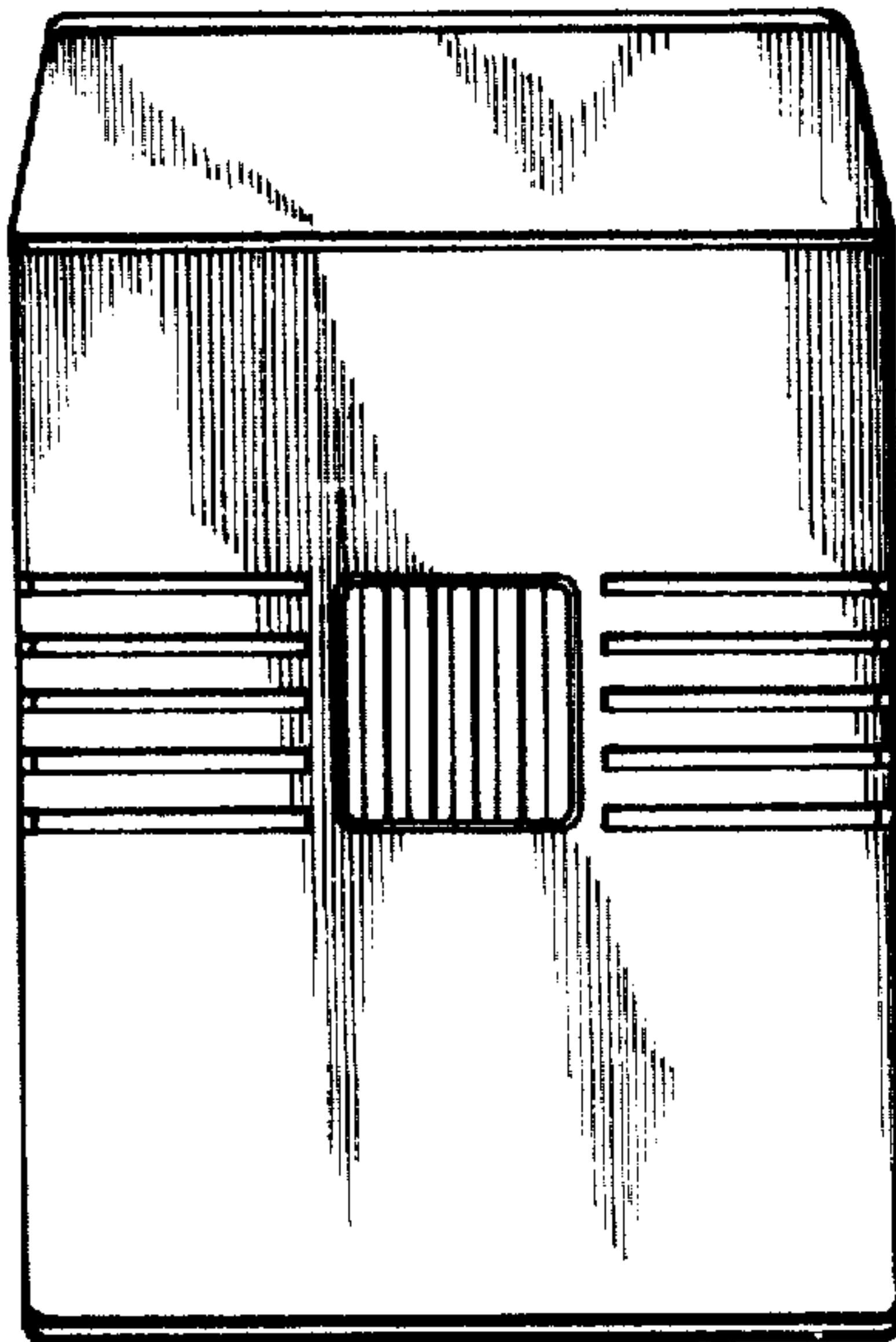


Fig. 2.

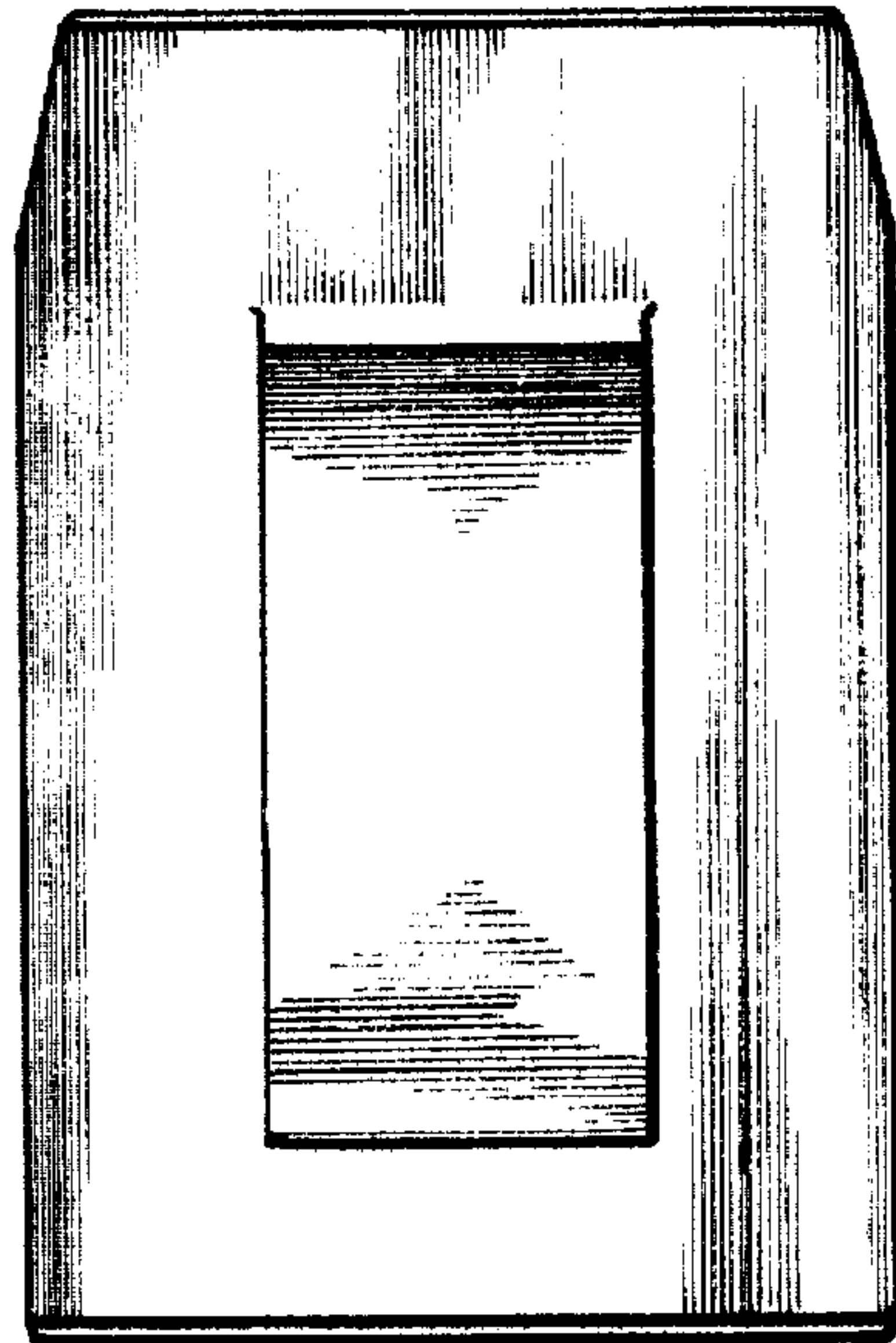


Fig. 3.

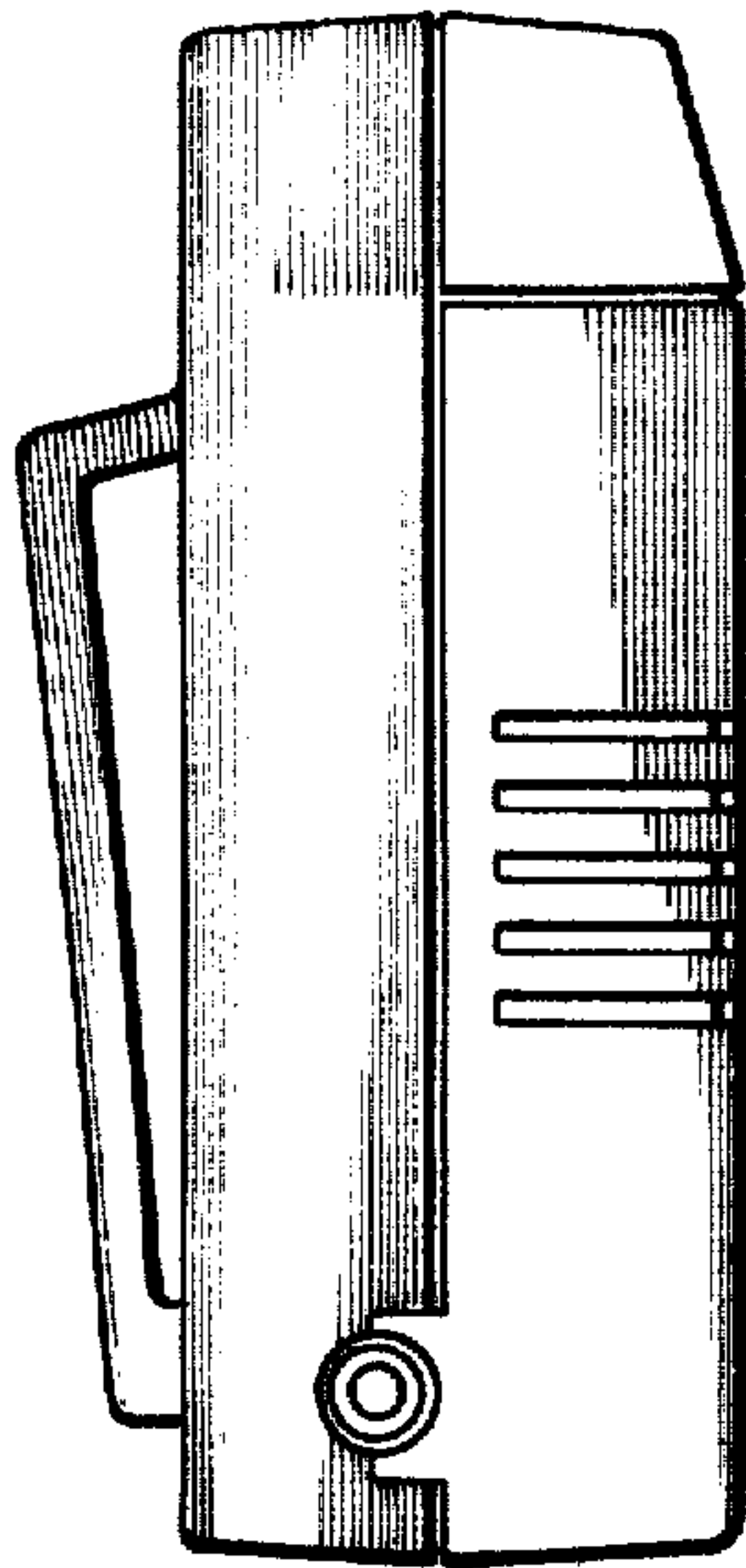


Fig. 4.

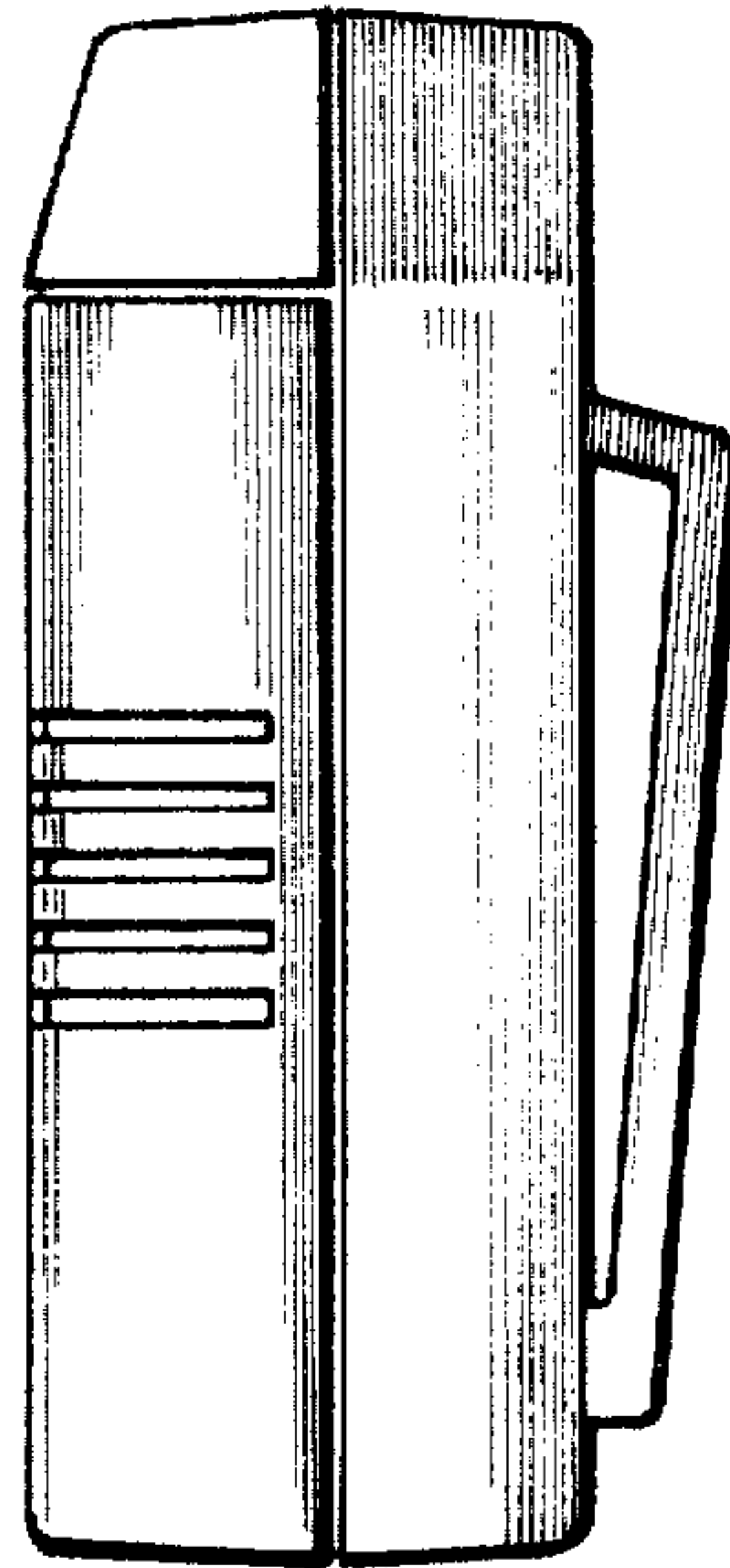


Fig. 5.

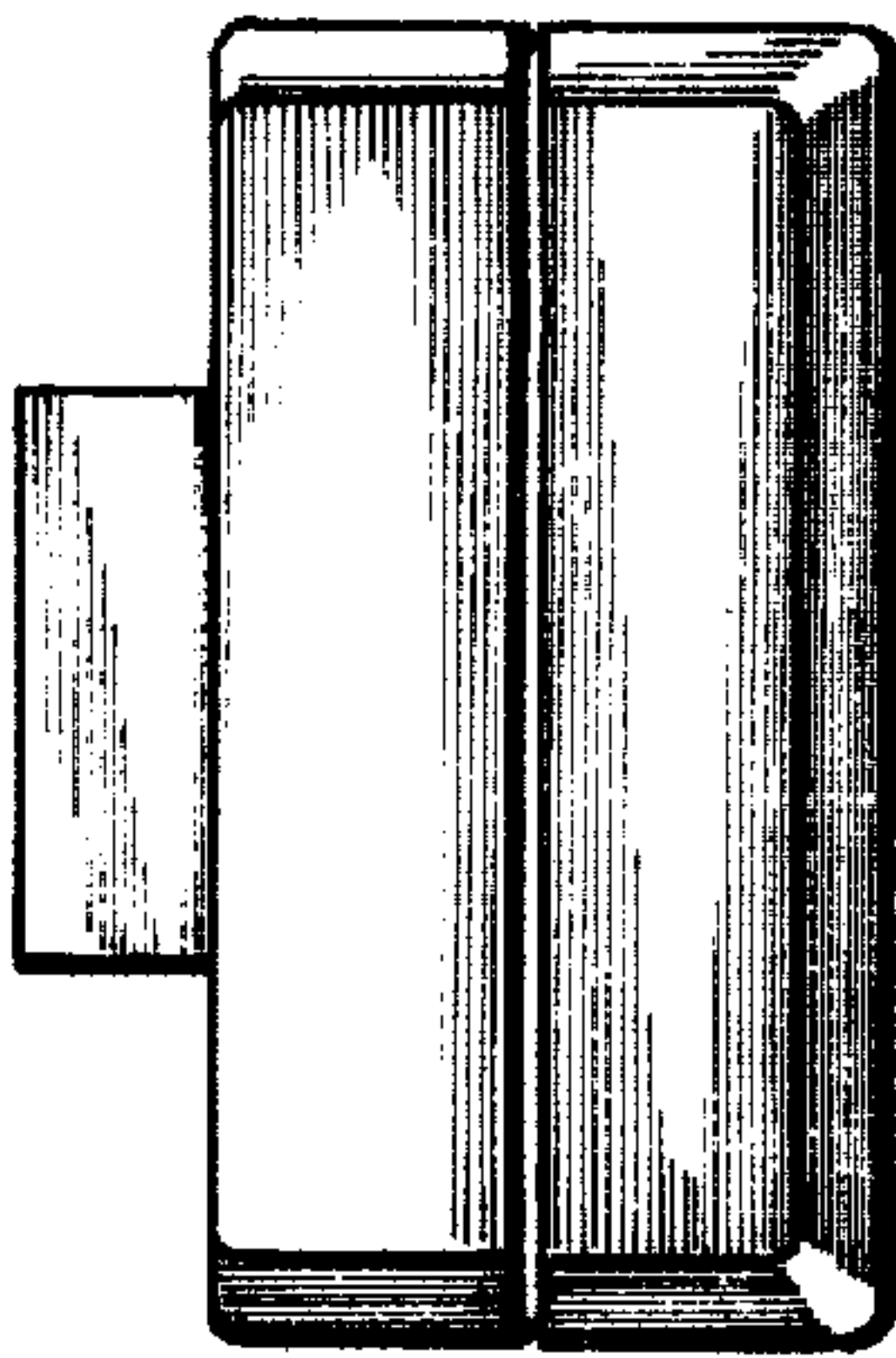


Fig. 6.

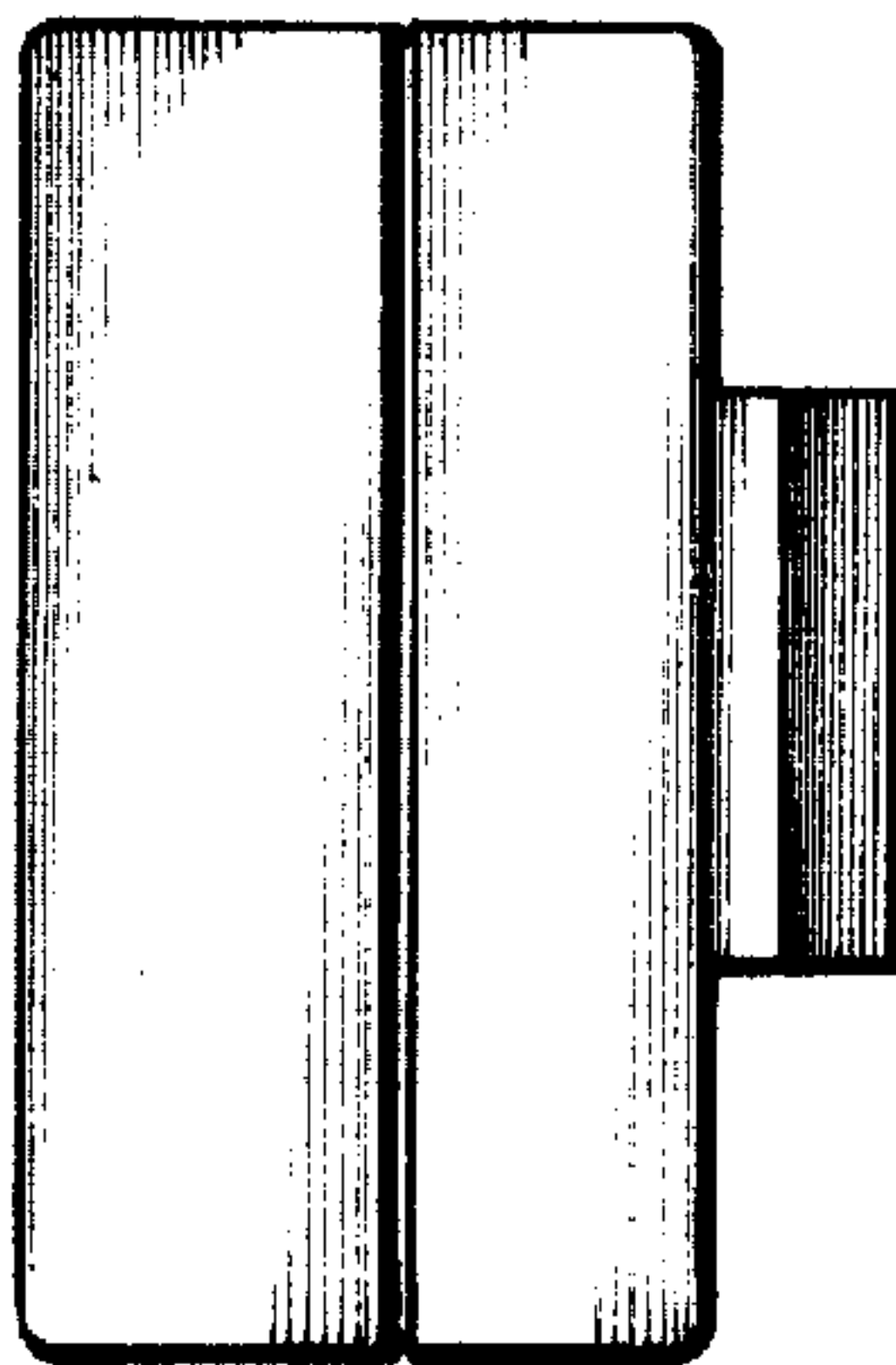


Fig. 7.