

[54] MICROPHONE STAND DETACHABLE TRAY OR THE LIKE

4,122,956 10/1978 Hargrove ..... 211/131

[76] Inventors: Marcel Fitzner, 1672 Cerro Gordo; V. Paige Pinnell, Jr., P.O. Box 2894, both of Santa Fe, N. Mex. 87501

Primary Examiner—Jane E. Corrigan  
Attorney, Agent, or Firm—Cahill, Sutton & Thomas

[\*\*] Term: 14 Years

[57] CLAIM

The ornamental design for a microphone stand detachable tray or the like, as shown and described.

[21] Appl. No.: 273,345

DESCRIPTION

[22] Filed: Jun. 15, 1981

[51] Int. Cl. .... D14—99

[52] U.S. Cl. .... D14/13; D6/199

[58] Field of Search ..... D14/13; D6/146, 199; 179/147; 211/131, 144; D27/8, 12, 13

FIG. 1 is a front, top and right side perspective view of a microphone stand detachable tray or the like showing our new design;

FIG. 2 is a top plan view;

FIG. 3 is a bottom plan view;

FIG. 4 is a left side elevational view;

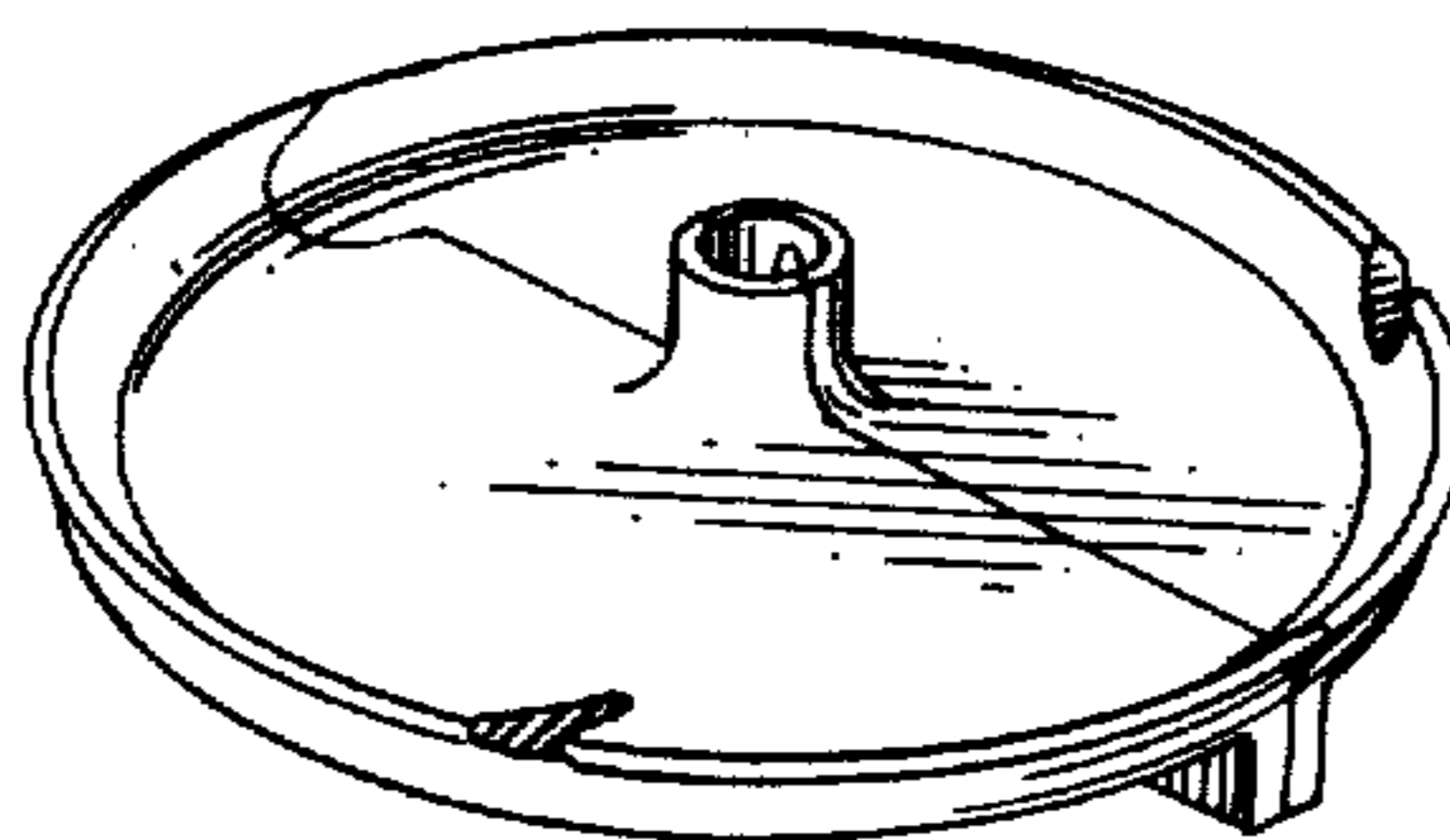
FIG. 5 is an elevational view taken in the direction of arrows 5—5 in FIG. 3; and

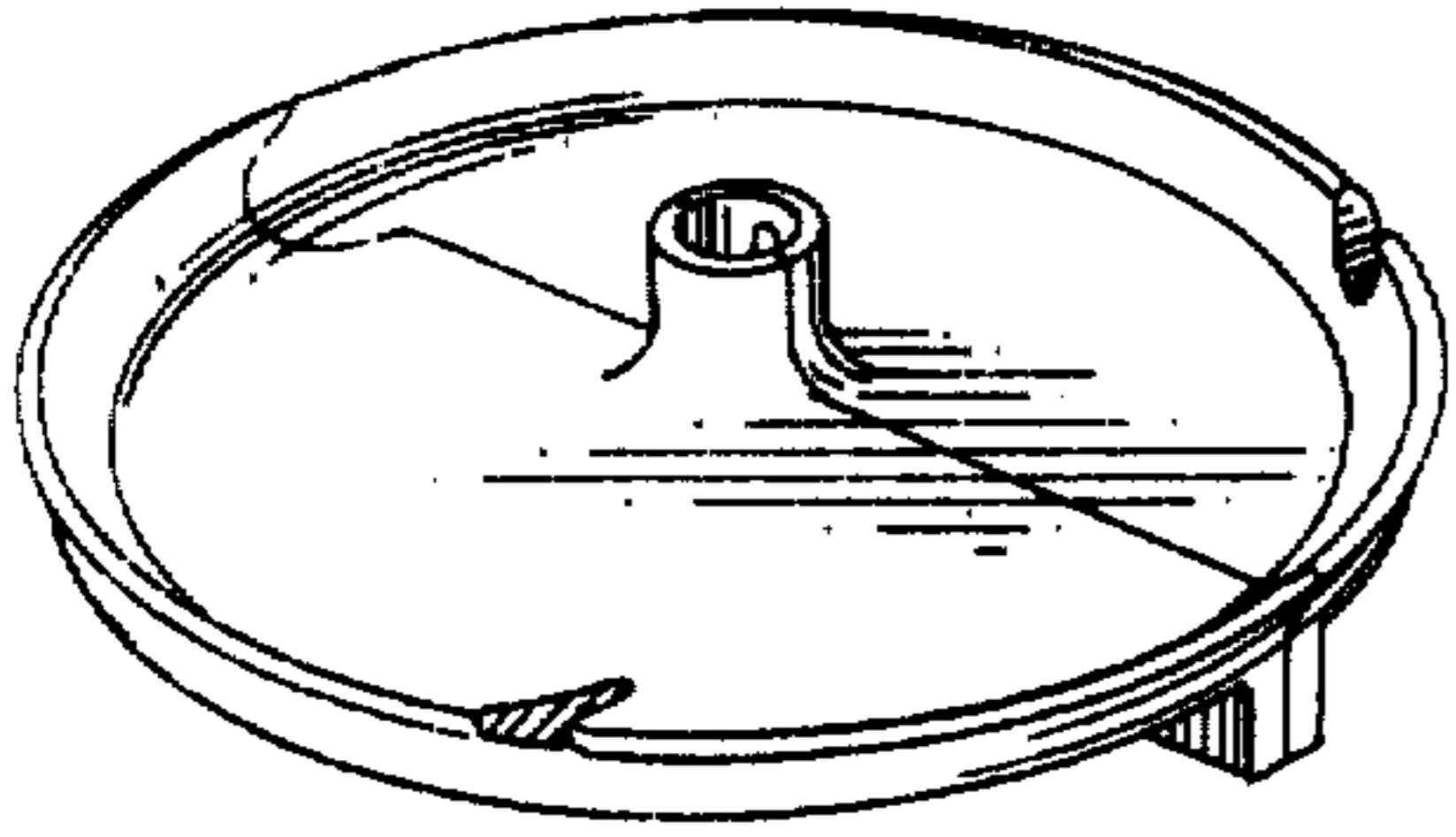
FIG. 6 is an elevational view taken in the direction of arrows 6—6 in FIG. 2.

[56] References Cited

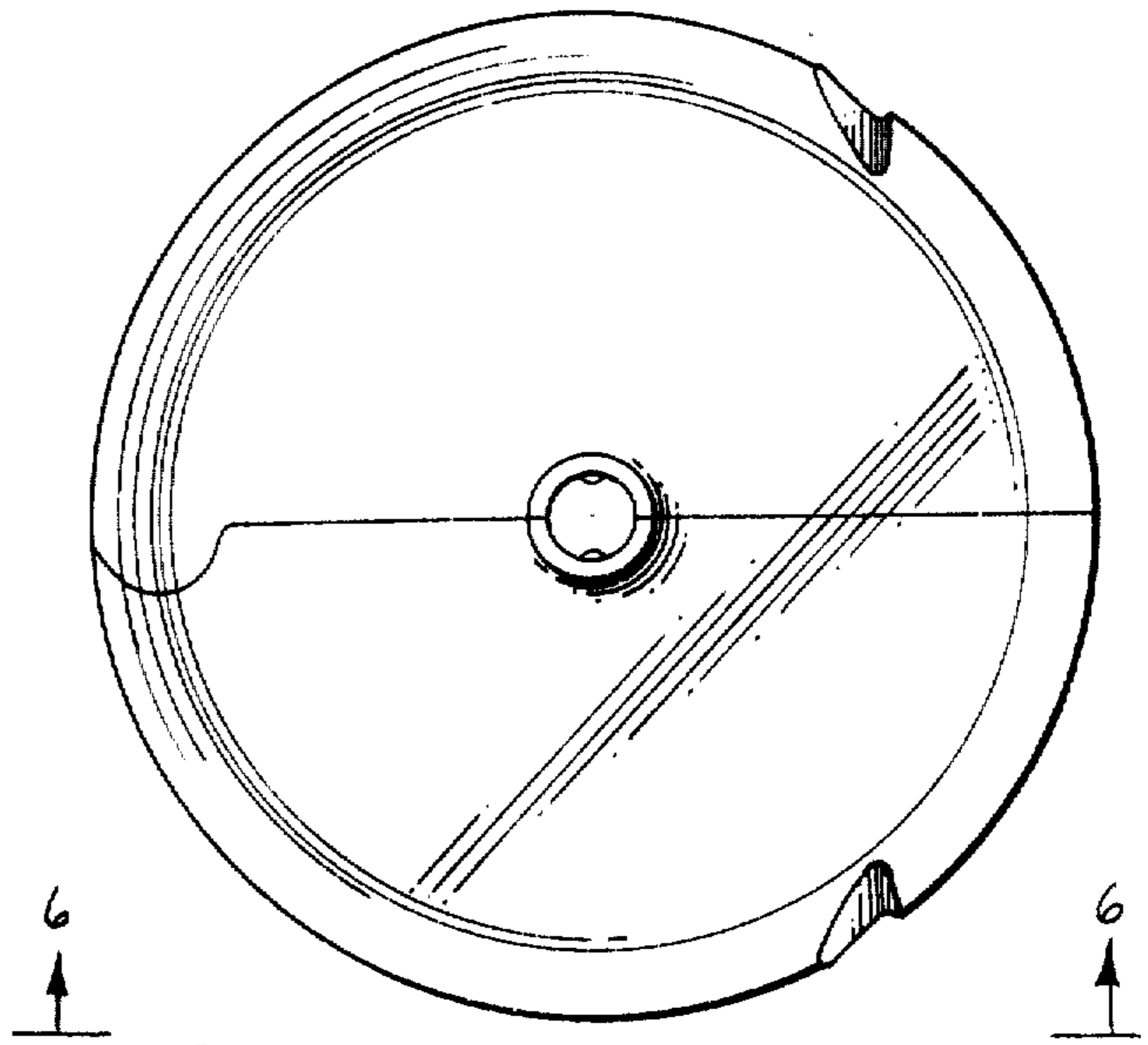
U.S. PATENT DOCUMENTS

D. 228,036 7/1973 Hollister ..... D27/13 X

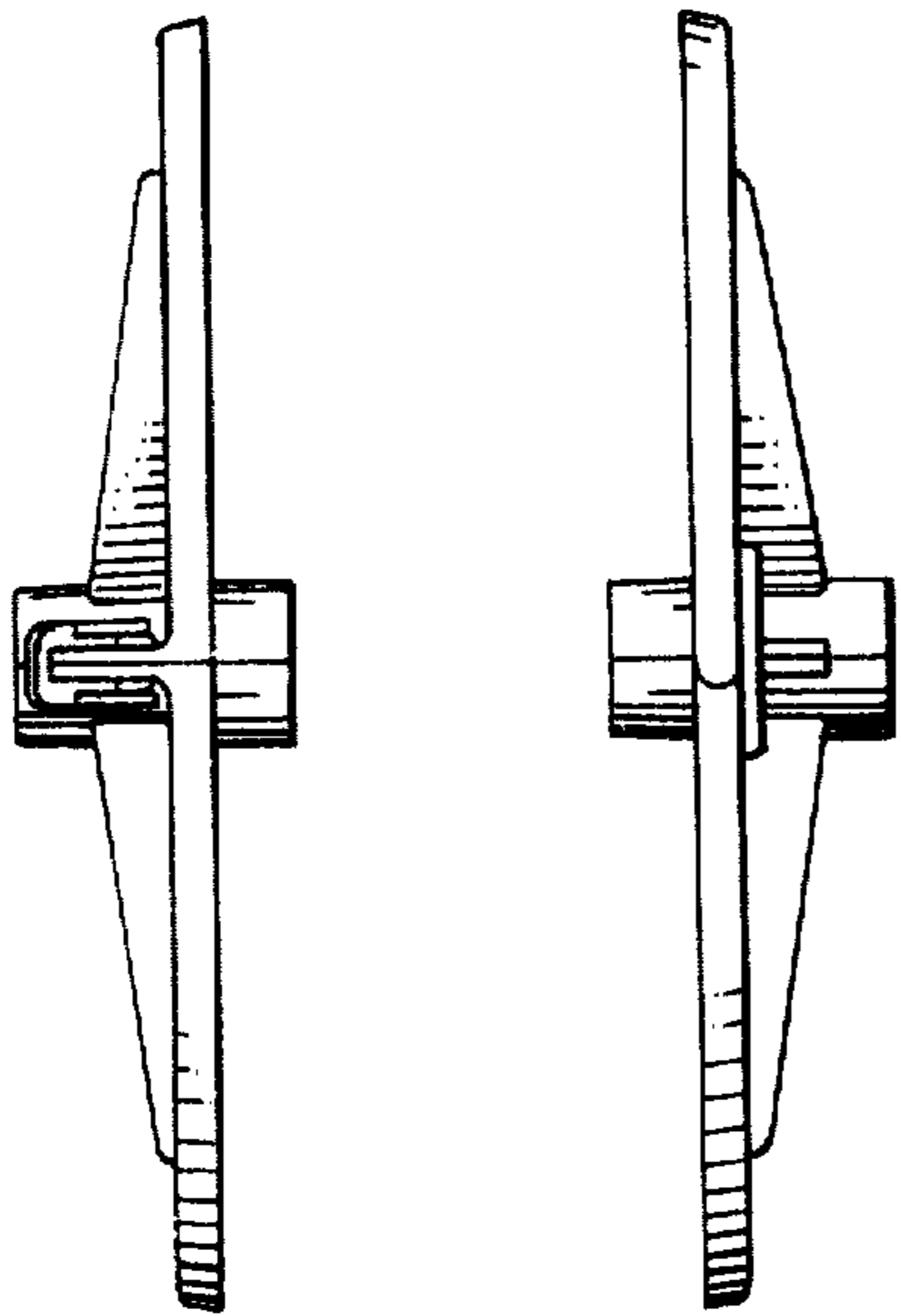




*fig. 1*

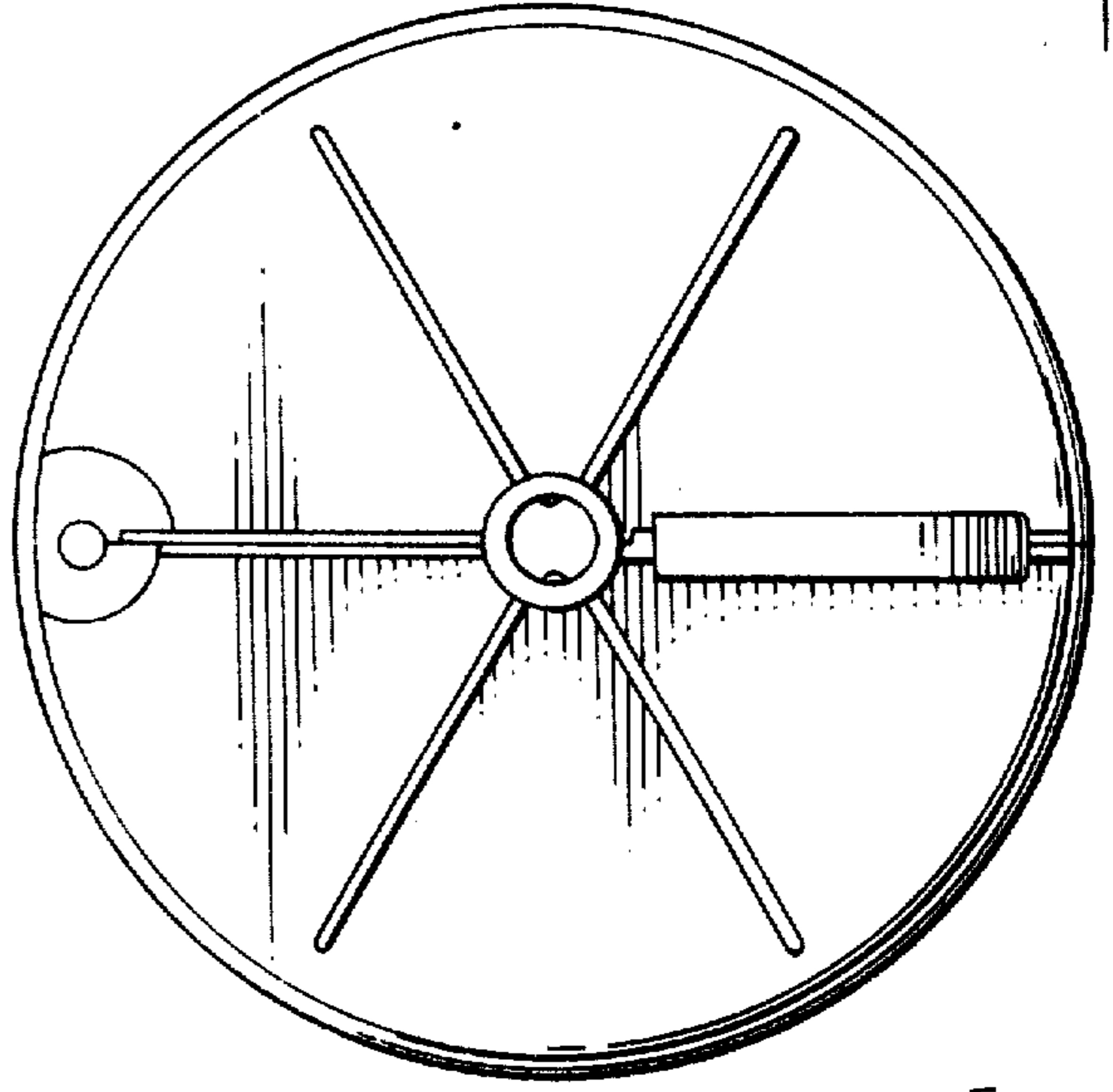


*fig. 2*

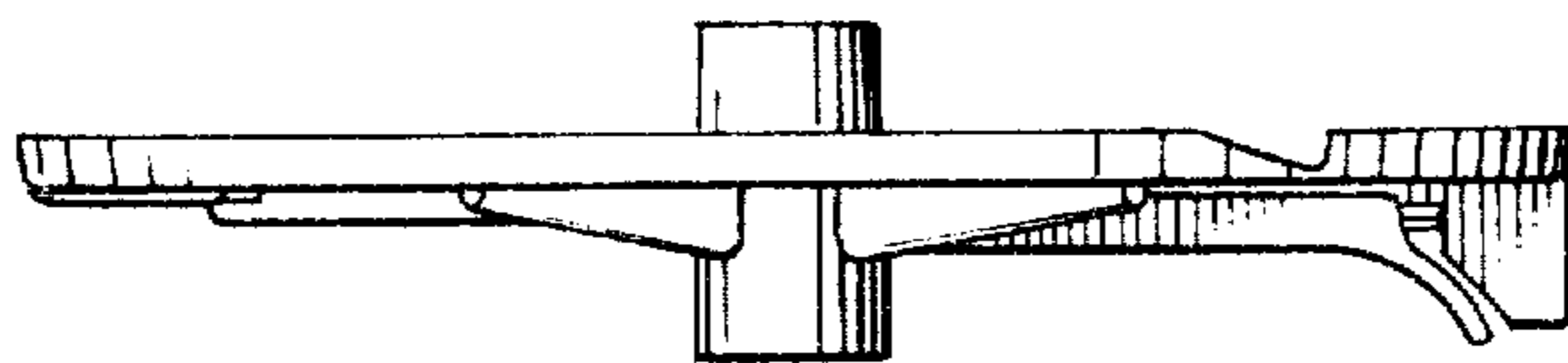


*fig. 5*

*fig. 4*



*fig. 3*



*fig. 6*