

[54] TRAILER BODY

[76] Inventor: Michael G. Paulina, 6731 Guildford, Utica, Mich. 48078

[**] Term: 14 Years

[21] Appl. No.: 213,352

[22] Filed: Dec. 5, 1980

[51] Int. Cl. D12-10

[52] U.S. Cl. D12/102

[58] Field of Search D12/102; 296/181, 168; 280/656

[56] References Cited
PUBLICATIONS

Popular Science, 9/76, p. 86, Cycle Trailer, center left side of page.

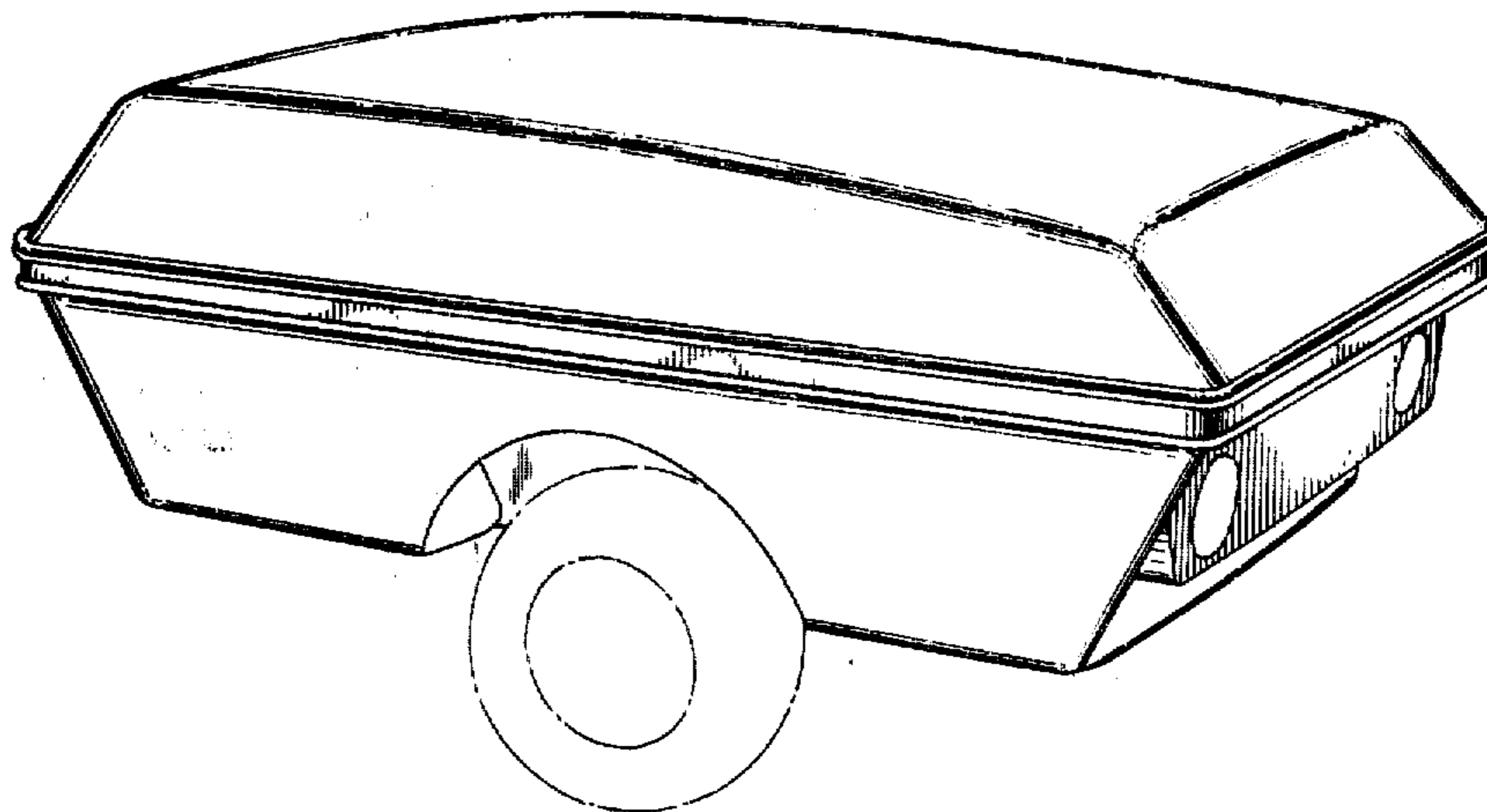
Primary Examiner—James M. Gandy
Attorney, Agent, or Firm—Learman & McCulloch

[57] CLAIM

The ornamental design for a trailer body, as shown and described.

DESCRIPTION

FIG. 1 is a perspective view of the trailer body;
FIG. 2 is a side elevational view thereof;
FIG. 3 is a greatly enlarged rear elevational view thereof;
FIG. 4 is a top plan view thereof;
FIG. 5 is an enlarged front elevational view thereof; and
FIG. 6 is a bottom plan view thereof.
The broken lines in the drawing are for illustrative purposes only.



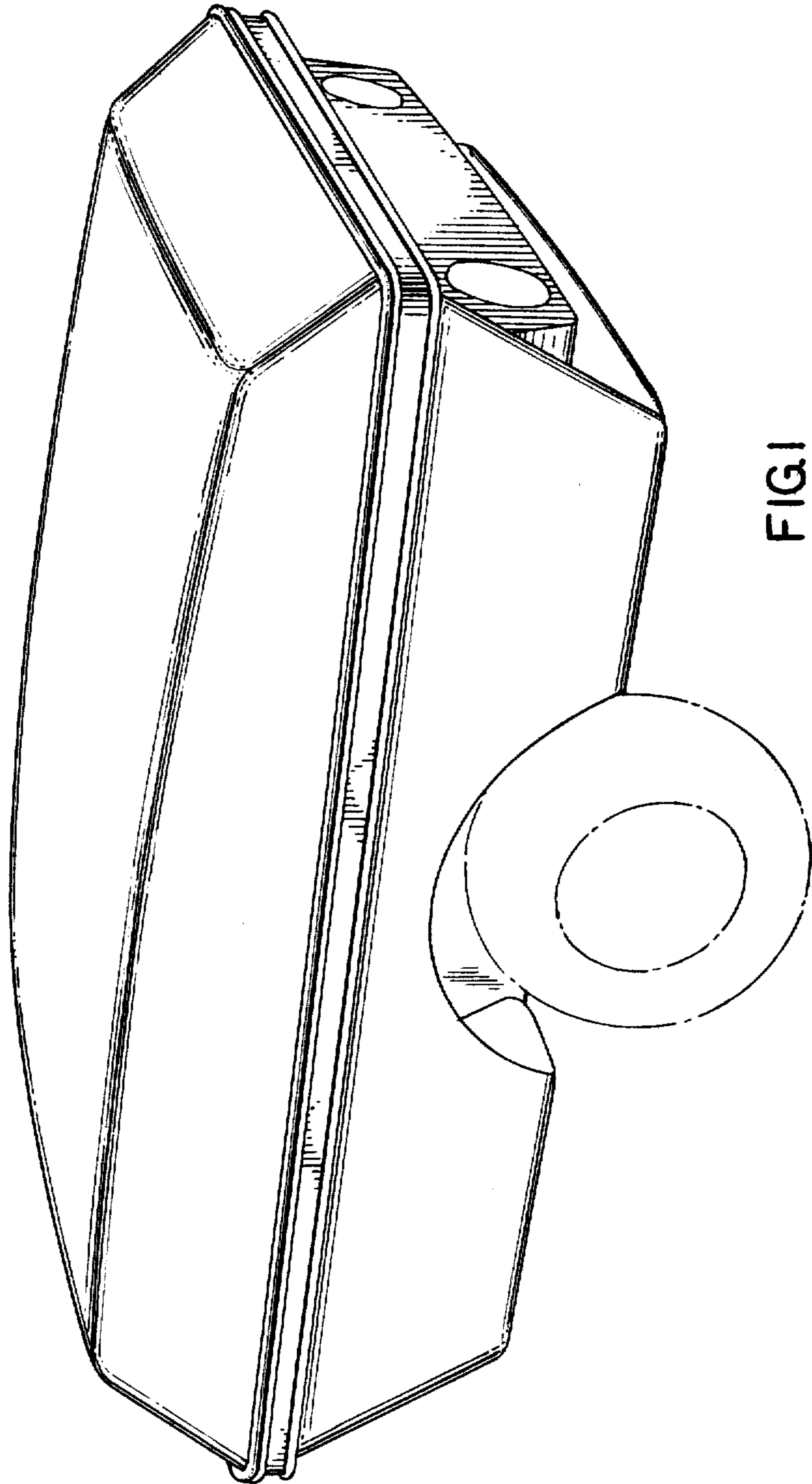


FIG. 1

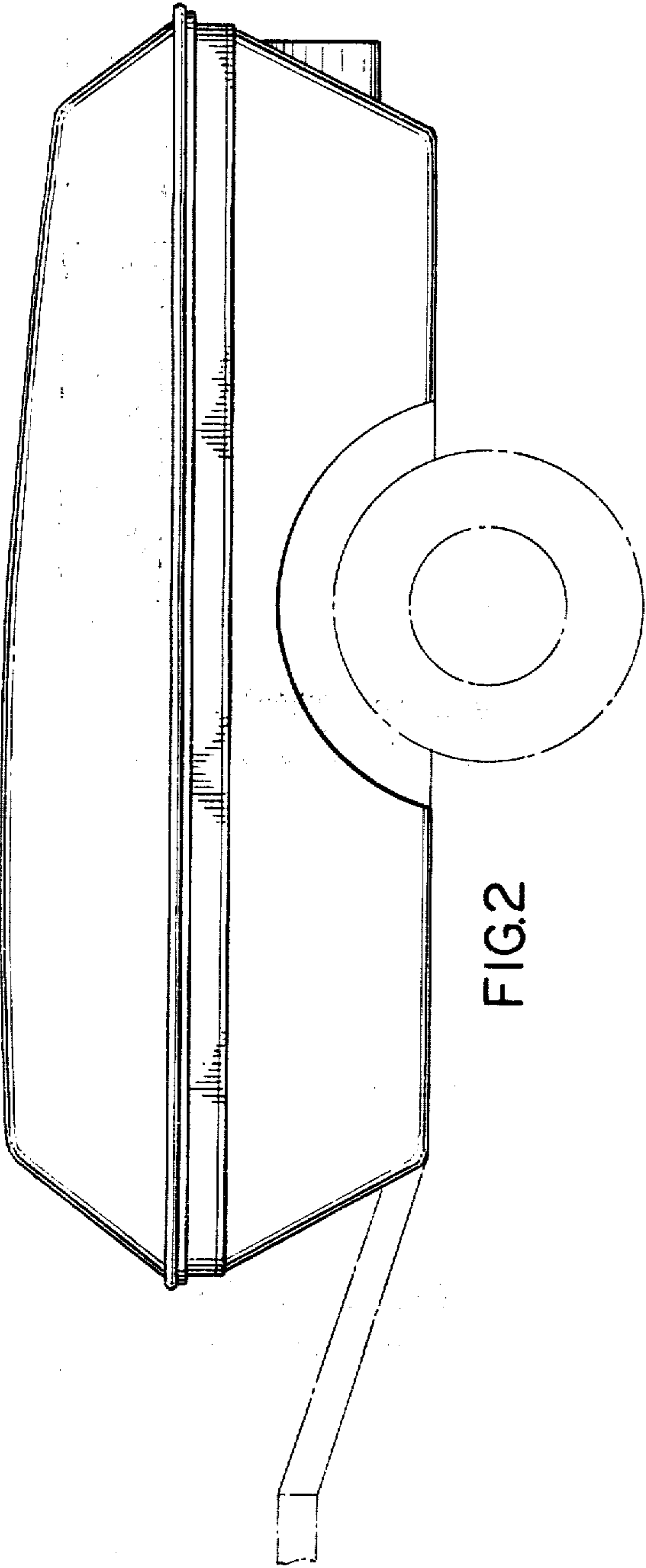


FIG. 2

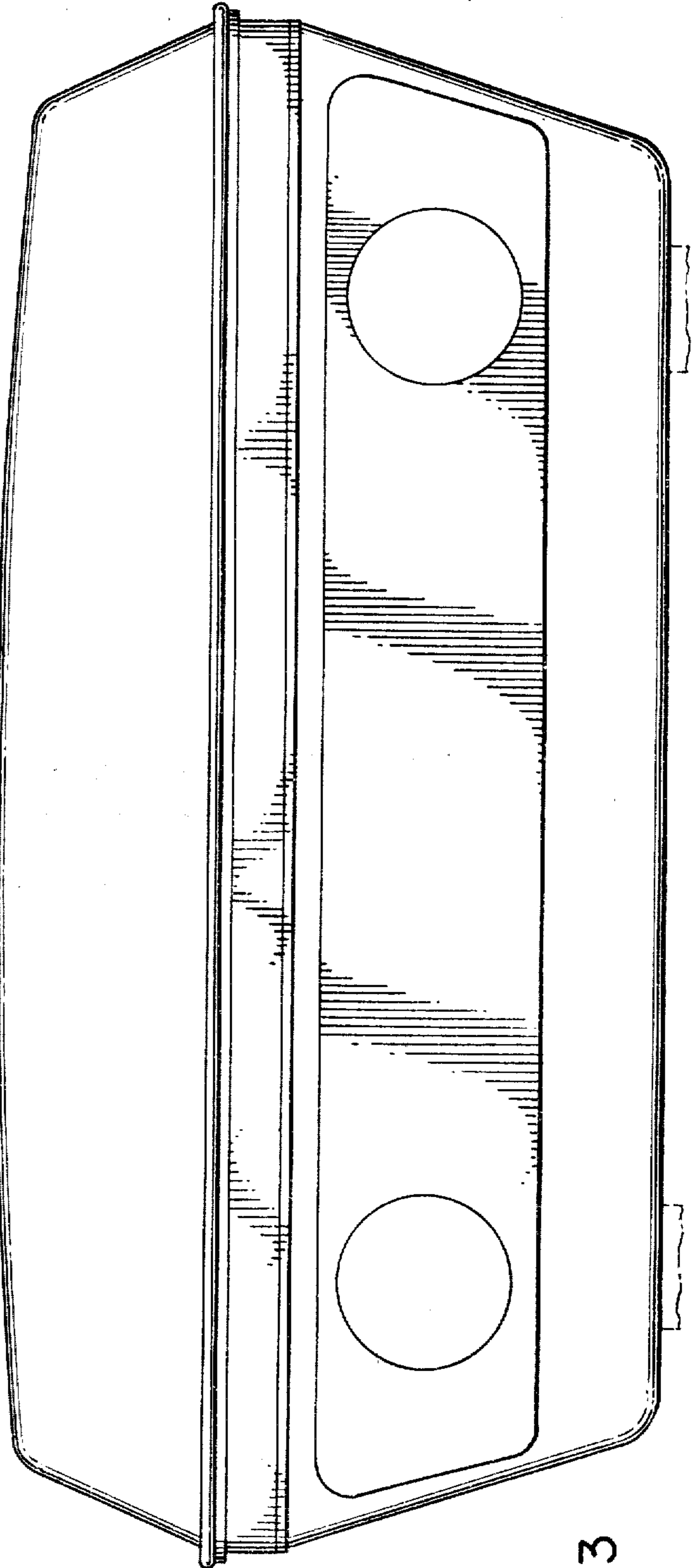


FIG. 3

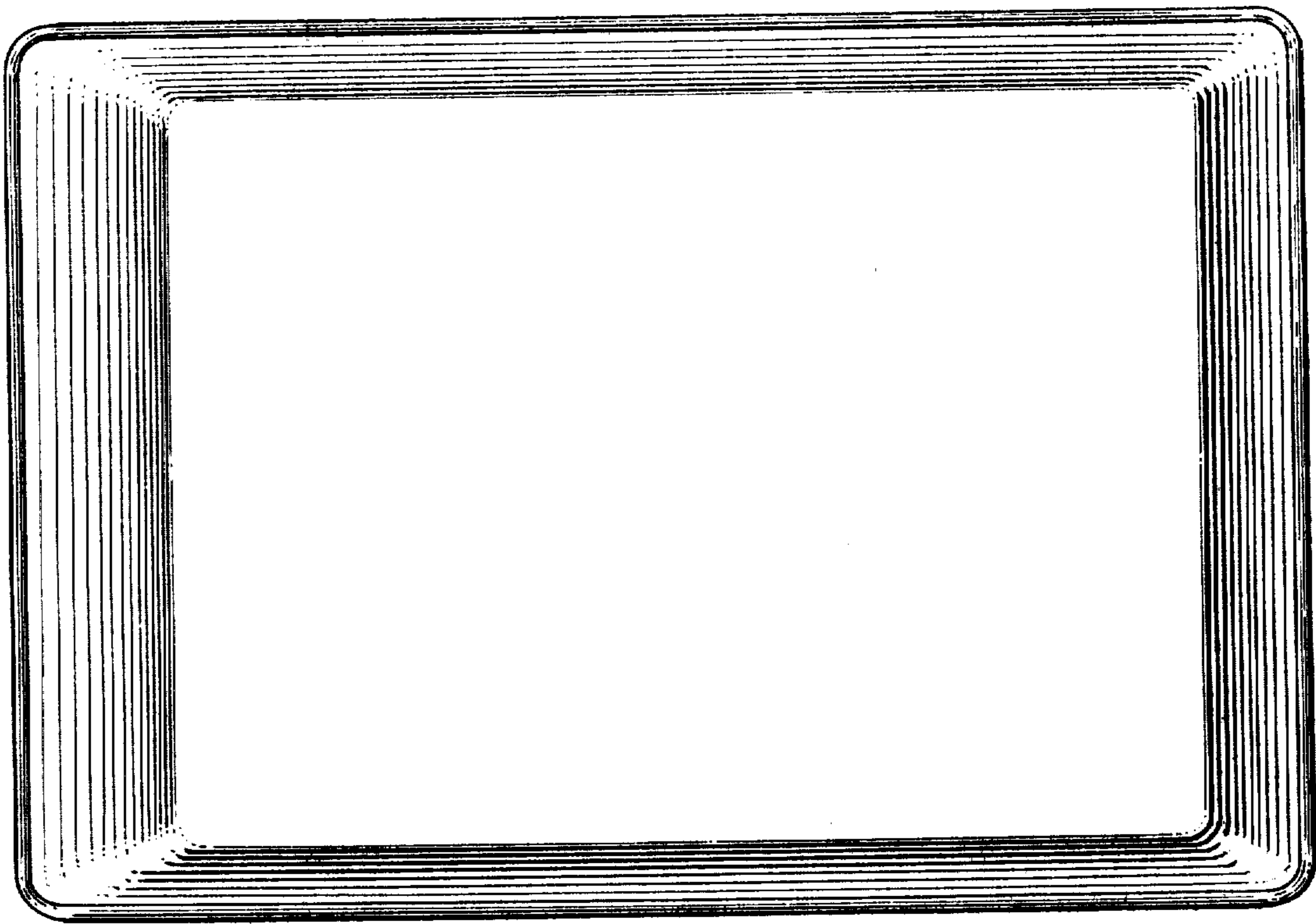


FIG. 4

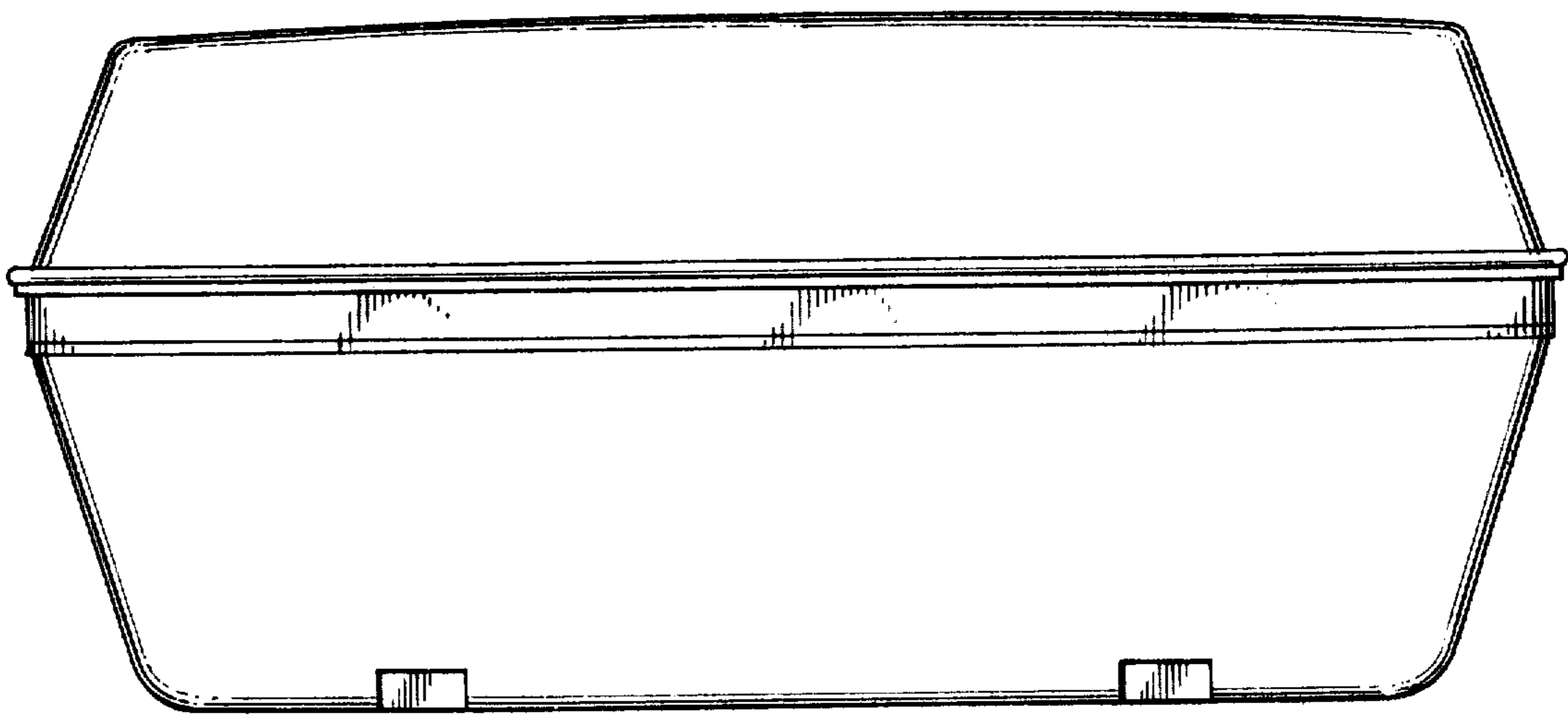


FIG. 5

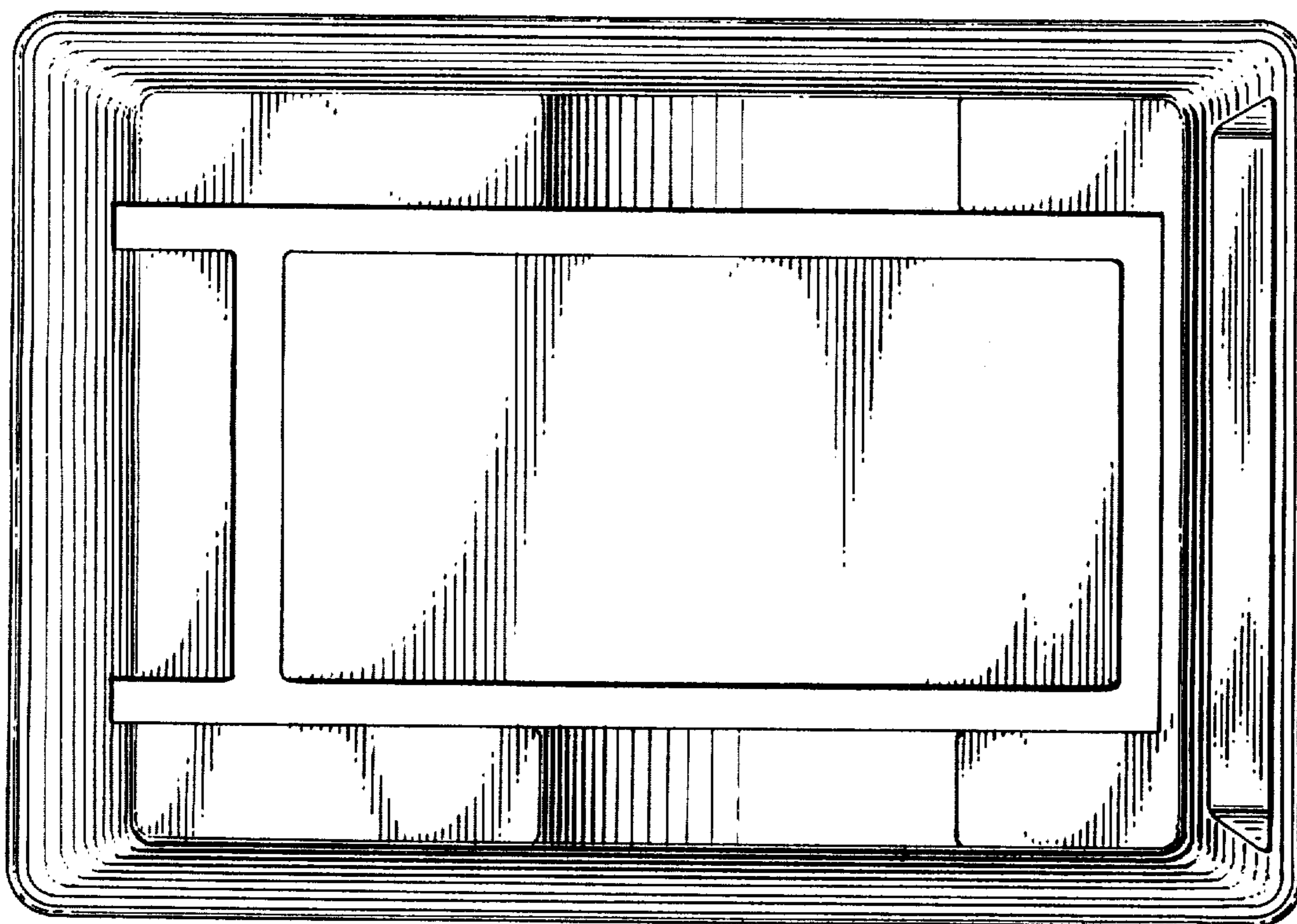


FIG. 6