

[54] KEY BLANK

[75] Inventor: Richard J. Ohno, Branford, Conn.
[73] Assignee: Walter Kidde & Company, Inc., New Haven, Conn.

[**] Term: 14 Years

[21] Appl. No.: 269,771

[22] Filed: Jun. 3, 1981

[51] Int. Cl. D8-07

[52] U.S. Cl. D8/347

[58] Field of Search D8/347; 70/393, 405, 70/407, 408

[56] References Cited

U.S. PATENT DOCUMENTS

- D. 176,159 11/1955 Schlage D8/347
- D. 206,397 12/1966 Ohno D8/347
- D. 246,761 12/1977 Kelley et al. D8/347

OTHER PUBLICATIONS

Motor-Oct. 1980-p. 17-3rd key from right in 2nd row from bottom.

Primary Examiner—Catherine E. Kemper
Attorney, Agent, or Firm—DeLio and Libert

[57] CLAIM

The ornamental design for a key blank, substantially as shown and described.

DESCRIPTION

FIG. 1 is a front elevational view of a key blank, showing my new design;
 FIG. 2 is a side elevational view, the opposite side being a mirror image thereof;
 FIG. 3 is a rear elevational view thereof;
 FIG. 4 is a top plan view thereof;
 FIG. 5 is a bottom plan view thereof;
 FIG. 6 is a sectional view taken along line 6—6 of FIG. 1;
 FIG. 7 is an enlarged sectional view taken along line 7—7 of FIG. 1;
 FIG. 8 is a front elevational view of a second embodiment of a key blank;
 FIG. 9 is a side elevational view, the opposite side being a mirror image thereof;
 FIG. 10 is a rear elevational view thereof;
 FIG. 11 is a top plan view thereof;
 FIG. 12 is a bottom plan view thereof.
 FIG. 13 is a sectional view taken along line 13—13 of FIG. 8;
 FIG. 14 is an enlarged sectional view taken along line 14—14 of FIG. 8.

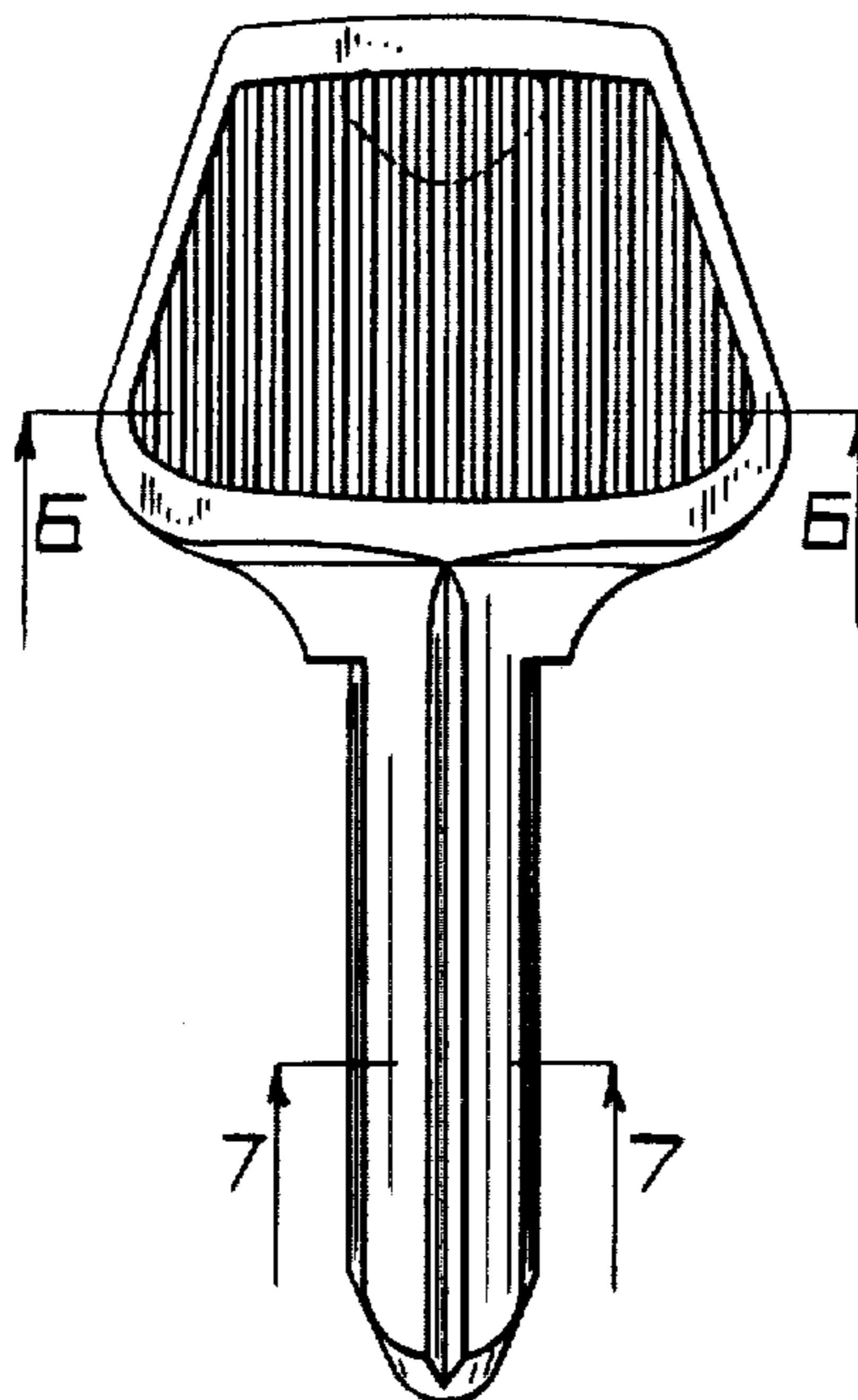


Fig. 1.

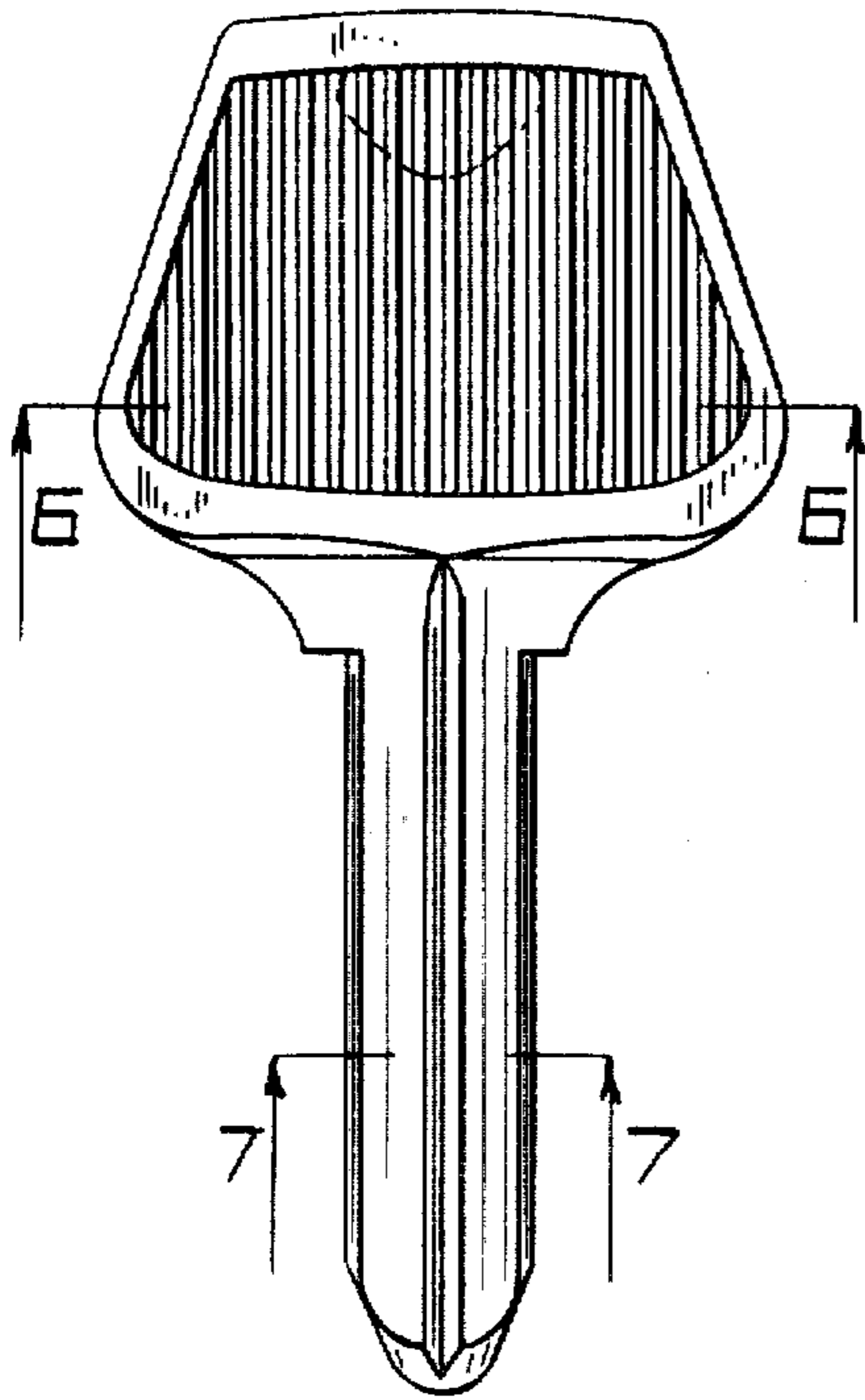


Fig. 2.

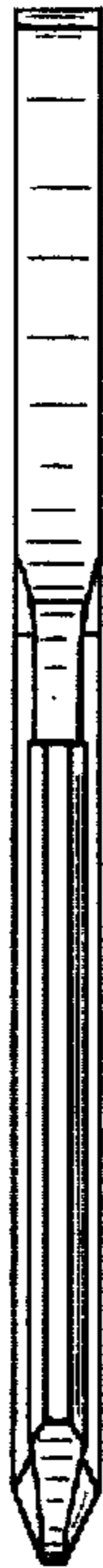


Fig. 3.

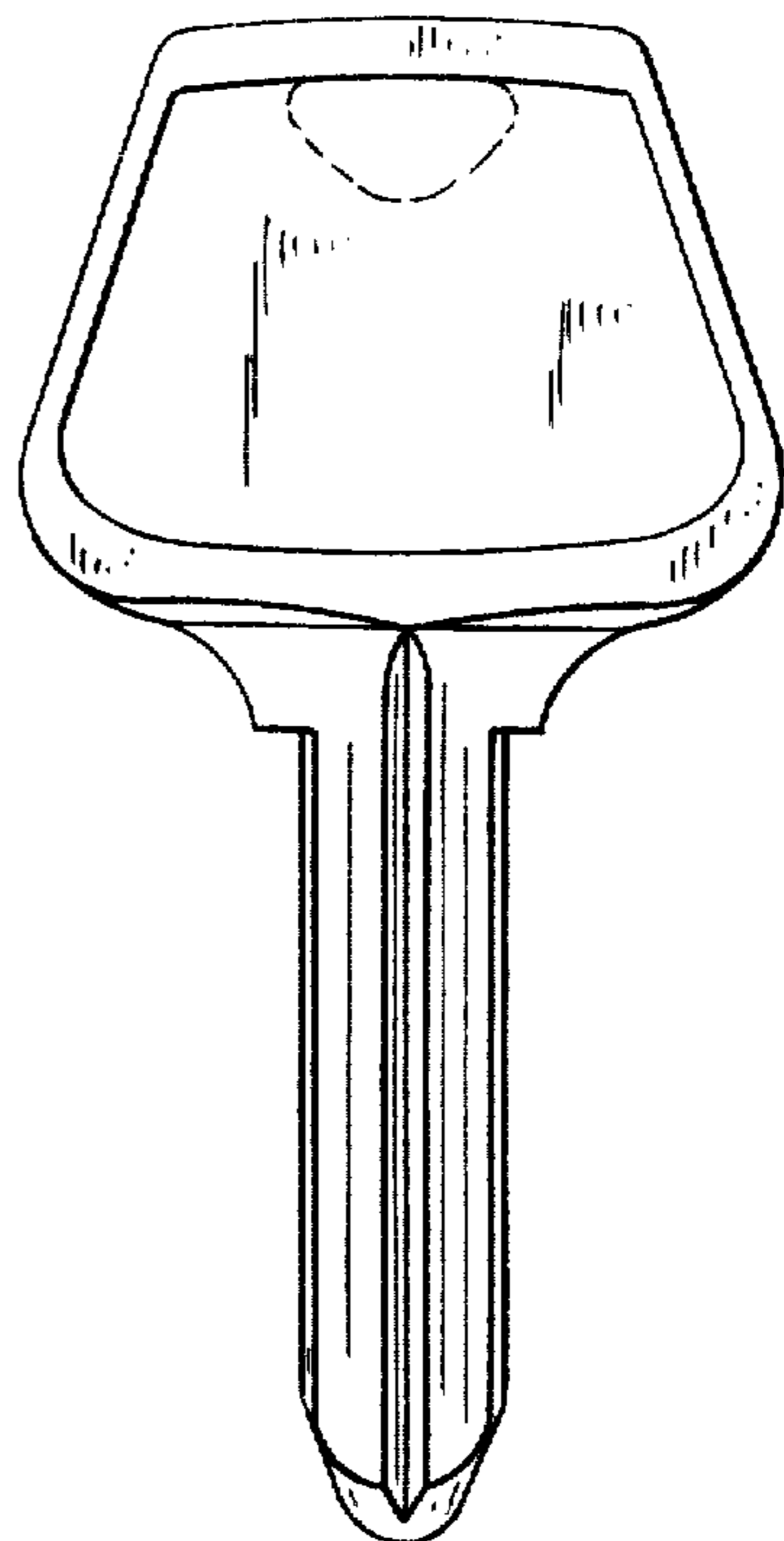


Fig. 4.

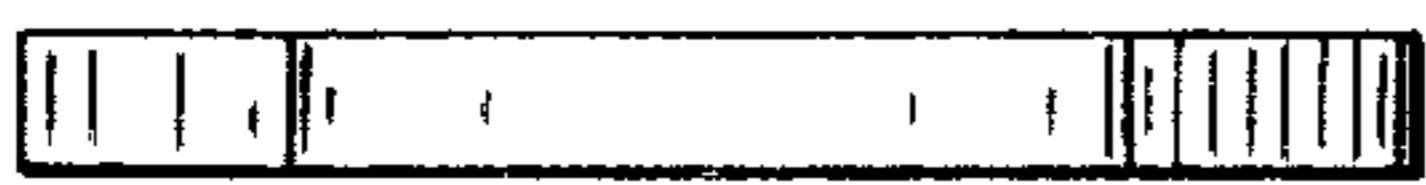


Fig. 5.



Fig. 6.



Fig. 7.

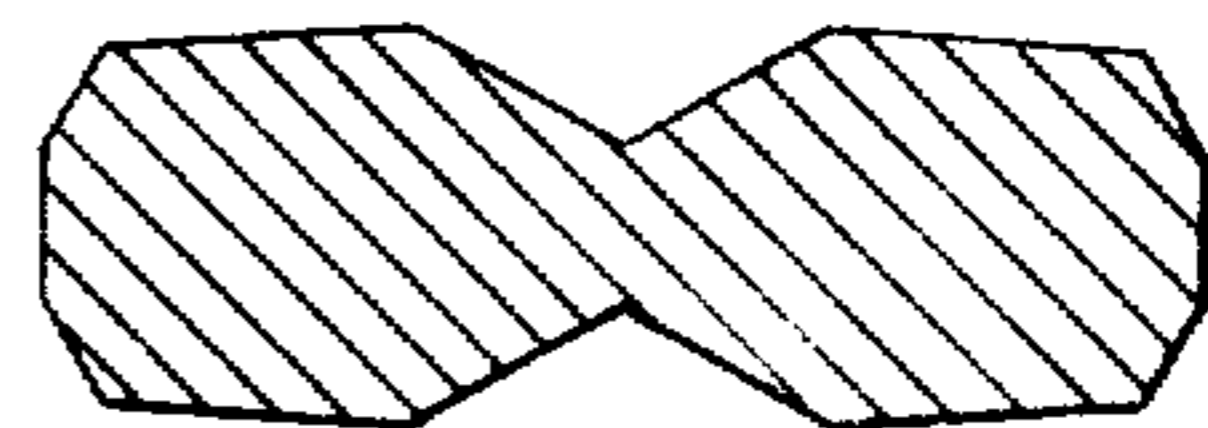


Fig. 8

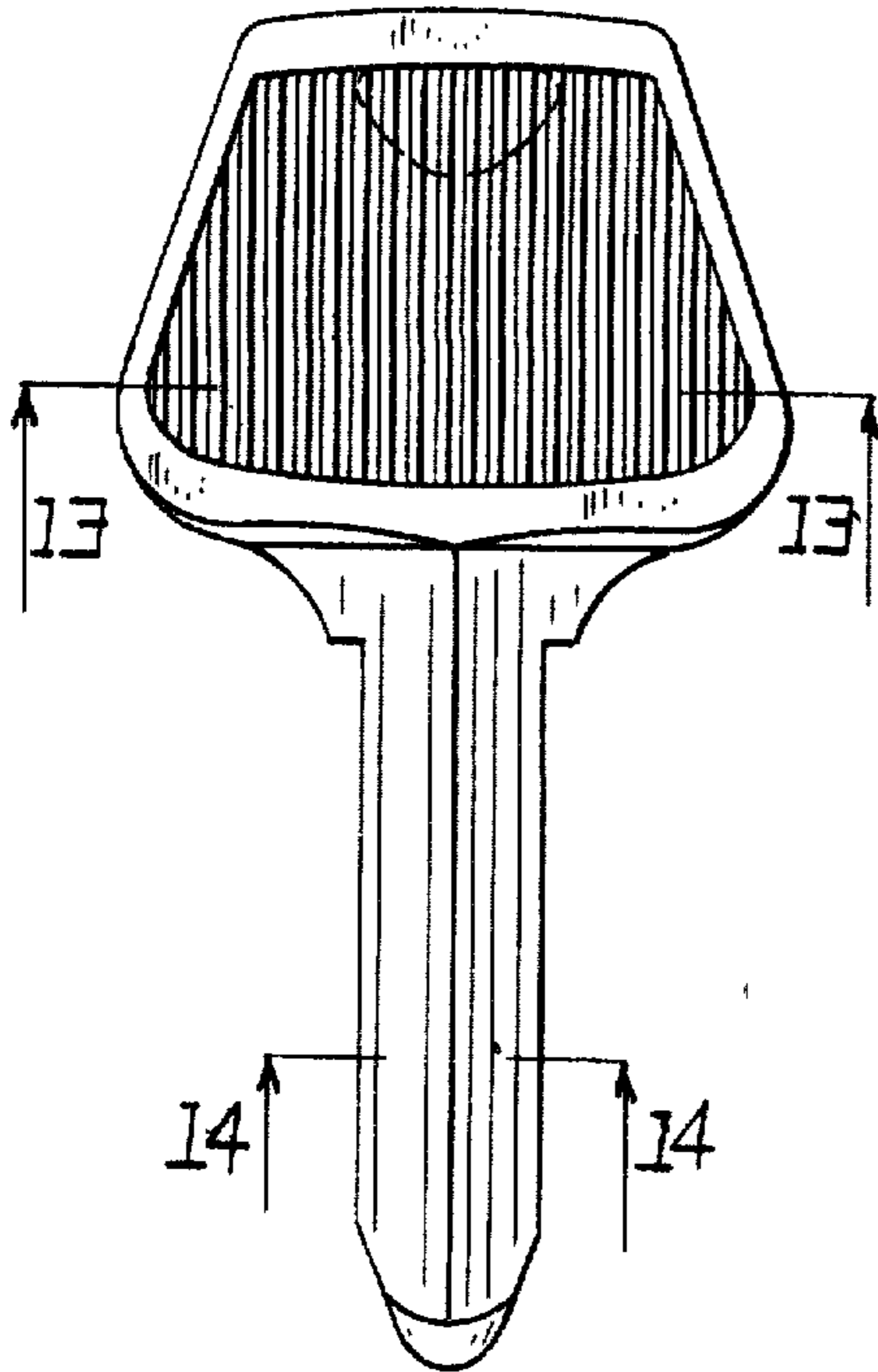


Fig. 9



Fig. 10

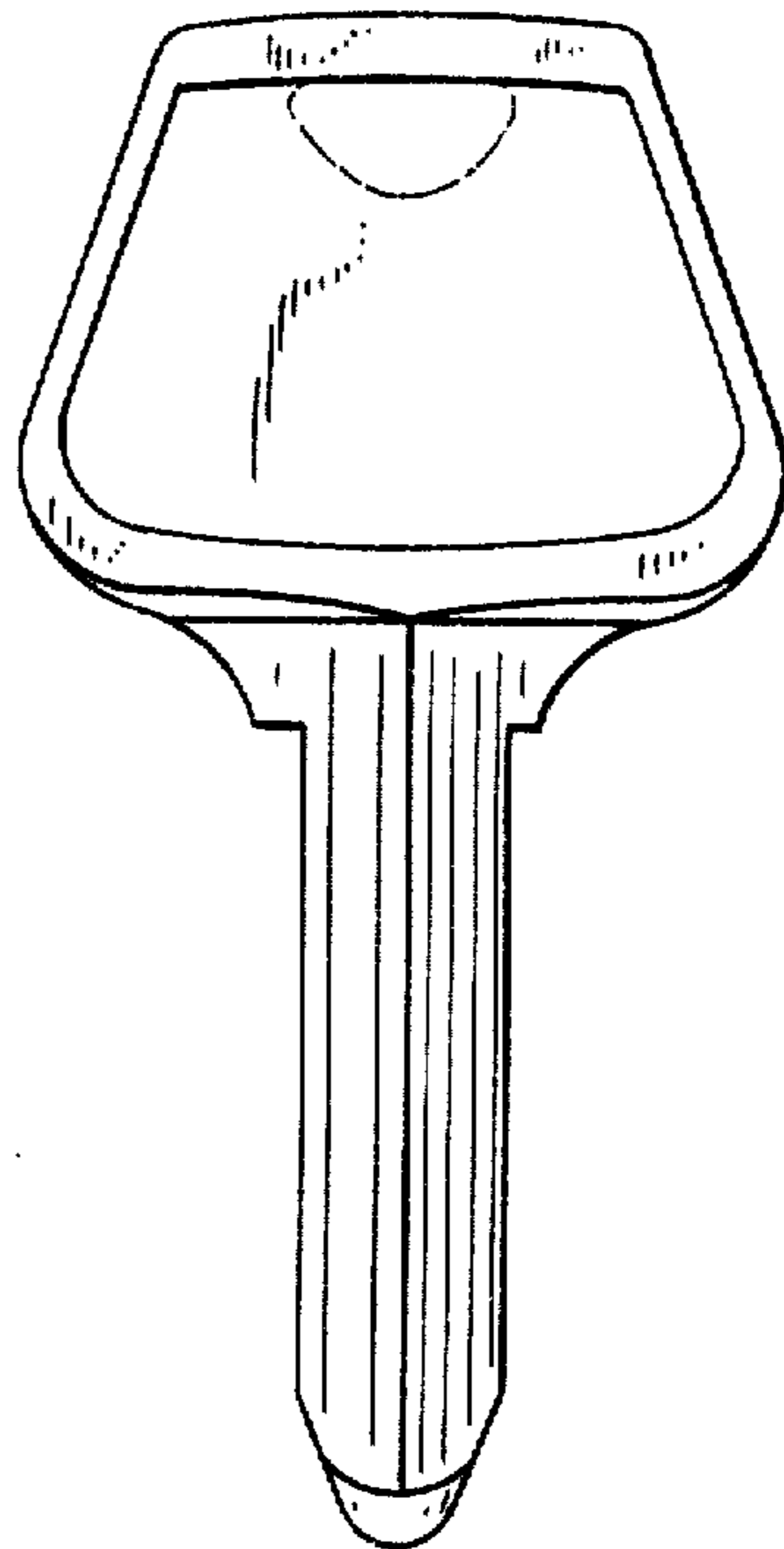


Fig. 11

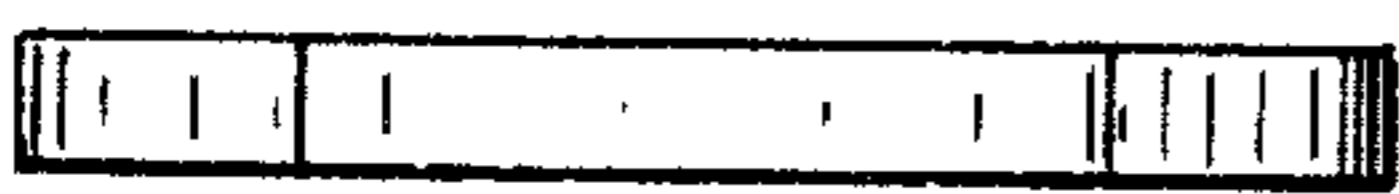


Fig. 12



Fig. 13



Fig. 14

