

[54] ELECTRIC PRESSURE CONNECTING MACHINE

[75] Inventors: Yasuharu Sakai, Kyoto; Kazuhiro Matsui, Aichi, both of Japan

[73] Assignees: Japan Storage Battery Company Limited, Kyoto; Proto Planning Co., Aichi, both of Japan

[**] Term: 14 Years

[21] Appl. No.: 336,213

[22] Filed: Dec. 31, 1981

[51] Int. Cl. D8-05

[52] U.S. Cl. D8/61

[58] Field of Search D8/61; 72/452, 453.15, 72/453.16, 412, 415, 407; 29/243.56, 243.57

[56]

References Cited

U.S. PATENT DOCUMENTS

D. 191,635 10/1961 Ustin D8/61

D. 202,377 9/1965 Broske et al. D8/61

Primary Examiner—Catherine E. Kemper
Attorney, Agent, or Firm—Sughrue, Mion, Zinn,
Macpeak & Seas

[57]

CLAIM

The ornamental design for an electric pressure connecting machine, as shown and described.

DESCRIPTION

FIG. 1 is a front, top and right side perspective view of an electric pressure connecting machine showing our new design;

FIG. 2 is a front elevational view thereof;

FIG. 3 is a rear elevational view thereof;

FIG. 4 is a top plan view thereof;

FIG. 5 is a bottom plan view thereof; and

FIG. 6 is a right side elevational view thereof, the opposite side being a mirror image thereof.

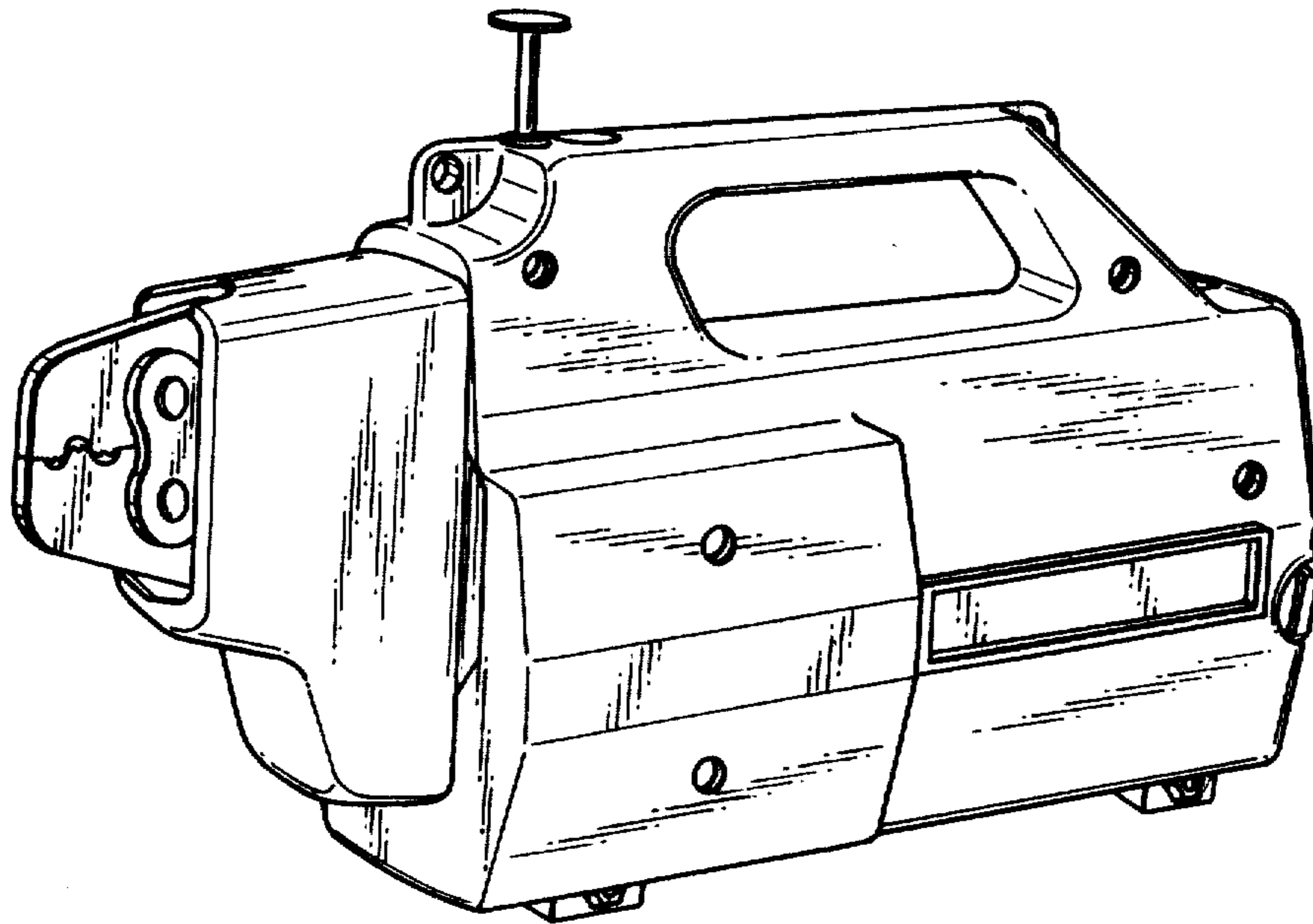


Fig. 1

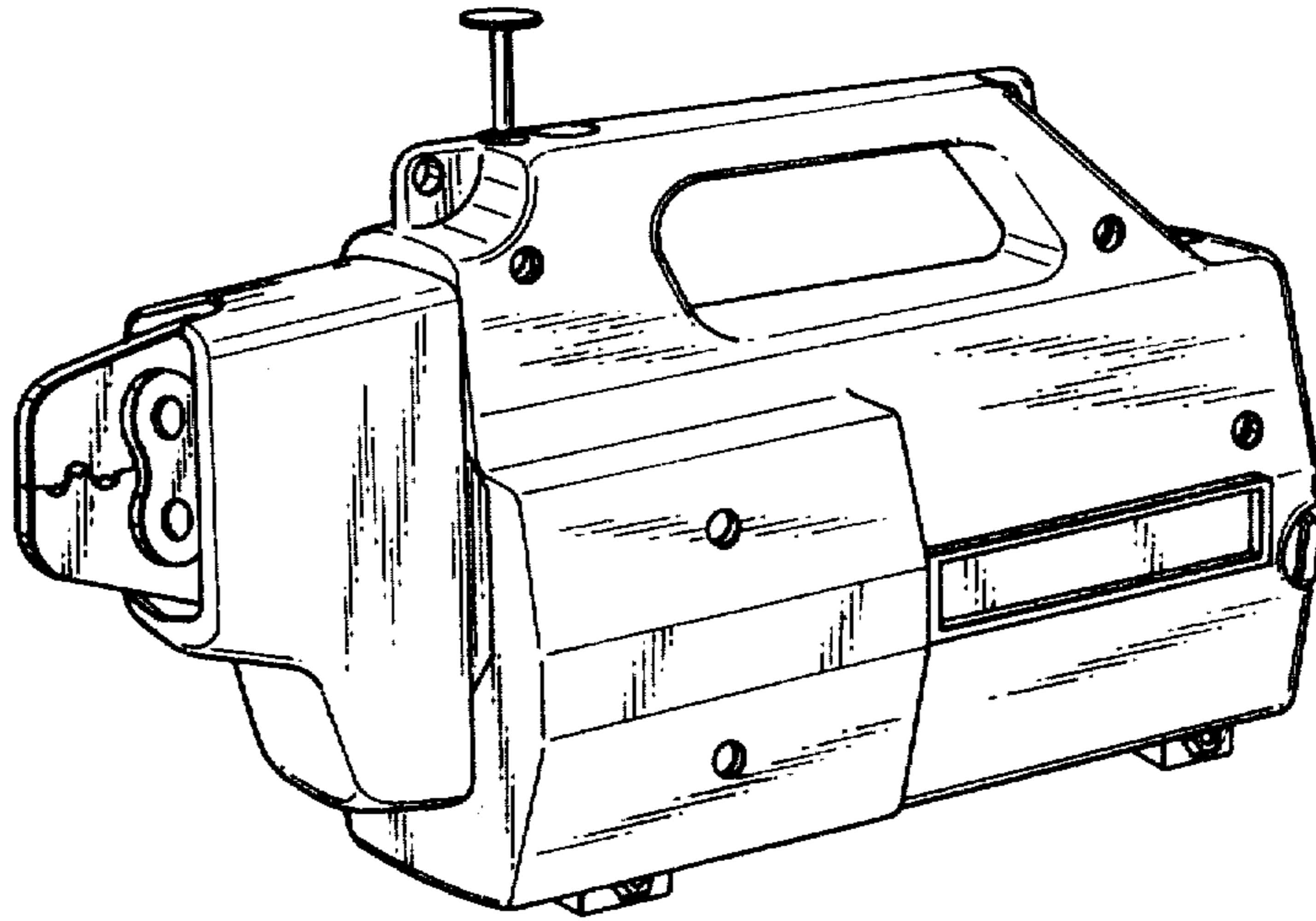


Fig. 2

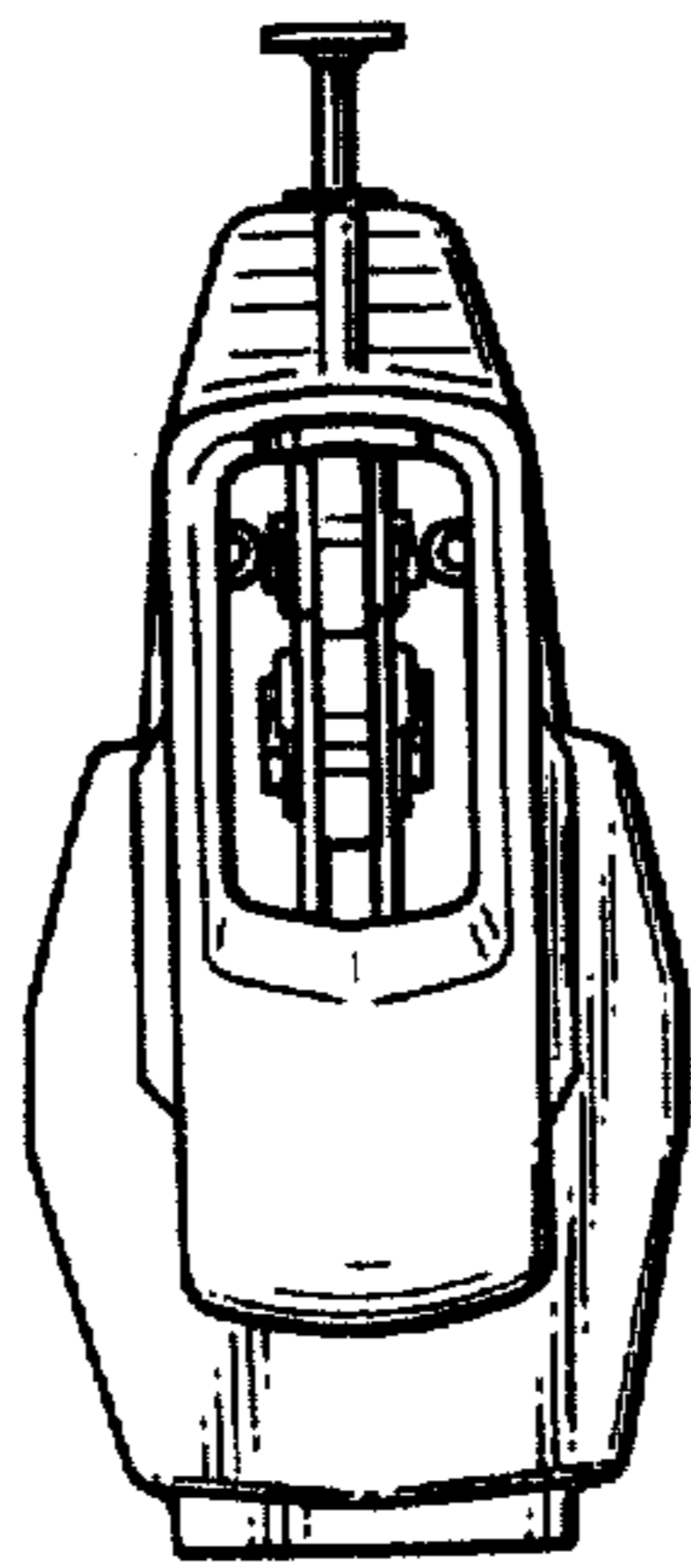


Fig. 3

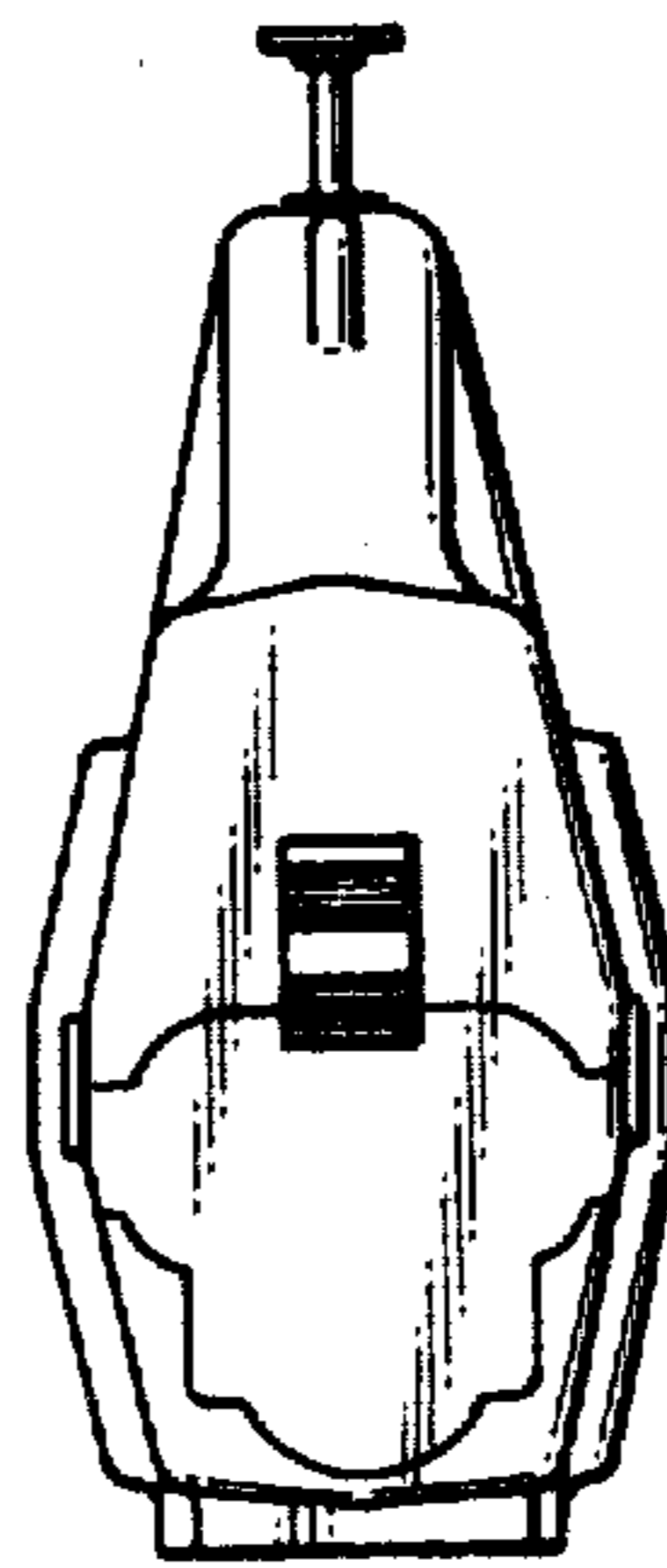


Fig. 4

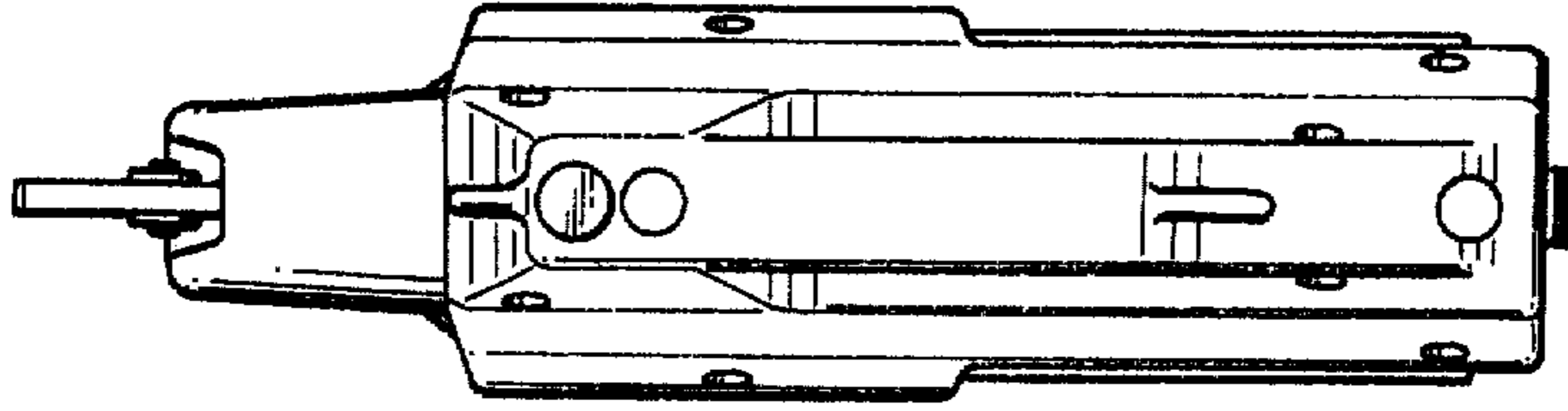


Fig. 5

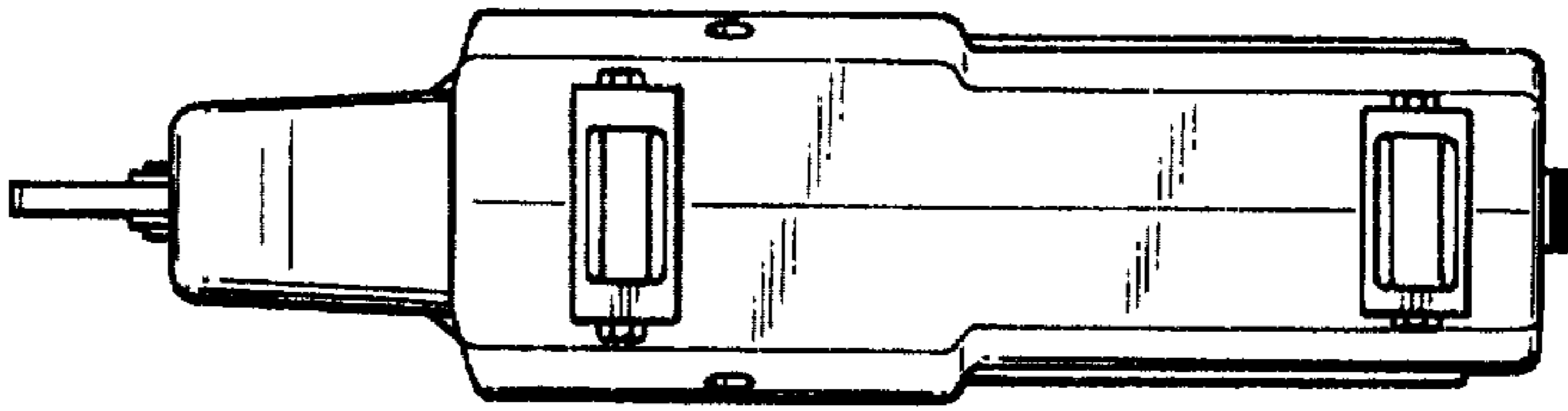


Fig. 6

