

[54] FLOATING HOLDER FOR A TUMBLER OR THE LIKE

[76] Inventor: James H. Steiner, 2378 Woodland Ter., Fort Myers, Fla. 33907

[**] Term: 14 Years

[21] Appl. No.: 314,248

[22] Filed: Oct. 23, 1981

[51] Int. Cl. D07-01

[52] U.S. Cl. D7/70; D6/188

[58] Field of Search D7/70, 71, 23, 27; D6/188; 220/1, 90.2, 90.4, 85 H; 441/136

[56]

References Cited

U.S. PATENT DOCUMENTS

D. 232,793	9/1974	Bennett	D7/27
3,015,406	1/1962	Nolte	D7/23
3,533,529	10/1970	Helbig	D7/23
4,163,374	8/1979	Moore et al.	D7/70

Primary Examiner—Melvin B. Feifer
Attorney, Agent, or Firm—Duckworth, Allen, Dyer & Pettis

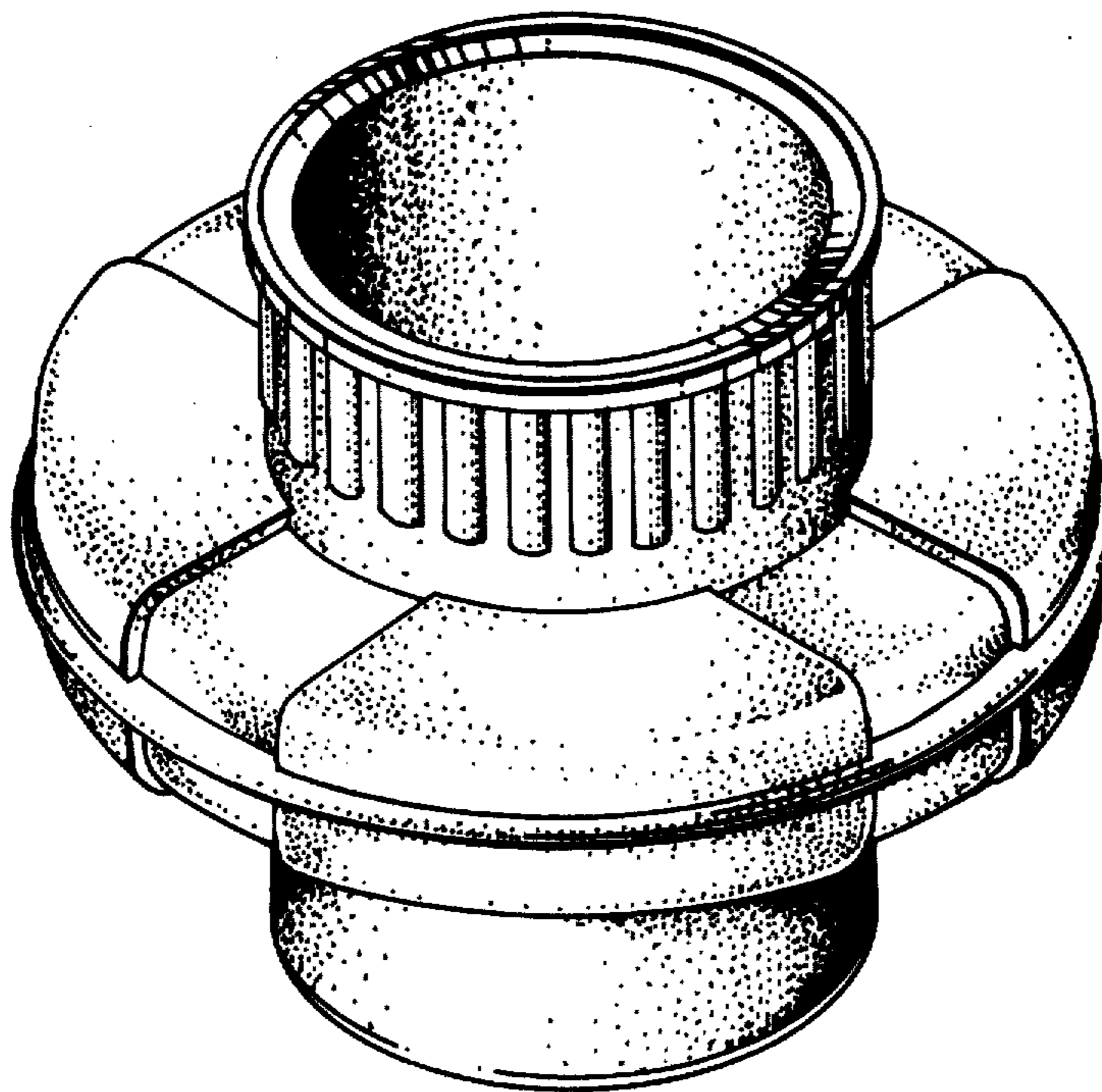
[57]

CLAIM

The ornamental design for a floating holder for a tumbler or the like, as shown.

DESCRIPTION

FIG. 1 is a top perspective view of the floating holder for a tumbler or the like, showing my new design; and, FIG. 2 is a bottom perspective view of the floating holder for a tumbler or the like.



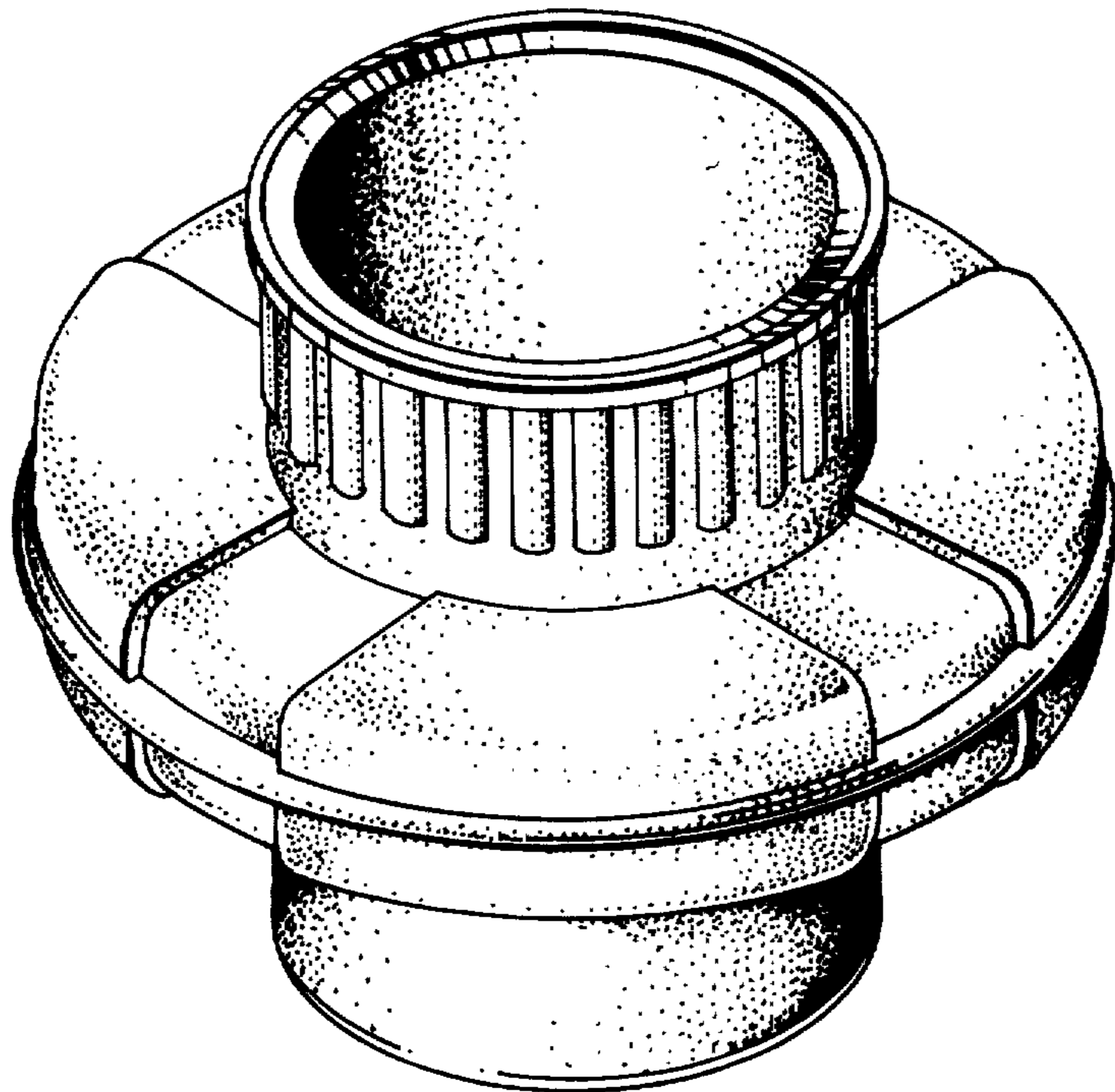


FIG. 1

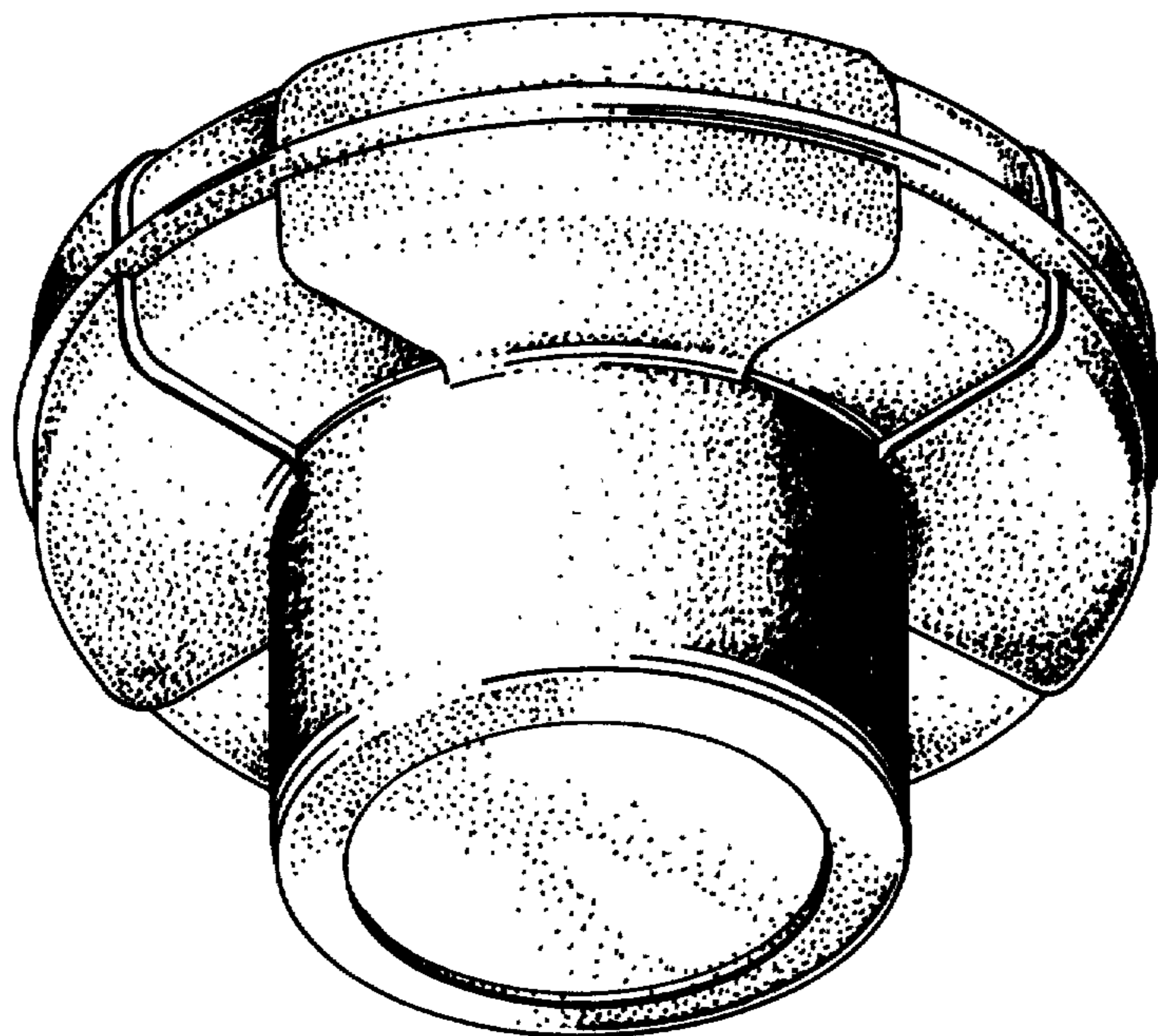


FIG. 2