

[54] CASSEROLE

[75] Inventor: Nicholas P. Angelakos, Staten Island, N.Y.

[73] Assignee: Lancaster Colony Corporation, New York, N.Y.

[**] Term: 14 Years

[21] Appl. No.: 296,681

[22] Filed: Aug. 27, 1981

[51] Int. Cl. D07-01

[52] U.S. Cl. D7/17; D7/22

[58] Field of Search D7/17, 16, 78, 354, D7/360, 22

[56] References Cited

U.S. PATENT DOCUMENTS

- D. 80,499 2/1930 Sebring D7/17
- D. 146,810 5/1947 Rubel D7/17
- D. 240,883 8/1976 Press D7/17

FOREIGN PATENT DOCUMENTS

857134 11/1952 Fed. Rep. of Germany ... D7/354 X

OTHER PUBLICATIONS

Idea 55, ©1955, International Design Annual, p. 57 Panel #136 Richard Sussmuth, Cake Box-Clear Glass bottom left.

Glass of Frederick Carder, by Paul Gardener ©1971, p. 209, r. col., #3077, Marmalade Jars, Mustard Pots, etc.

Primary Examiner—Winifred E. Herrmann
Attorney, Agent, or Firm—Alan H. Levine

[57] CLAIM

The ornamental design for a casserole, substantially as shown.

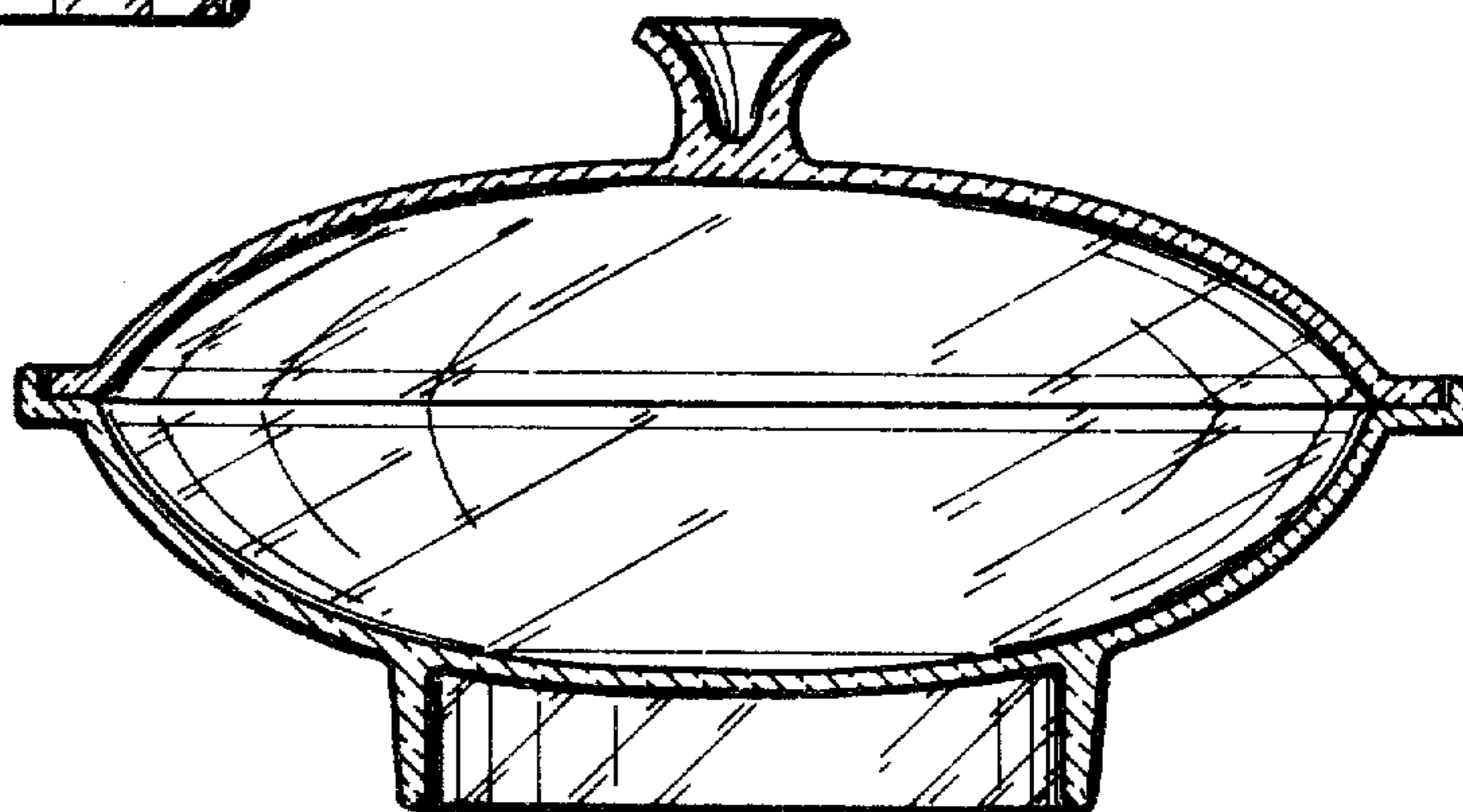
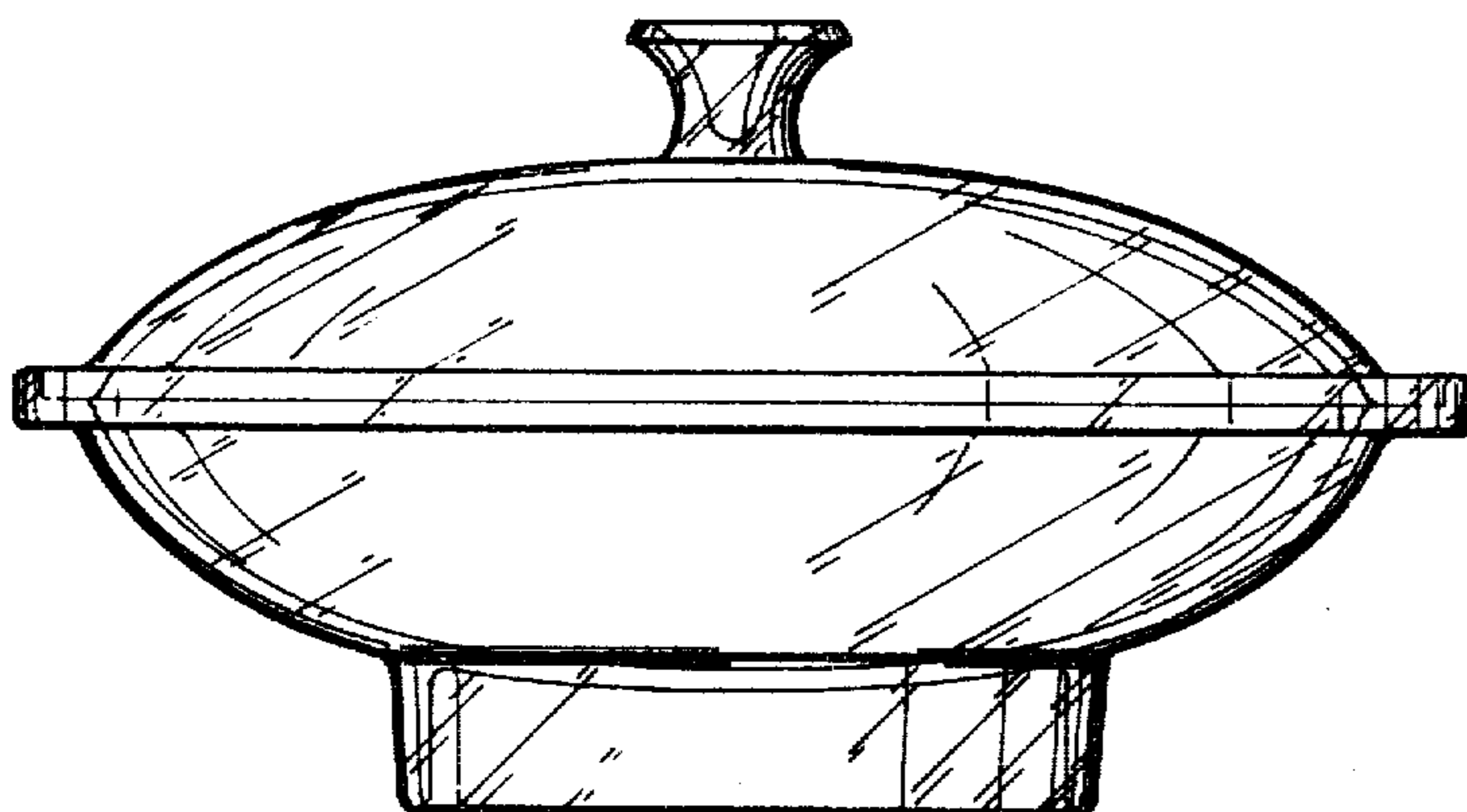
DESCRIPTION

FIG. 1 is an elevational view of a casserole showing my new design;

FIG. 2 is a top view thereof;

FIG. 3 is a diametrical cross-sectional view thereof; and

FIG. 4 is a bottom view thereof.



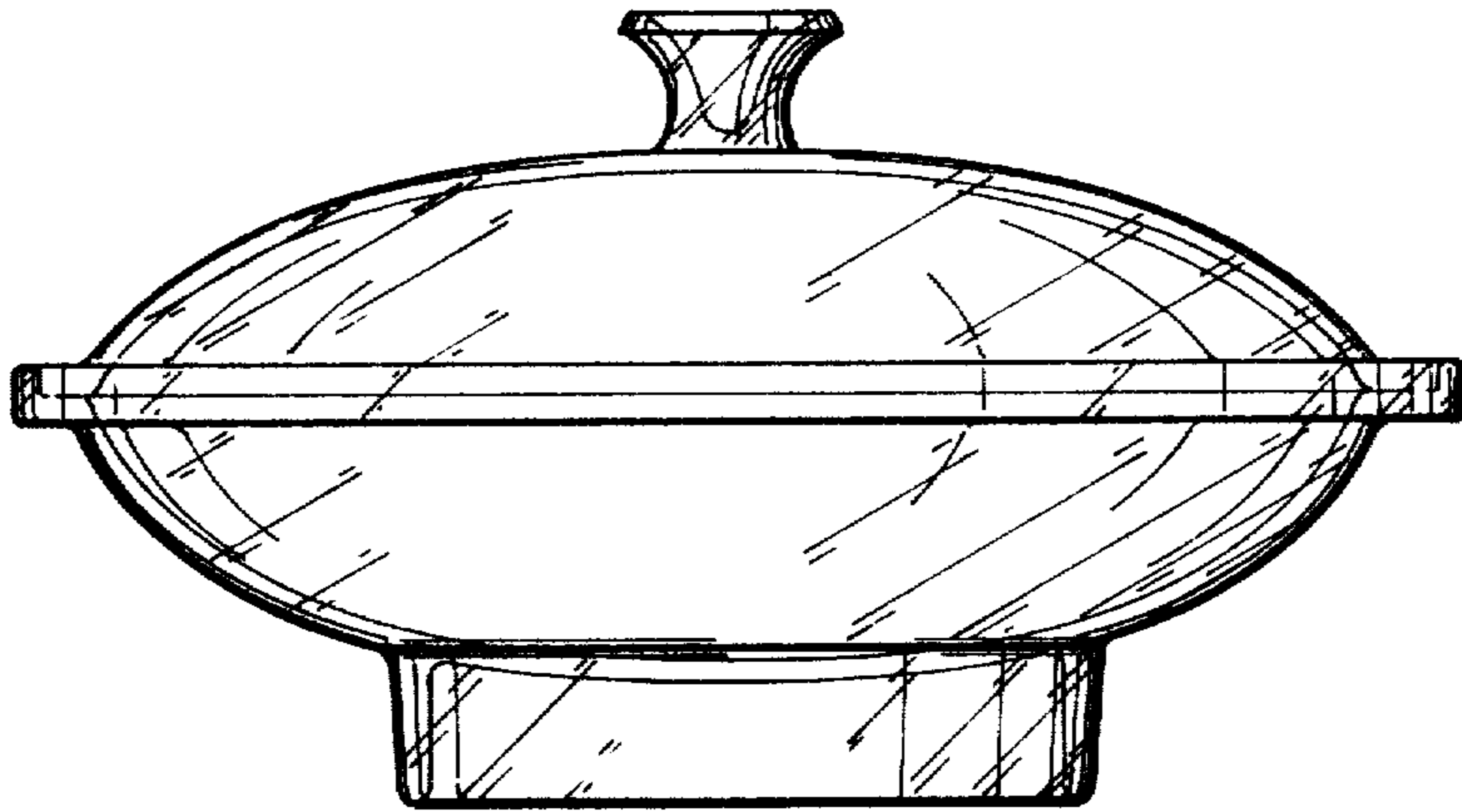


FIG. 1

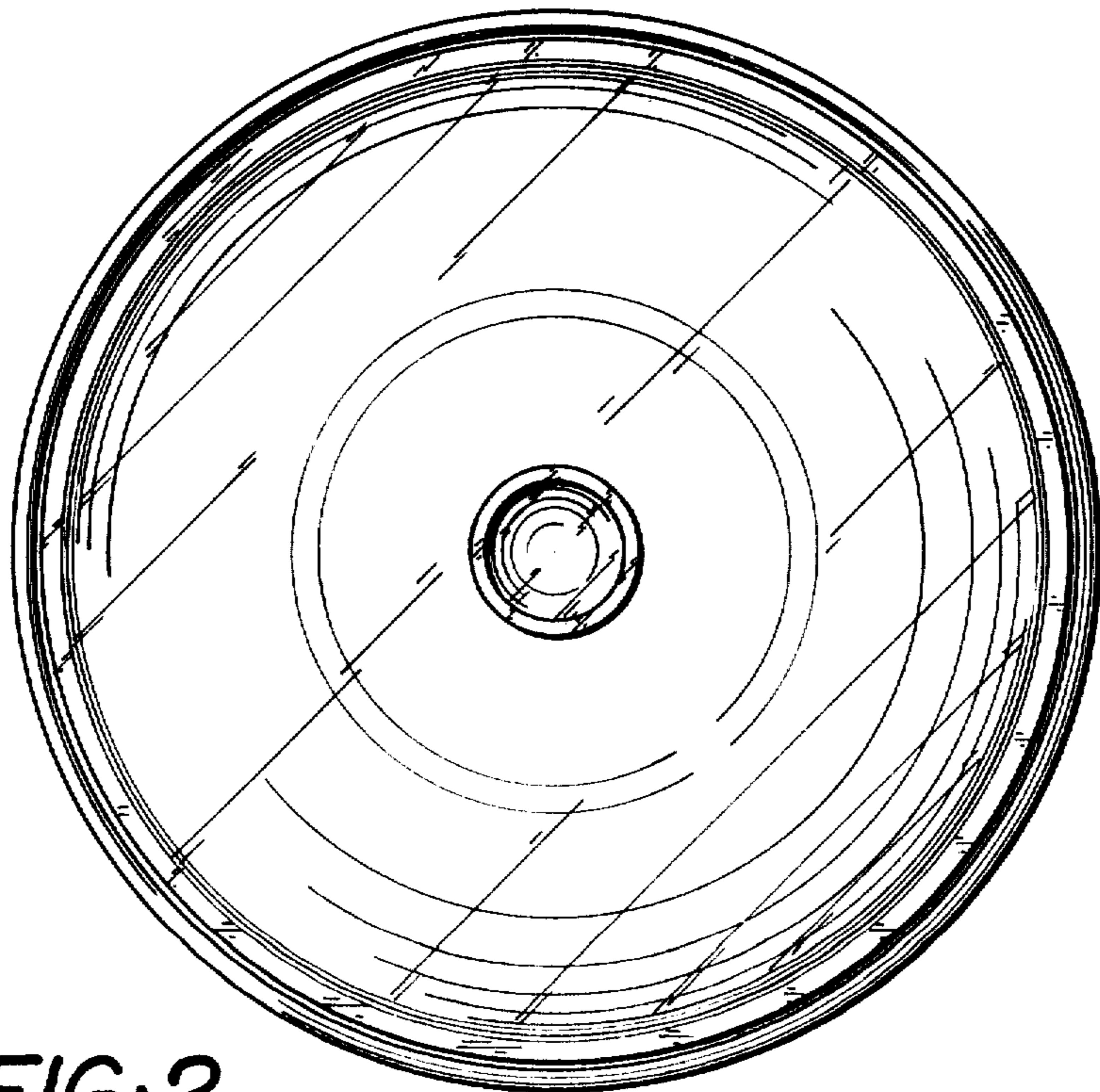


FIG. 2

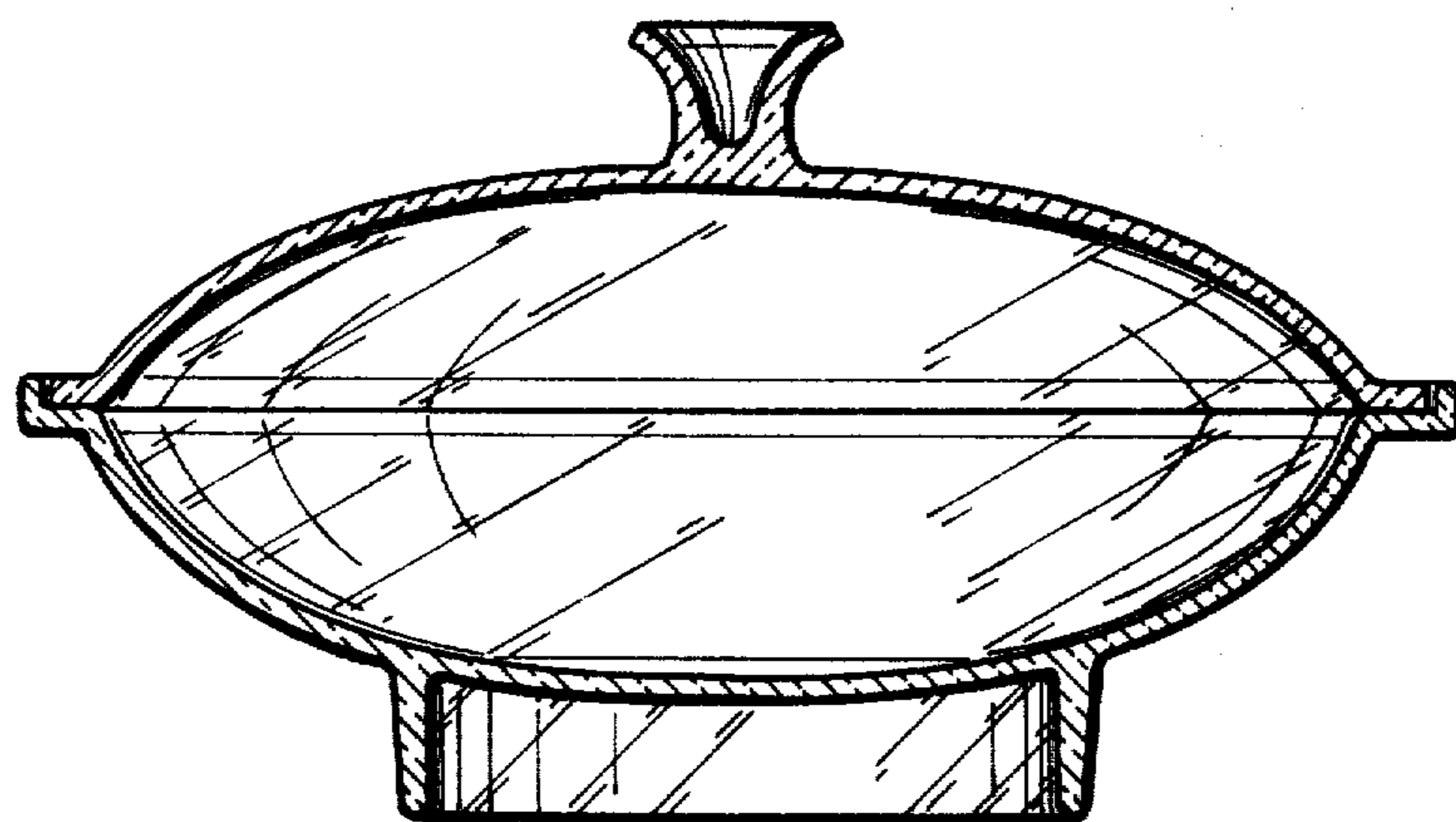


FIG. 3

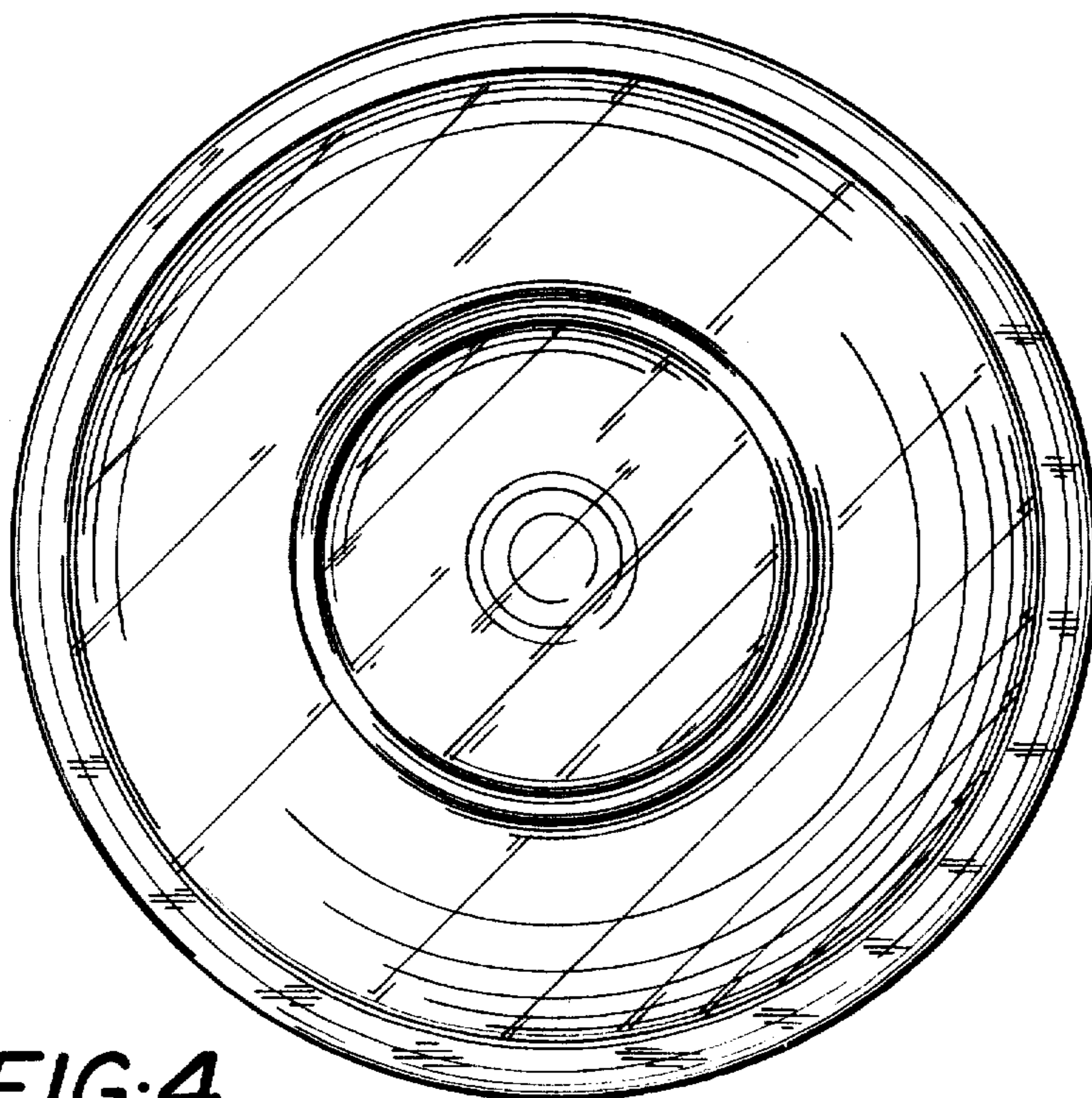


FIG. 4