

United States Patent [19]

Batts et al.

[11] **Des. 272,502**

[45] **** Feb. 7, 1984**

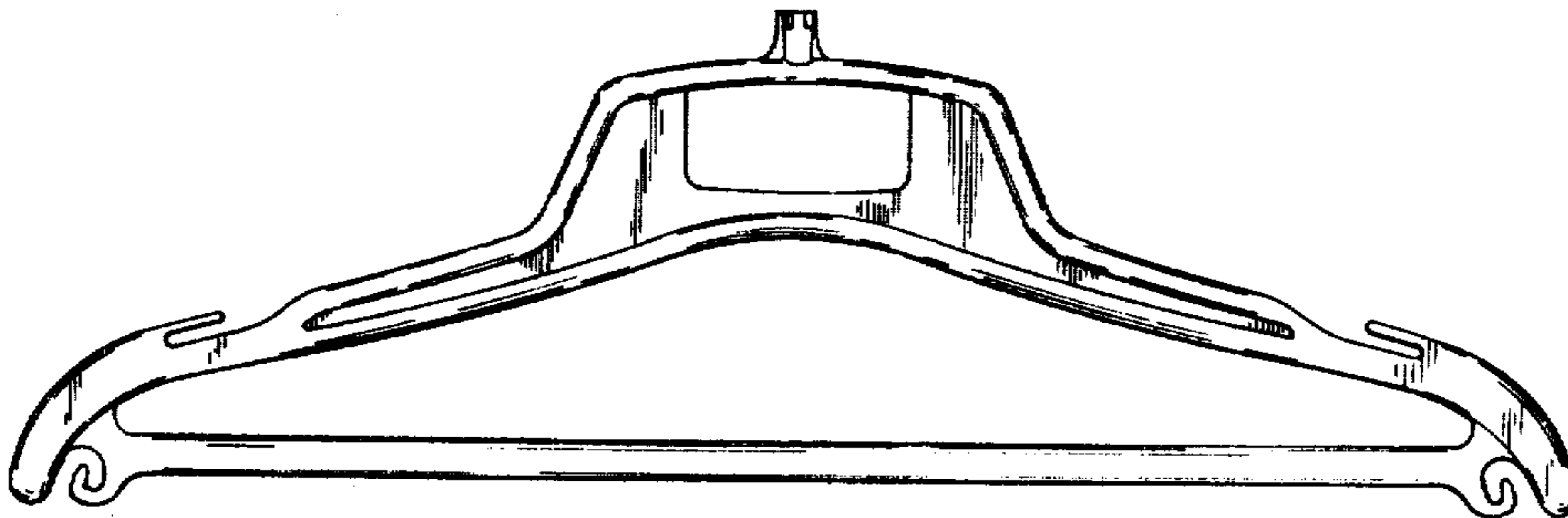
- [54] **GARMENT HANGER BODY**
- [75] **Inventors:** John H. Batts, East Grand Rapids;
Everett L. Duester, Zeeland, both of
Mich.
- [73] **Assignee:** John Thomas Batts, Inc., Zeeland,
Mich.
- [*] **Notice:** The portion of the term of this patent
subsequent to Feb. 15, 1997 has been
disclaimed.
- [**] **Term:** 14 Years
- [21] **Appl. No.:** 271,108
- [22] **Filed:** Jun. 5, 1981
- [51] **Int. Cl.** D6-08
- [52] **U.S. Cl.** D6/254; D6/255;
D6/256; D6/257
- [58] **Field of Search** D6/247-257;
211/113, 118, 119; 223/85, 87-96, DIG. 3

- [56] **References Cited**
U.S. PATENT DOCUMENTS
D. 267,920 2/1983 Batts et al. D6/254
1,975,254 10/1934 D'Amato D6/255

Primary Examiner—B. J. Bullock
Attorney, Agent, or Firm—Price, Heneveld, Huizenoa &
Cooper

- [57] **CLAIM**
The ornamental design for a garment hanger body,
substantially as shown.

DESCRIPTION
FIG. 1 is a front elevational view of a garment hanger
body showing a new design;
FIG. 2 is a top plan view thereof;
FIG. 3 is a bottom plan view thereof;
FIG. 4 is an end elevational view thereof;
FIG. 5 is a rear elevational view thereof;
FIG. 6 is an enlarged sectional view taken in the direc-
tion of the arrows on line VI—VI of FIG. 5; and
FIG. 7 is an enlarged sectional view taken in the direc-
tion of the arrows on line VII—VII of FIG. 5.



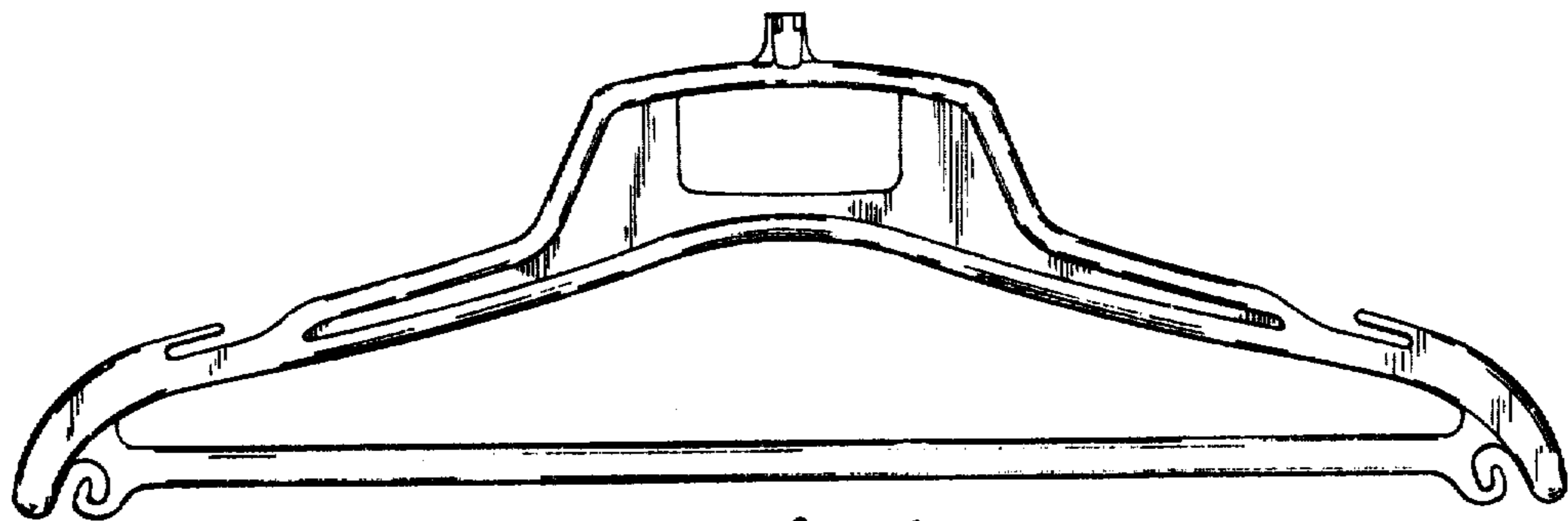


Fig. 1.



Fig. 2.

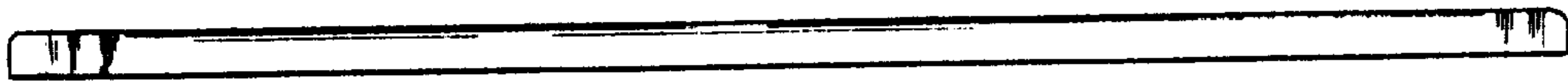


Fig. 3.



Fig. 4.

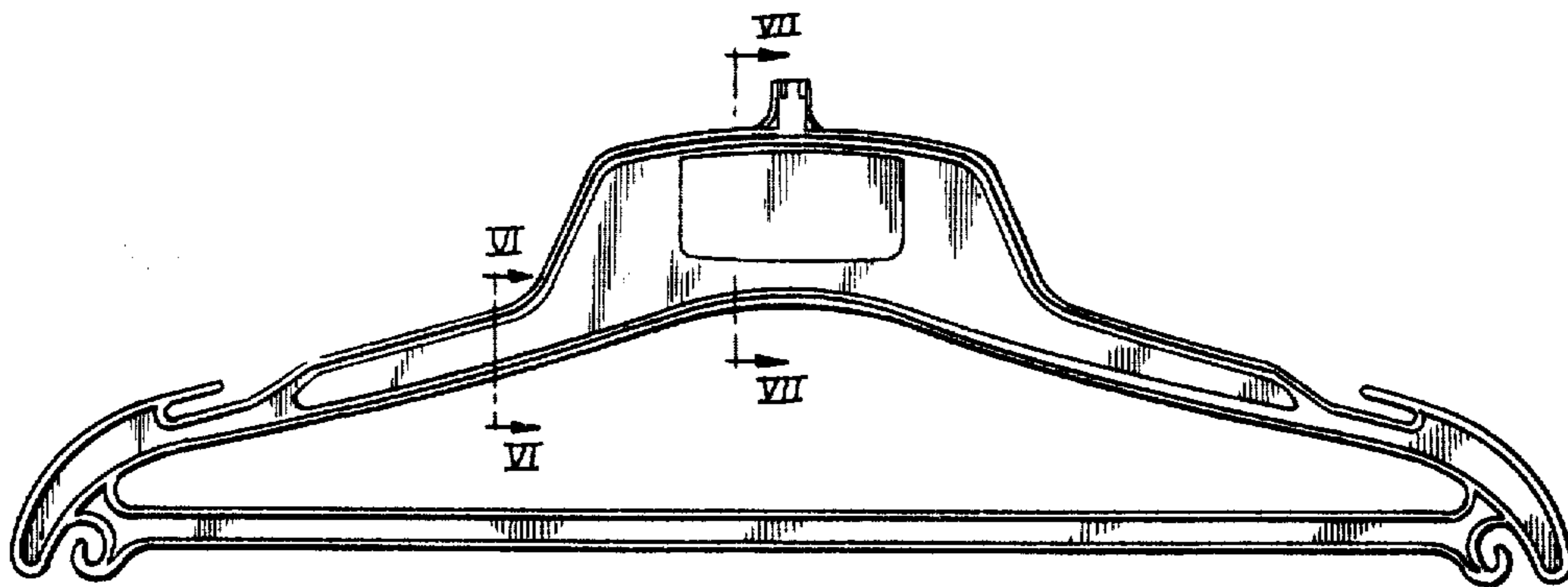


Fig. 5.

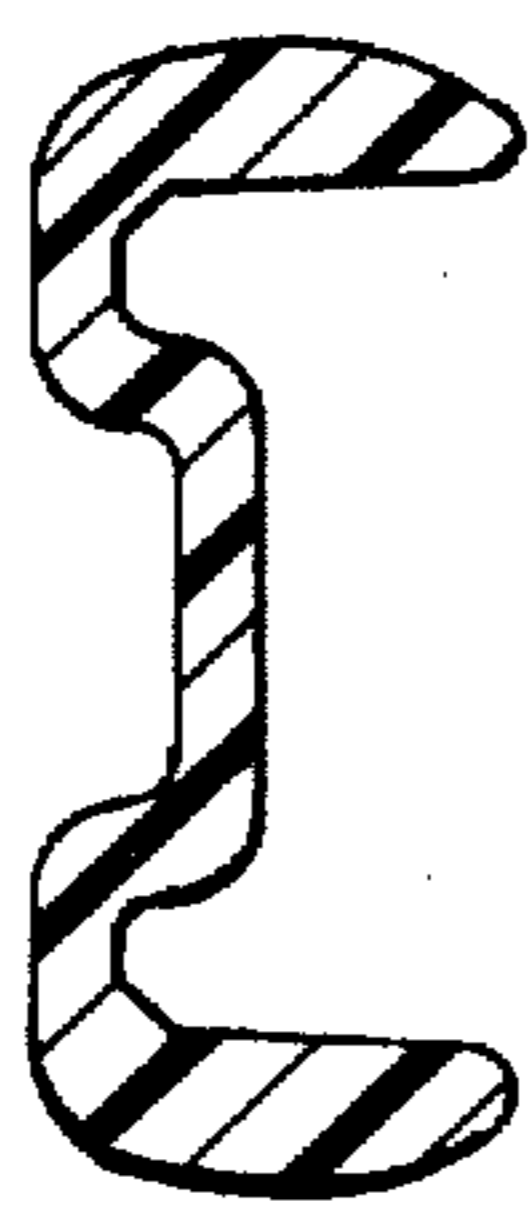


Fig. 6.



Fig. 7.