

[54] BOOK HANGER

1,170,628 2/1916 Garrison ..... 211/113  
3,329,386 7/1967 Rosen ..... D6/251

[76] Inventor: John E. Mahowald, 1401 Klepper Ave., Kingsburg, Calif. 93631

FOREIGN PATENT DOCUMENTS

2436276 5/1980 France ..... 211/113

[\*\*] Term: 14 Years

Primary Examiner—B. J. Bullock  
Attorney, Agent, or Firm—Manfred M. Warren; Robert B. Chickering; Glen R. Grunewald

[21] Appl. No.: 316,119

[22] Filed: Oct. 29, 1981

[57] CLAIM

[51] Int. Cl. .... D6—08; D6—06

The ornamental design for a book hanger, as shown and described.

[52] U.S. Cl. .... D6/113; D6/247

[58] Field of Search ..... D6/113, 247, 248, 250-257; 211/113; 248/317; 223/85, 87, 88, 91, 92, 94-96

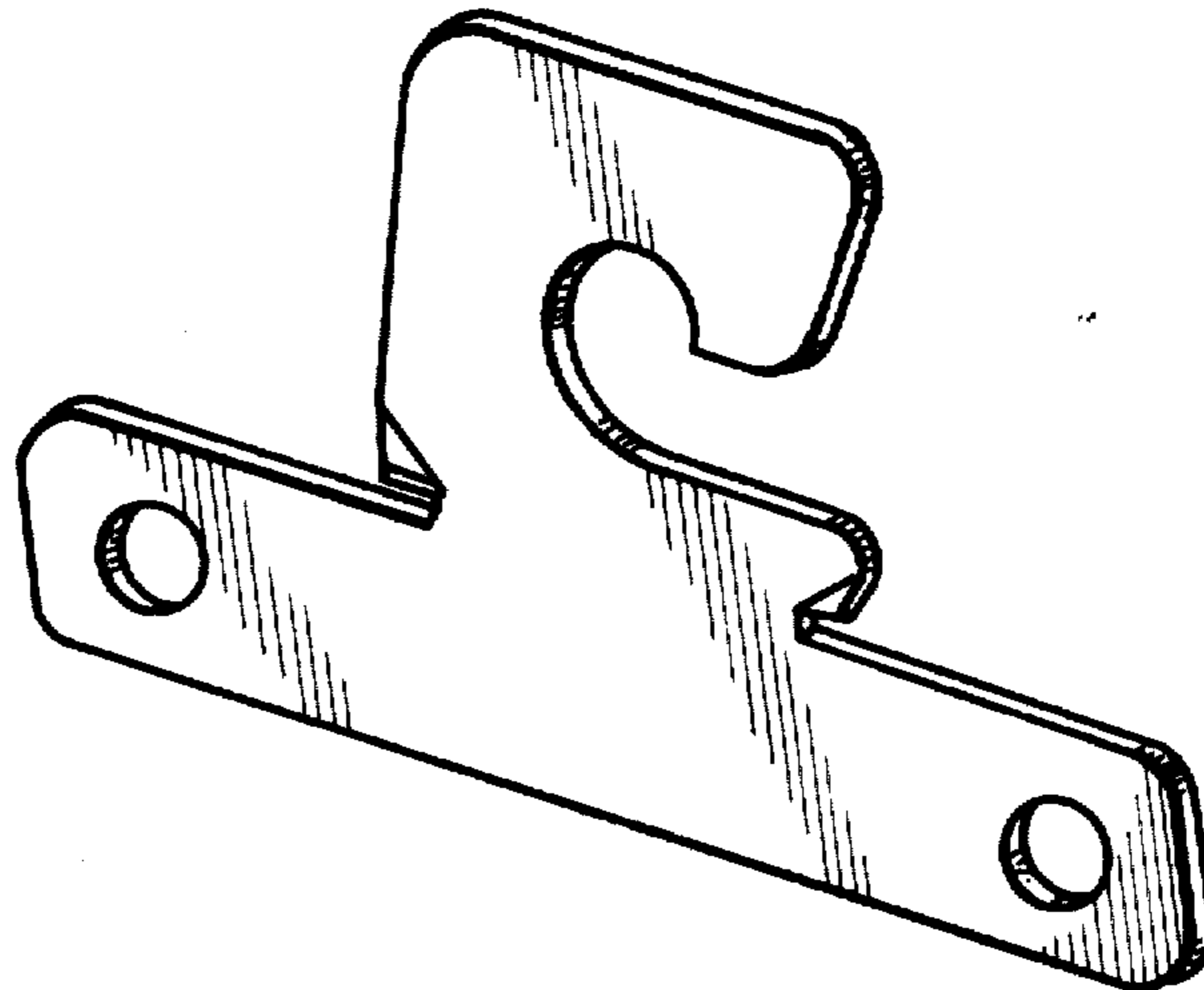
DESCRIPTION

[56] References Cited

U.S. PATENT DOCUMENTS

D. 193,256 7/1962 Silver ..... D6/251  
D. 264,789 6/1982 Zyla et al. .... D6/113

FIG. 1 is a perspective view of a book hanger embodying my new design;  
FIG. 2 is a front view thereof;  
FIG. 3 is a side view taken from the right of FIG. 1;  
FIG. 4 is a bottom view thereof.



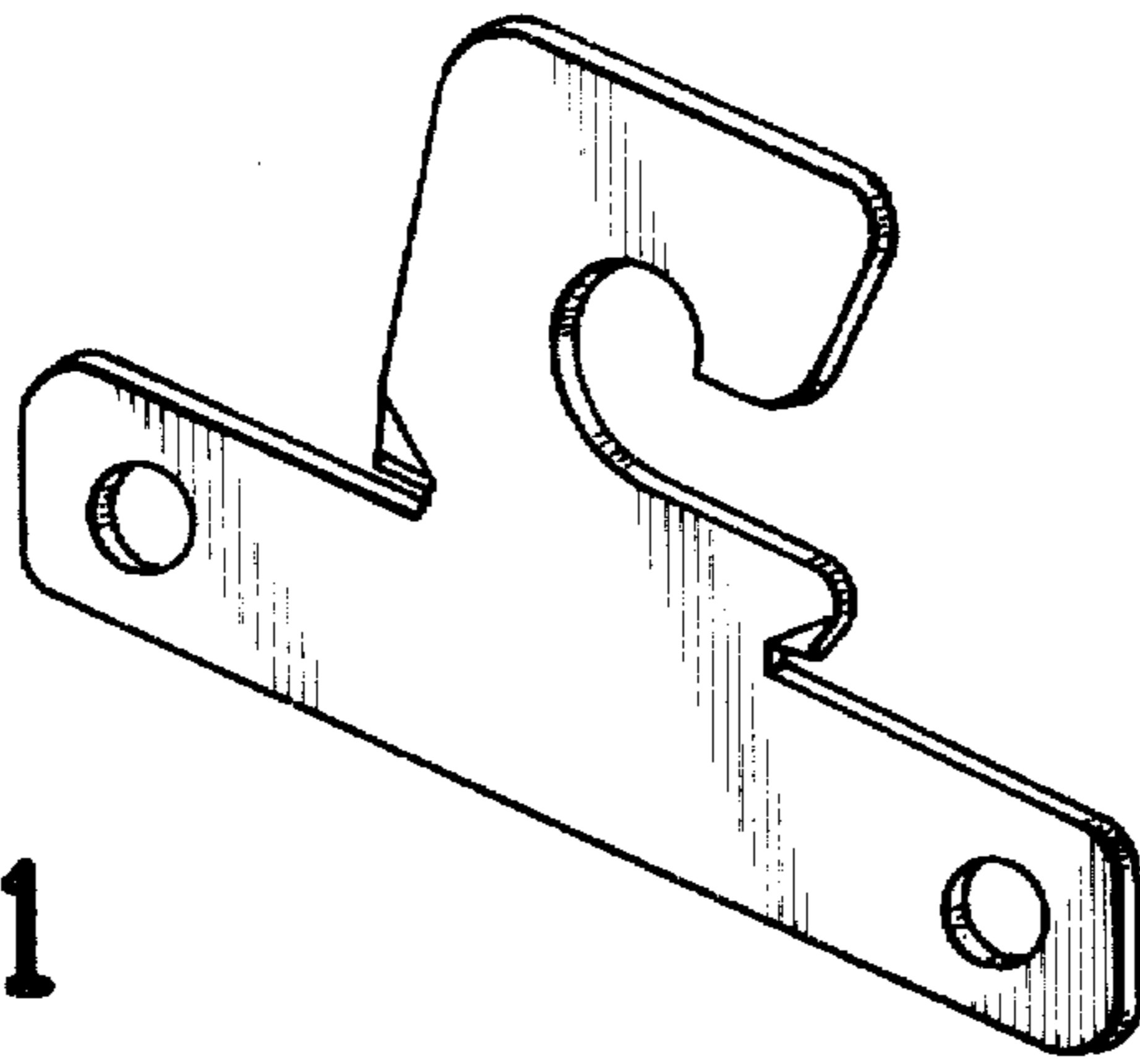


FIG \_ 1

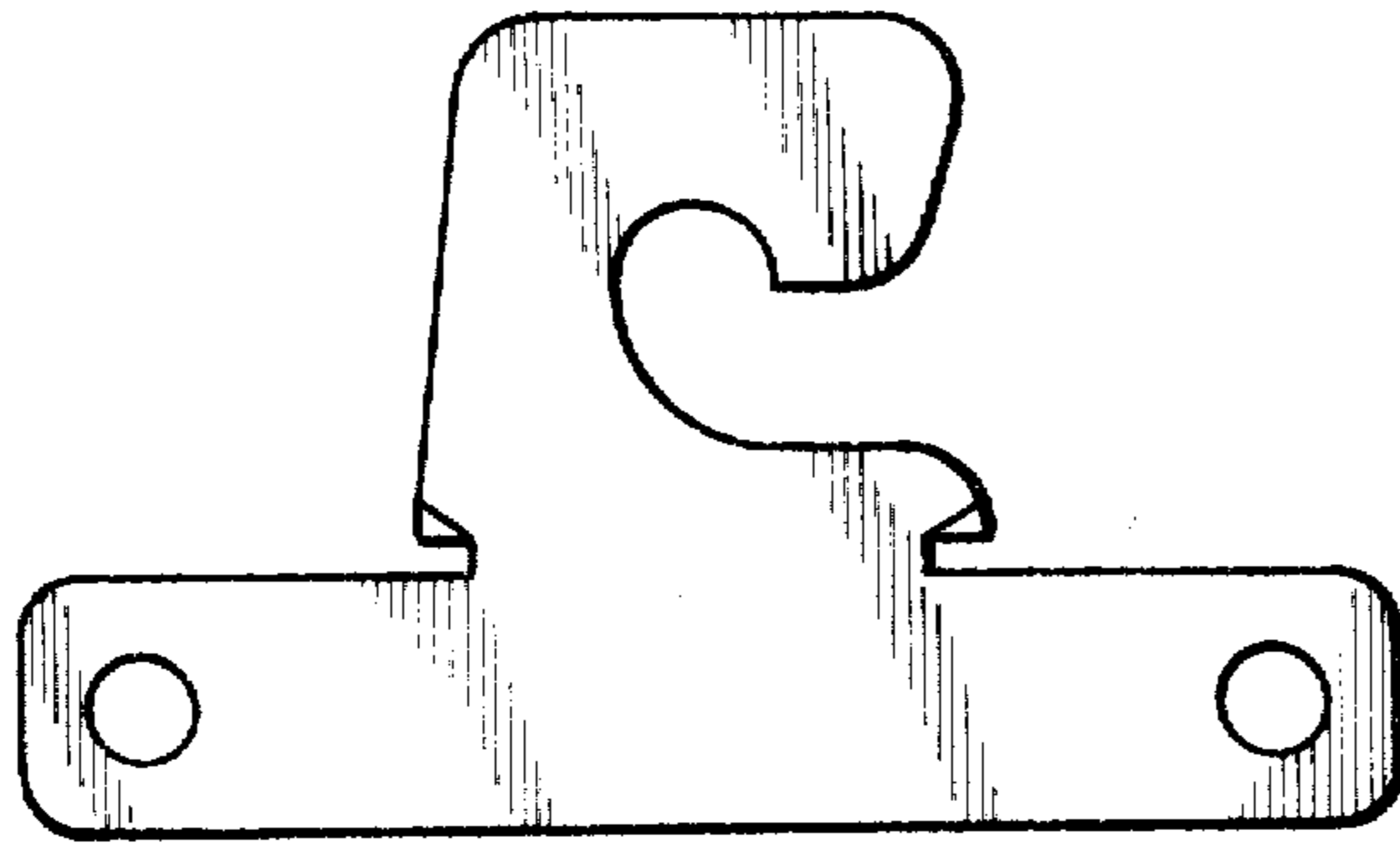


FIG \_ 2



FIG \_ 3

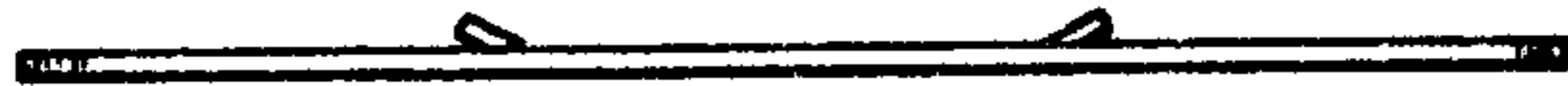


FIG \_ 4