

[54] DRINK CUP HOLDER FOR VEHICLES

[76] Inventor: Andrew J. Benedetti, 111 'F' St. S.W., Auburn, Wash. 98002

[\*\*] Term: 14 Years

[21] Appl. No.: 223,585

[22] Filed: Jan. 9, 1981

[51] Int. Cl. .... D03-99; D07-99

[52] U.S. Cl. .... D3/40; D7/38; D7/71

[58] Field of Search ..... D7/71, 38; D9/347; D3/40

[56] References Cited

U.S. PATENT DOCUMENTS

- D. 122,774 10/1940 Frederick ..... D7/38 X
- D. 168,480 12/1952 Shaeffer ..... D3/40
- D. 169,041 3/1953 Johnson ..... D7/71 X
- D. 214,334 6/1969 Kner ..... D7/38
- D. 231,594 5/1974 Demers ..... D7/71

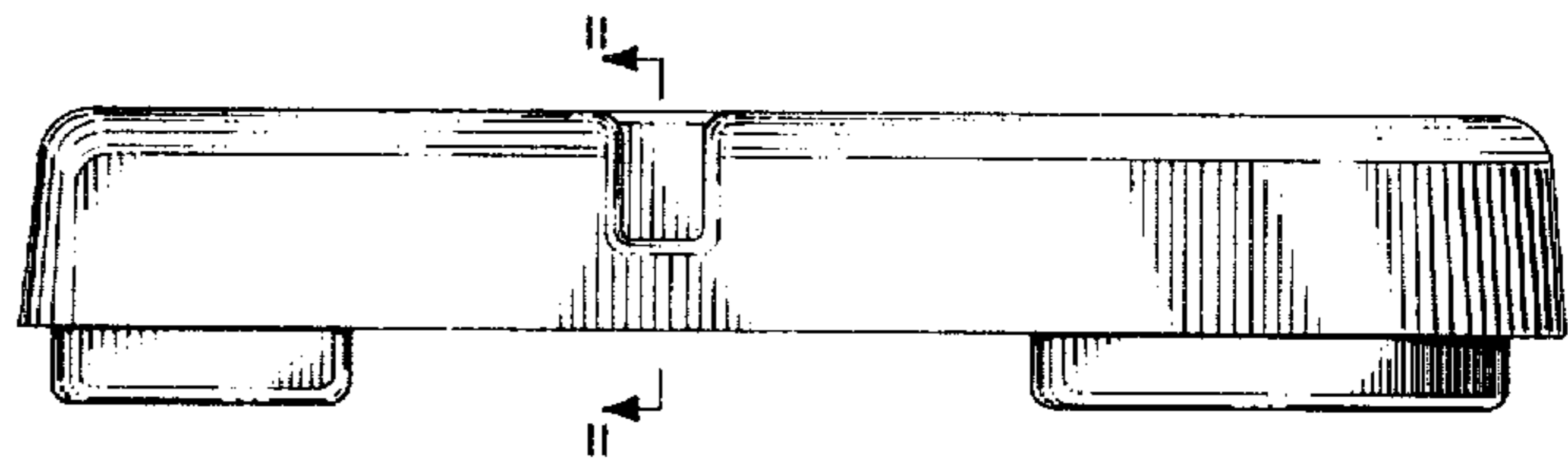
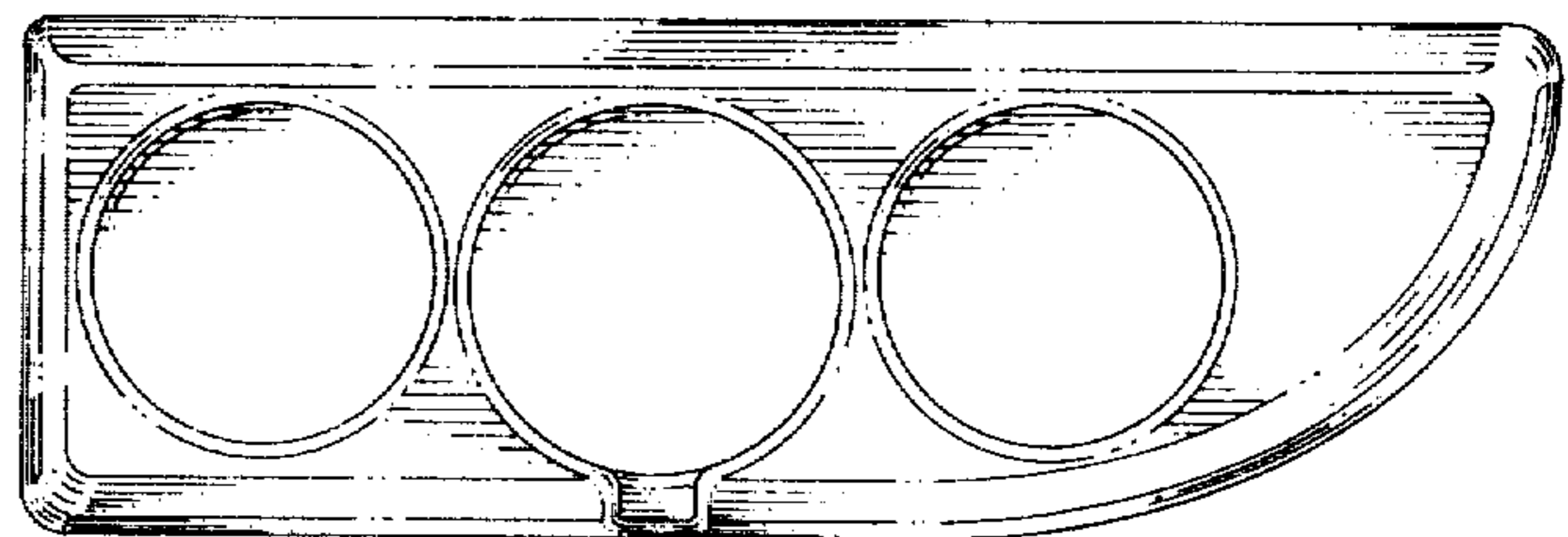
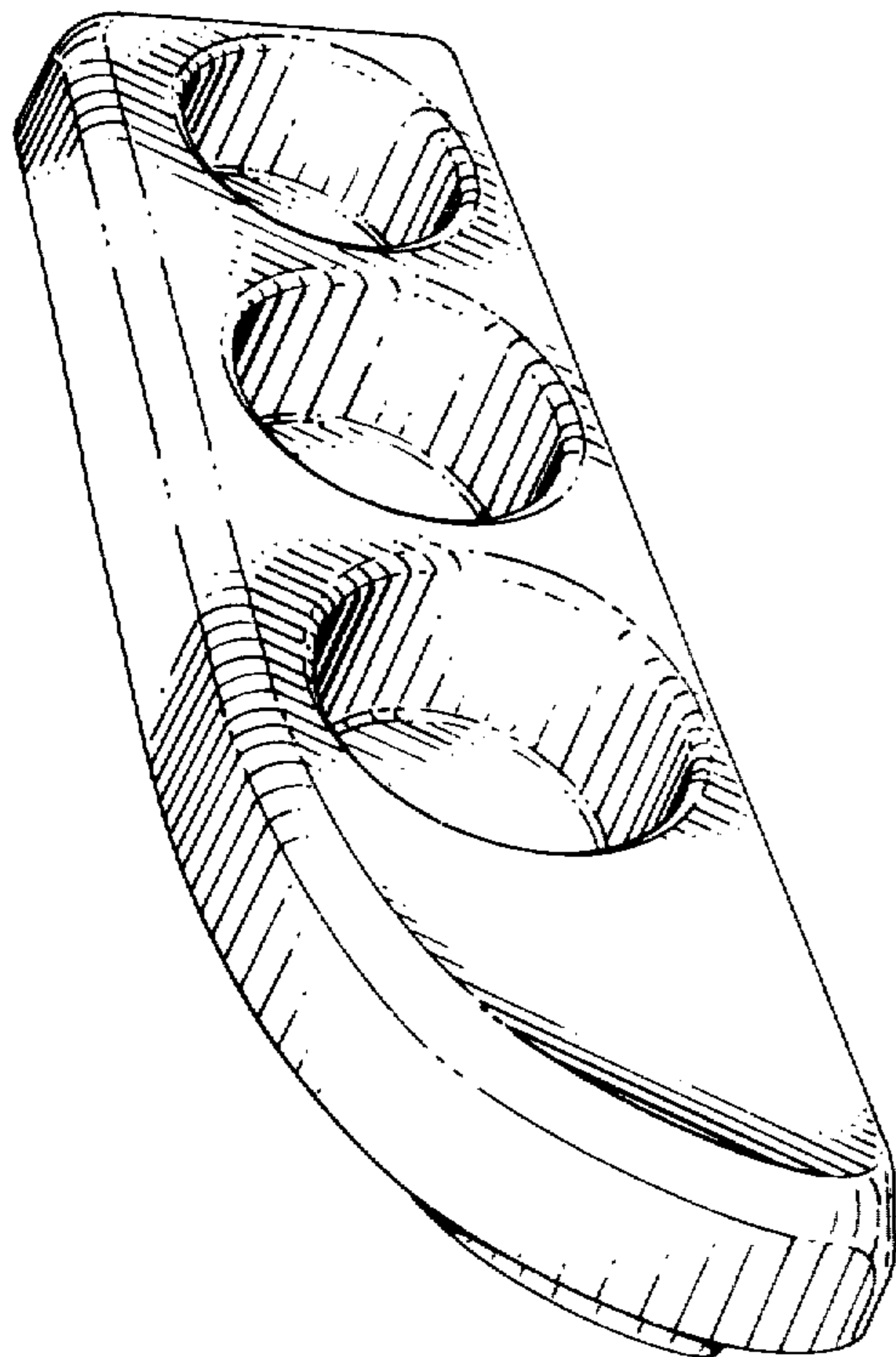
Primary Examiner—Winifred E. Herrmann  
Attorney, Agent, or Firm—David H. Deits

[57] CLAIM

The ornamental design for a drink cup holder for vehicles, as shown and described.

DESCRIPTION

FIG. 1 is a perspective view of a drink cup holder for vehicles showing my new design;  
 FIG. 2 is a top plan view thereof;  
 FIG. 3 is a sectional view thereof along the line 3—3 of FIG. 2, the internal structure of the article in which the design is illustrated which is visible only in this section view is not a part of the design;  
 FIG. 4 is a front elevational view thereof;  
 FIG. 5 is a bottom plan view thereof;  
 FIG. 6 is a rear elevational view thereof;  
 FIG. 7 is a left end elevational view thereof;  
 FIG. 8 is a right end elevational view thereof;  
 FIG. 9 is a top plan view of a second embodiment of my new design;  
 FIG. 10 is a front elevational view of the second embodiment; and  
 FIG. 11 is a sectional view of the second embodiment along the line 11—11 of FIG. 10, the internal structure of the article in which the design is illustrated which is visible only in this section view is not a part of the design.



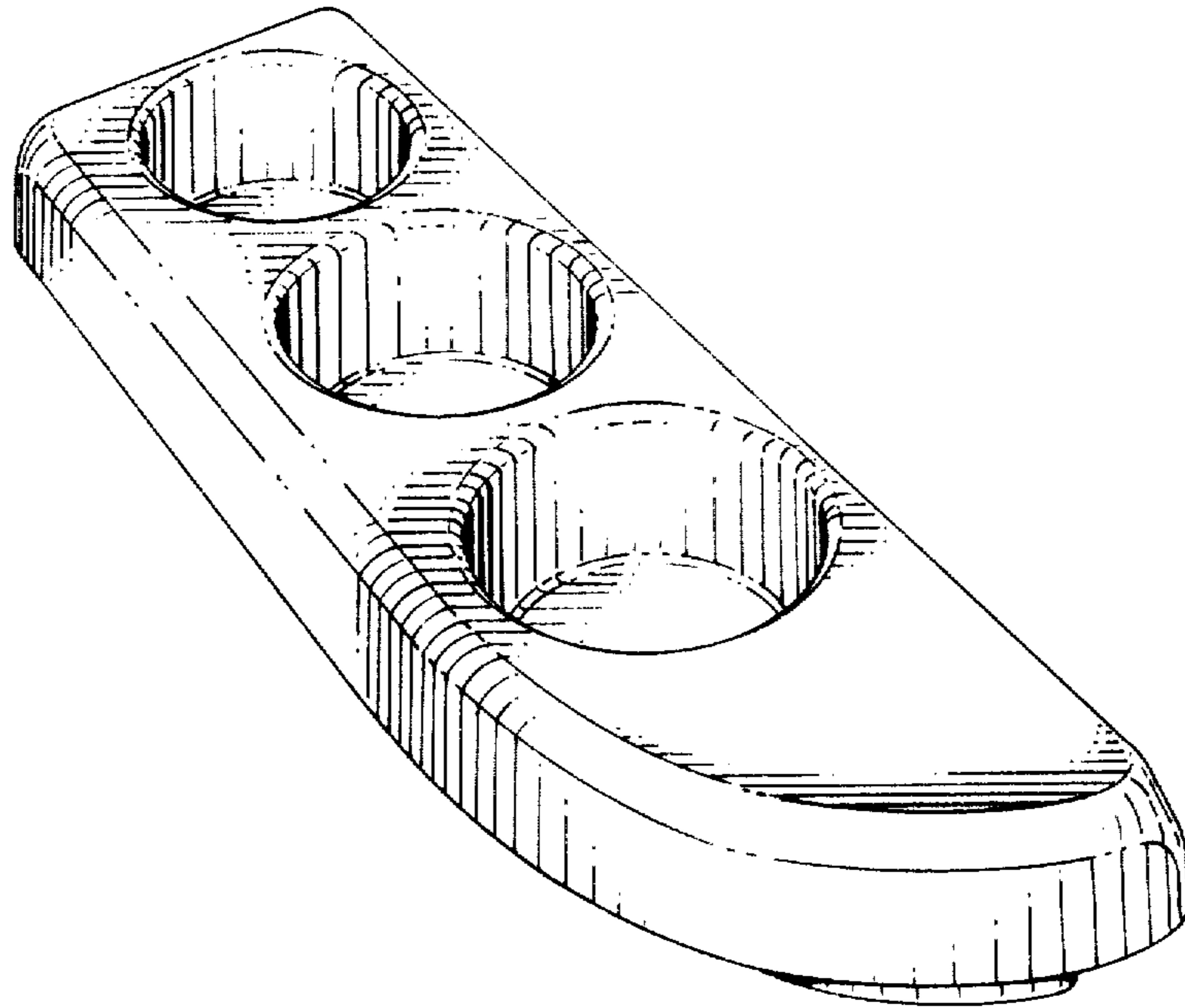


FIG. 1

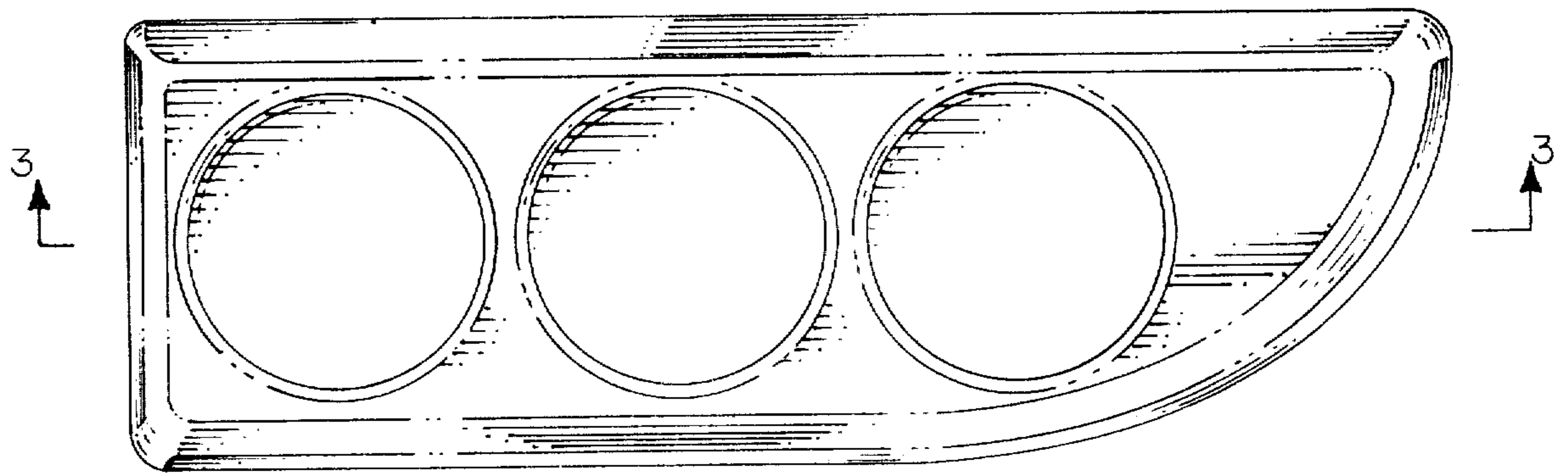


FIG. 2

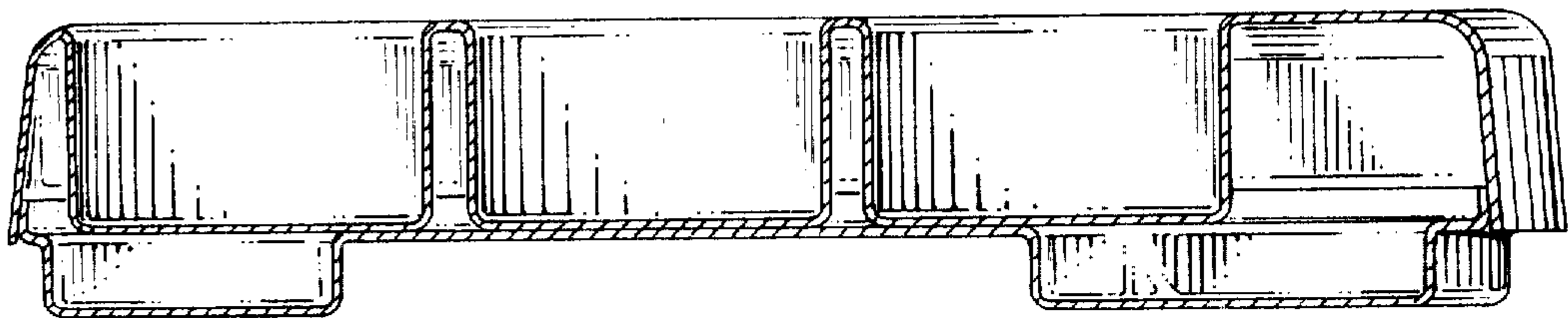


FIG. 3

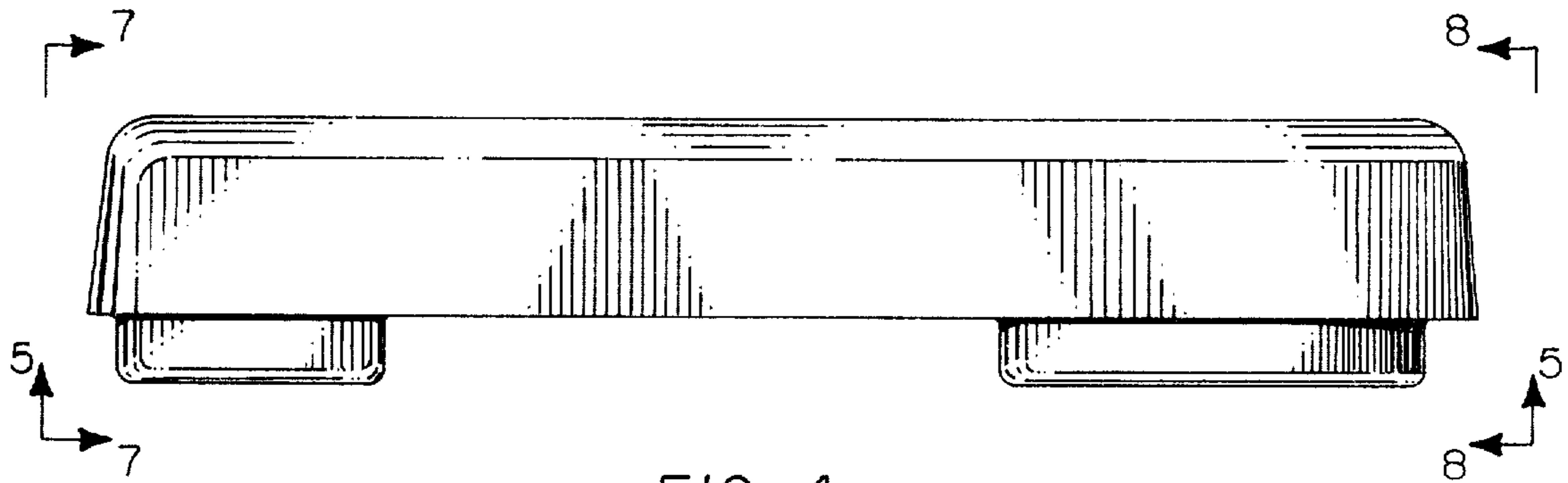


FIG. 4

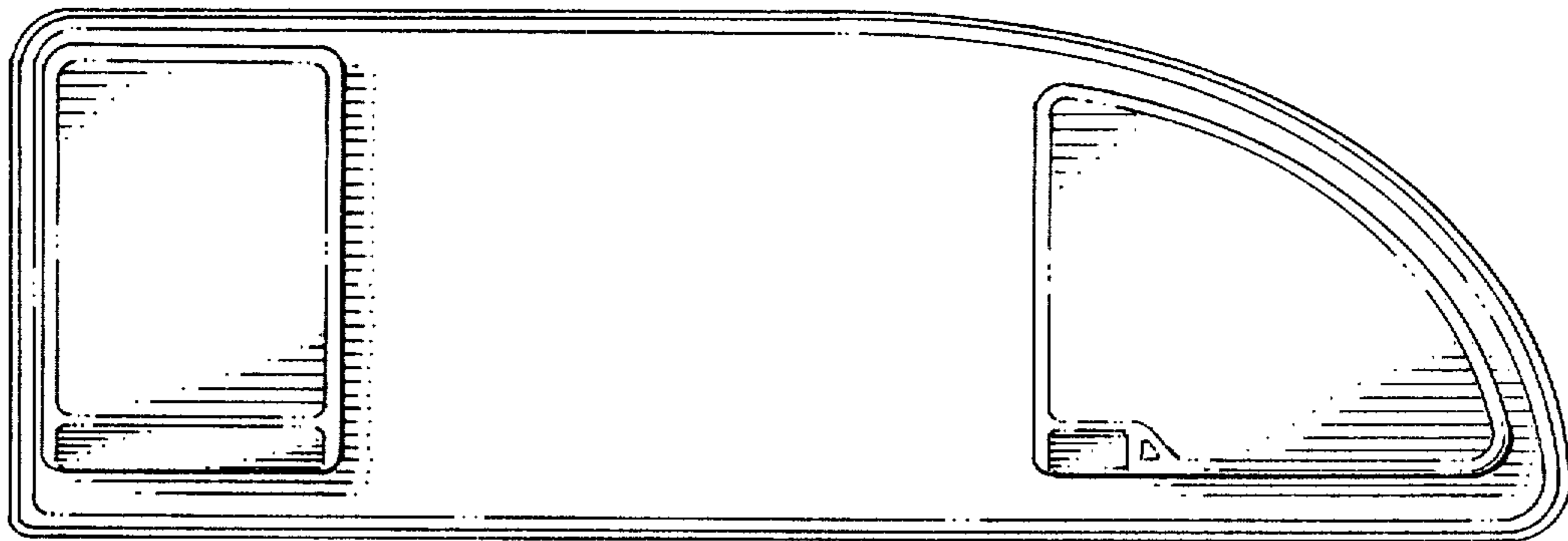


FIG. 5

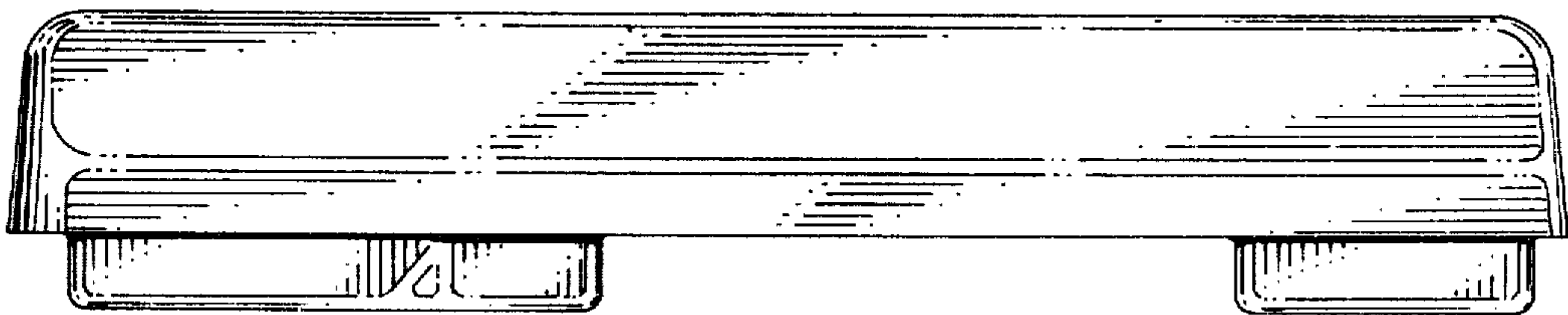


FIG. 6

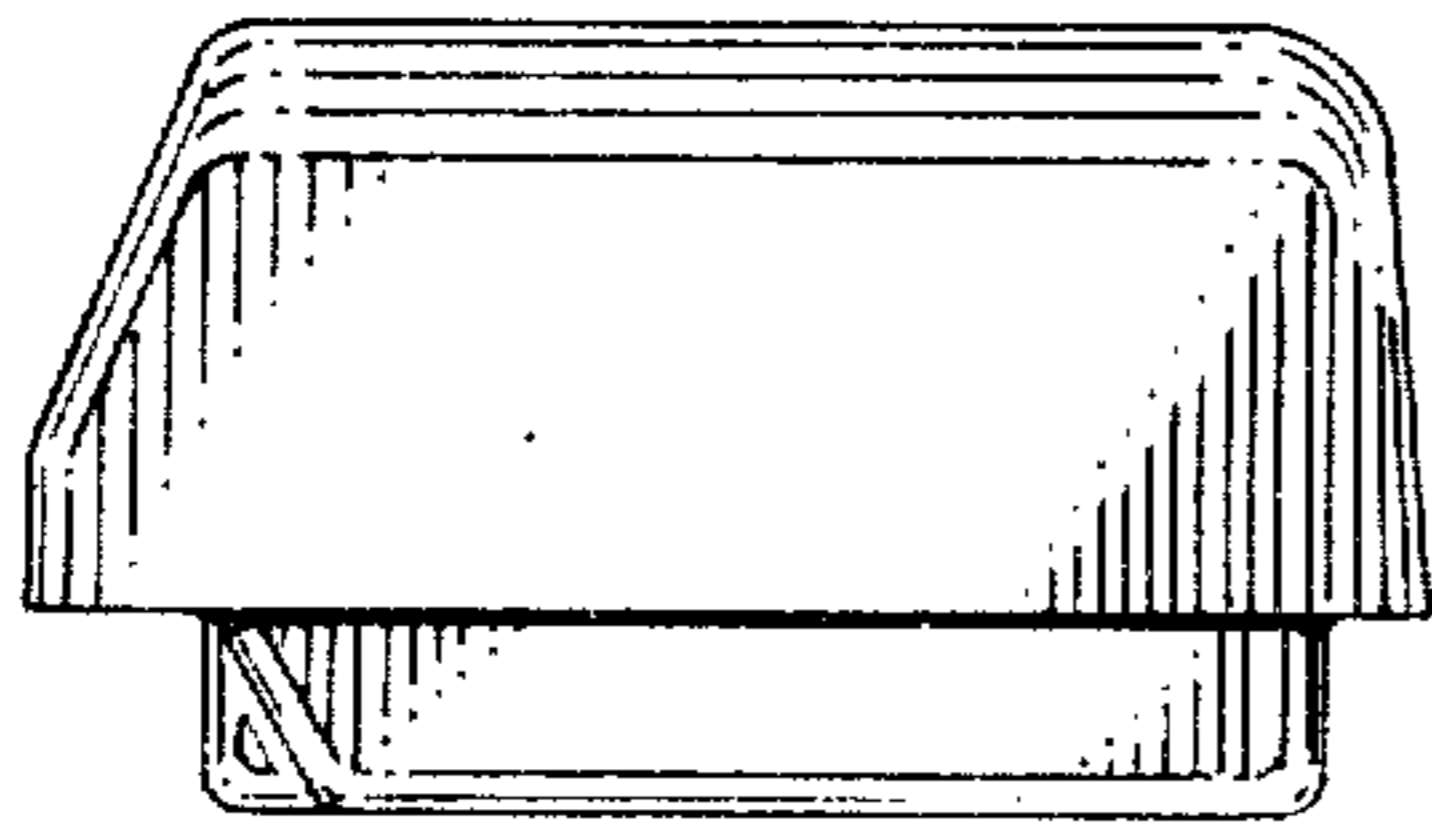


FIG. 7

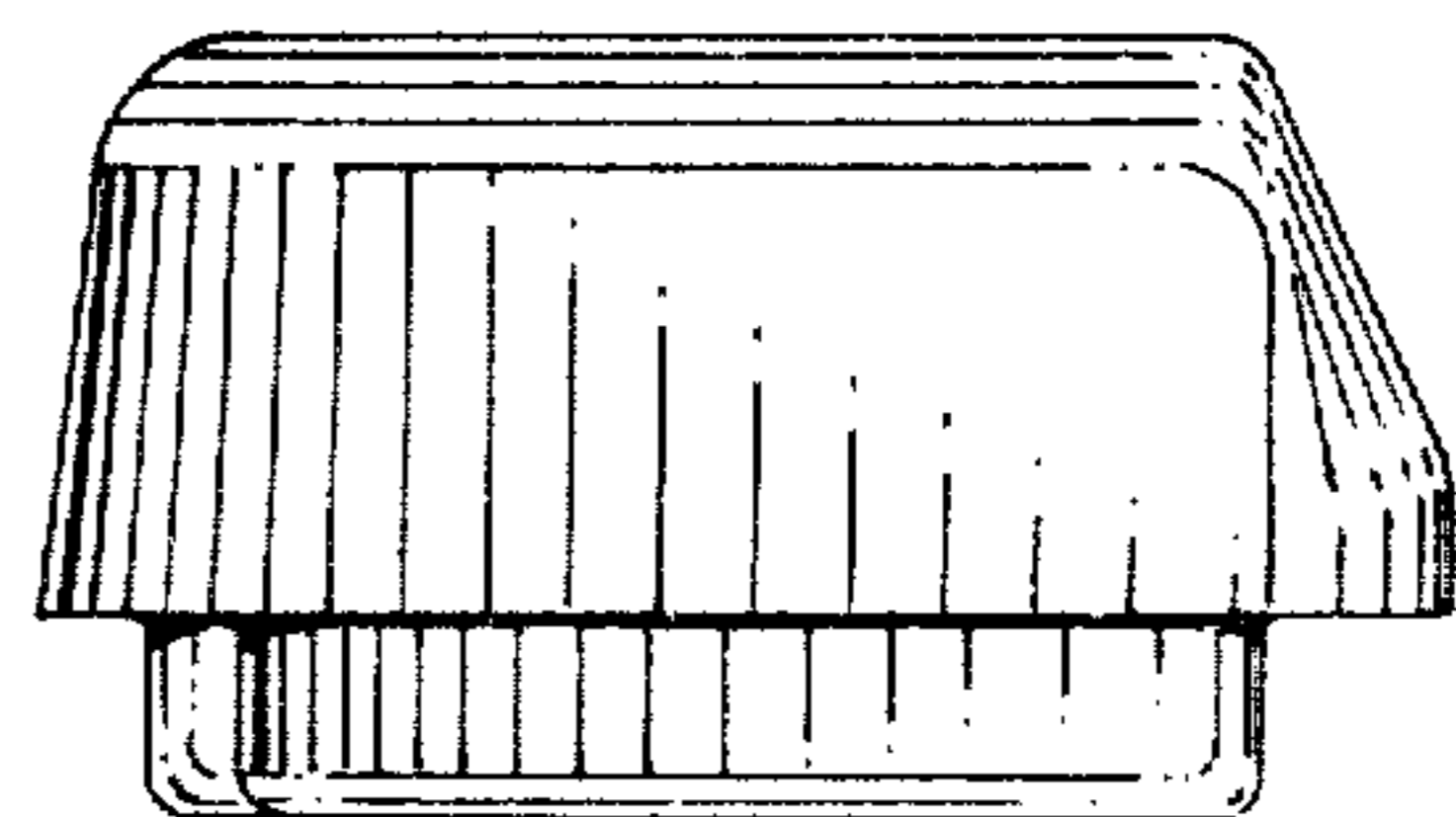


FIG. 8

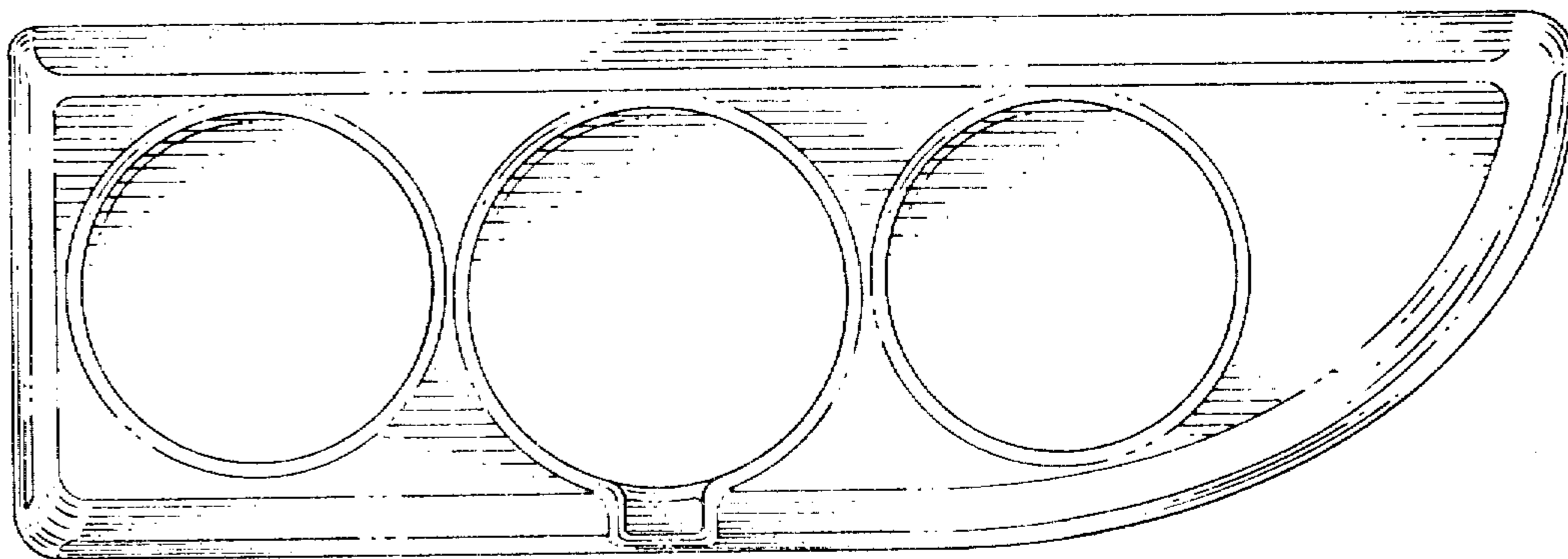


FIG. 9

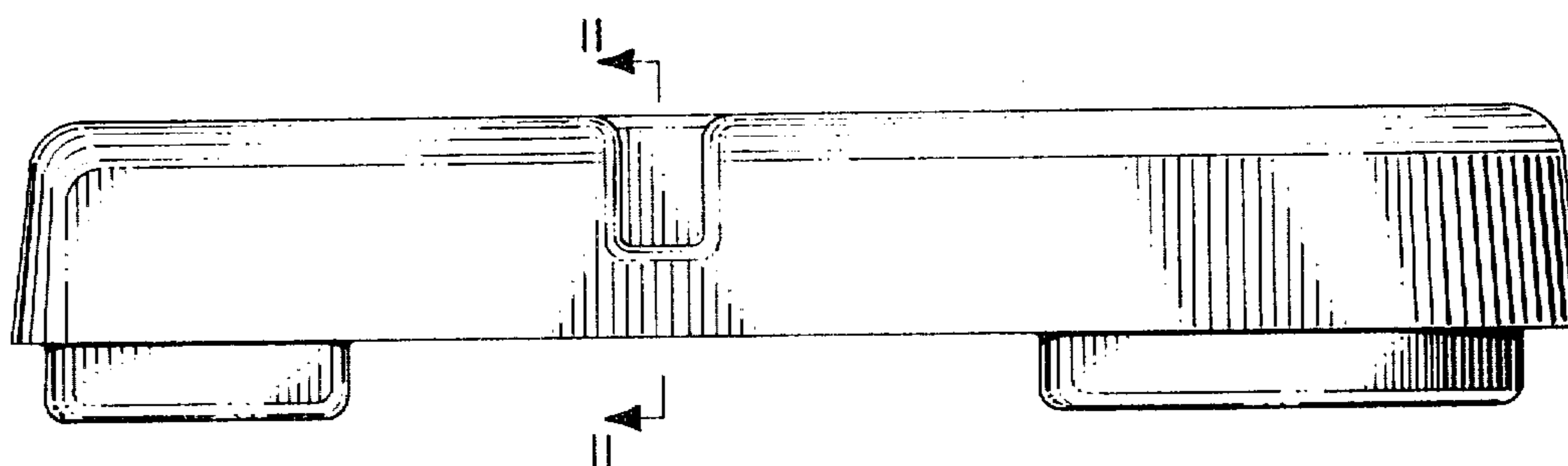


FIG. 10

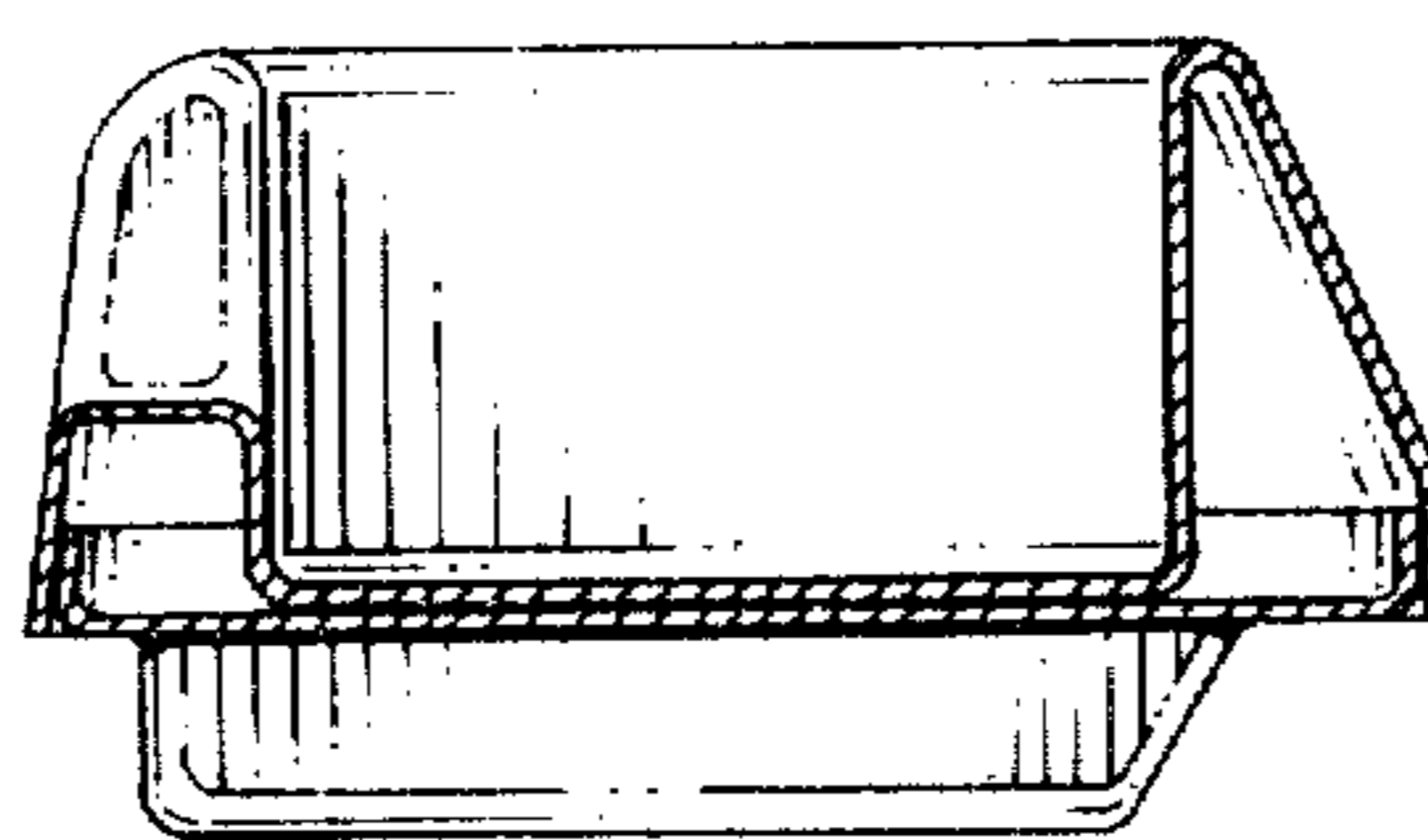


FIG. 11