

[54] **SAFETY MAIL BOX**

[76] **Inventor:** William E. Franklin, 429 W. 54th St.,
Los Angeles, Calif. 90037

[**] **Term:** 14 Years

[21] **Appl. No.:** 378,145

[22] **Filed:** May 14, 1982

[51] **Int. Cl.** D31-00

[52] **U.S. Cl.** D99/33

[58] **Field of Search** D99/28-33;
232/1 R, 45, 47, 50, 22, 48, 28, 51, 20

[56] **References Cited**

U.S. PATENT DOCUMENTS

D. 254,635	4/1980	Earle	D99/33
442,983	12/1890	Kinsey	232/48
3,189,265	6/1965	Franklin	232/22

FOREIGN PATENT DOCUMENTS

303665 1/1929 United Kingdom 232/22

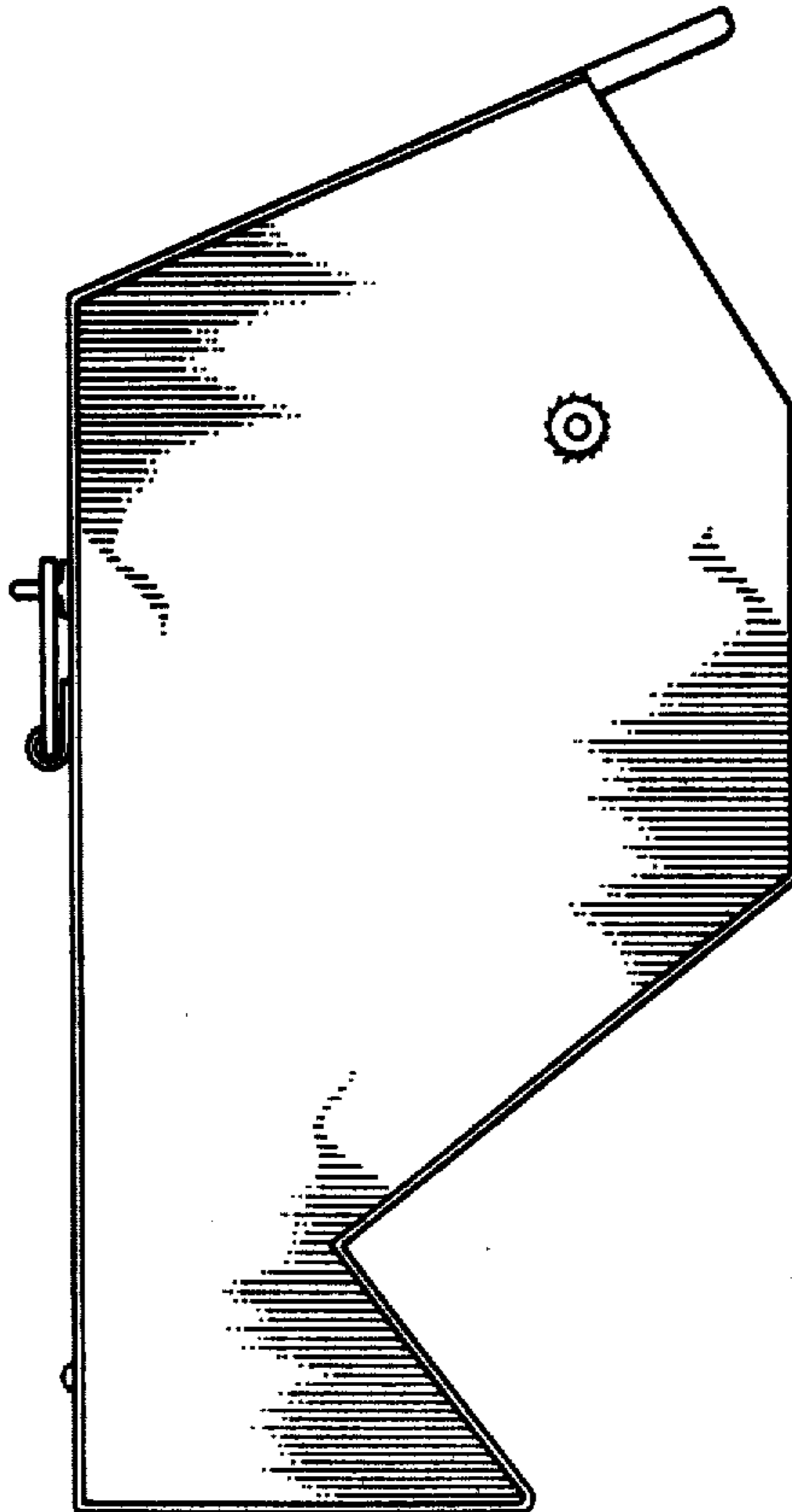
Primary Examiner—Charles A. Rademaker
Attorney, Agent, or Firm—Whann & McManigal

[57] **CLAIM**

The ornamental design for a safety mail box, as shown and described.

DESCRIPTION

FIG. 1 is a front elevational view of a safety mail box showing my new design;
FIG. 2 is a rear elevational view thereof;
FIG. 3 is a top plan view thereof;
FIG. 4 is a bottom plan thereof;
FIG. 5 is a side elevational view thereof, the side opposite being substantially a mirror image; and
FIG. 6 is a vertical sectional view taken substantially on line 6-6 of FIG. 1 to more clearly show the external appearance of the recessed door area at the top of the rear view as shown in FIG. 2.



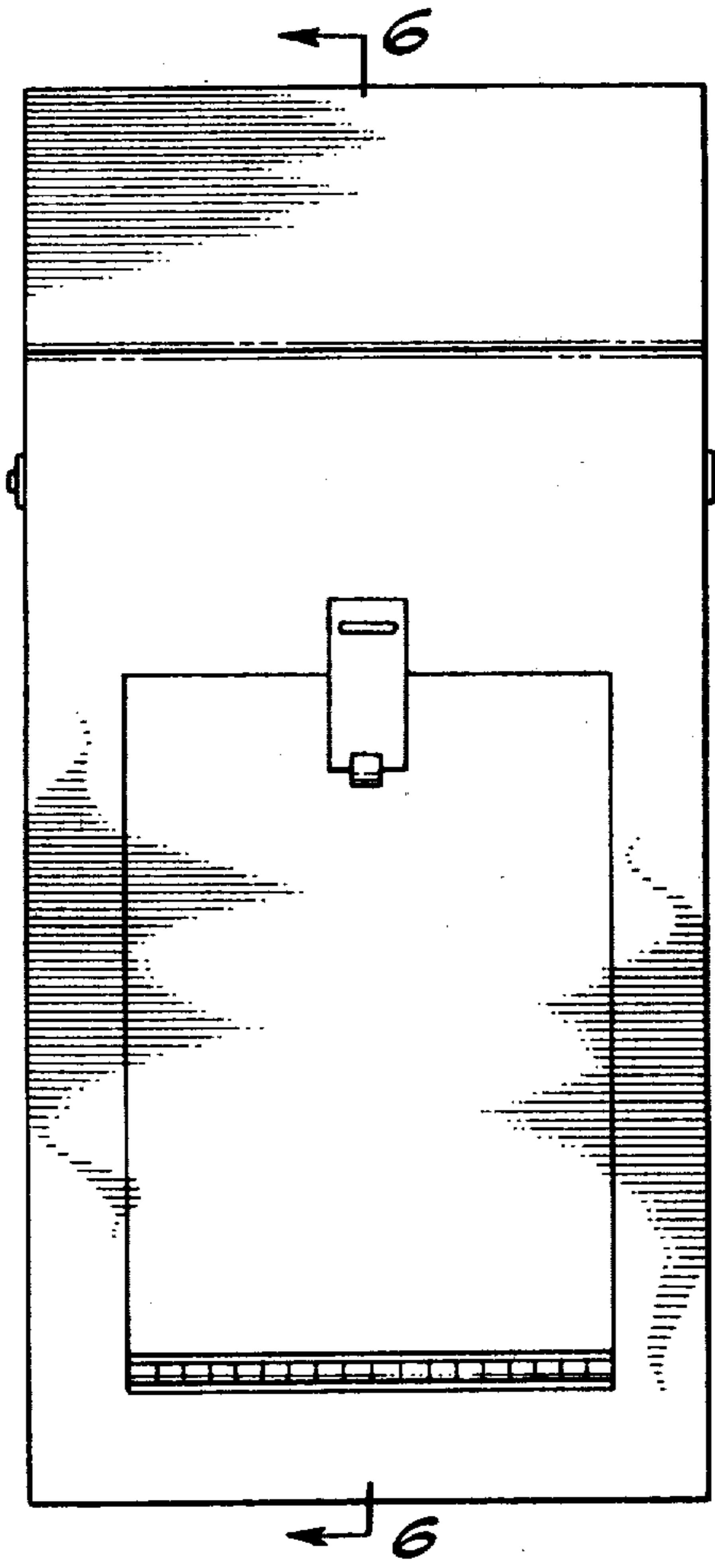


FIG. 1.

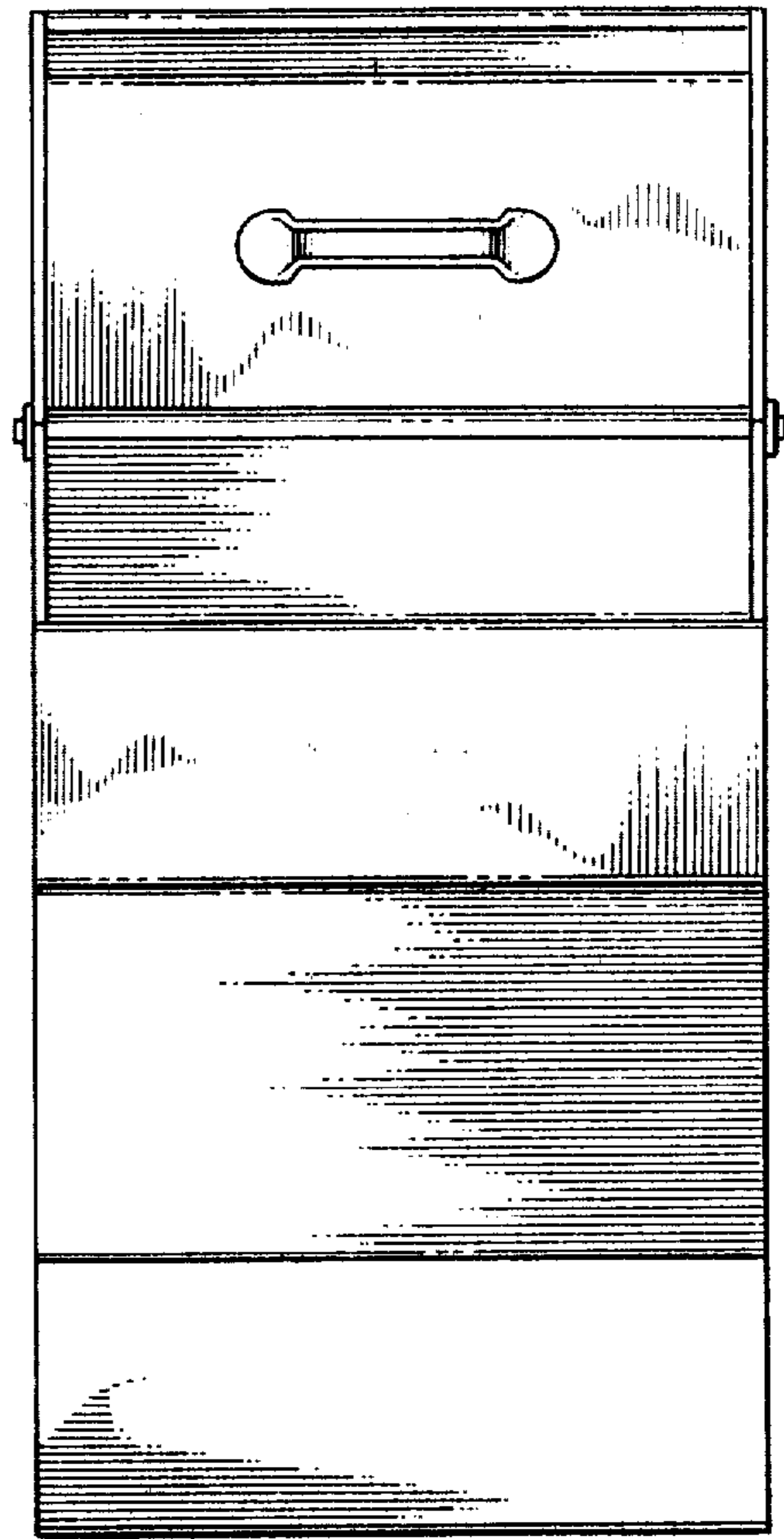


FIG. 2.

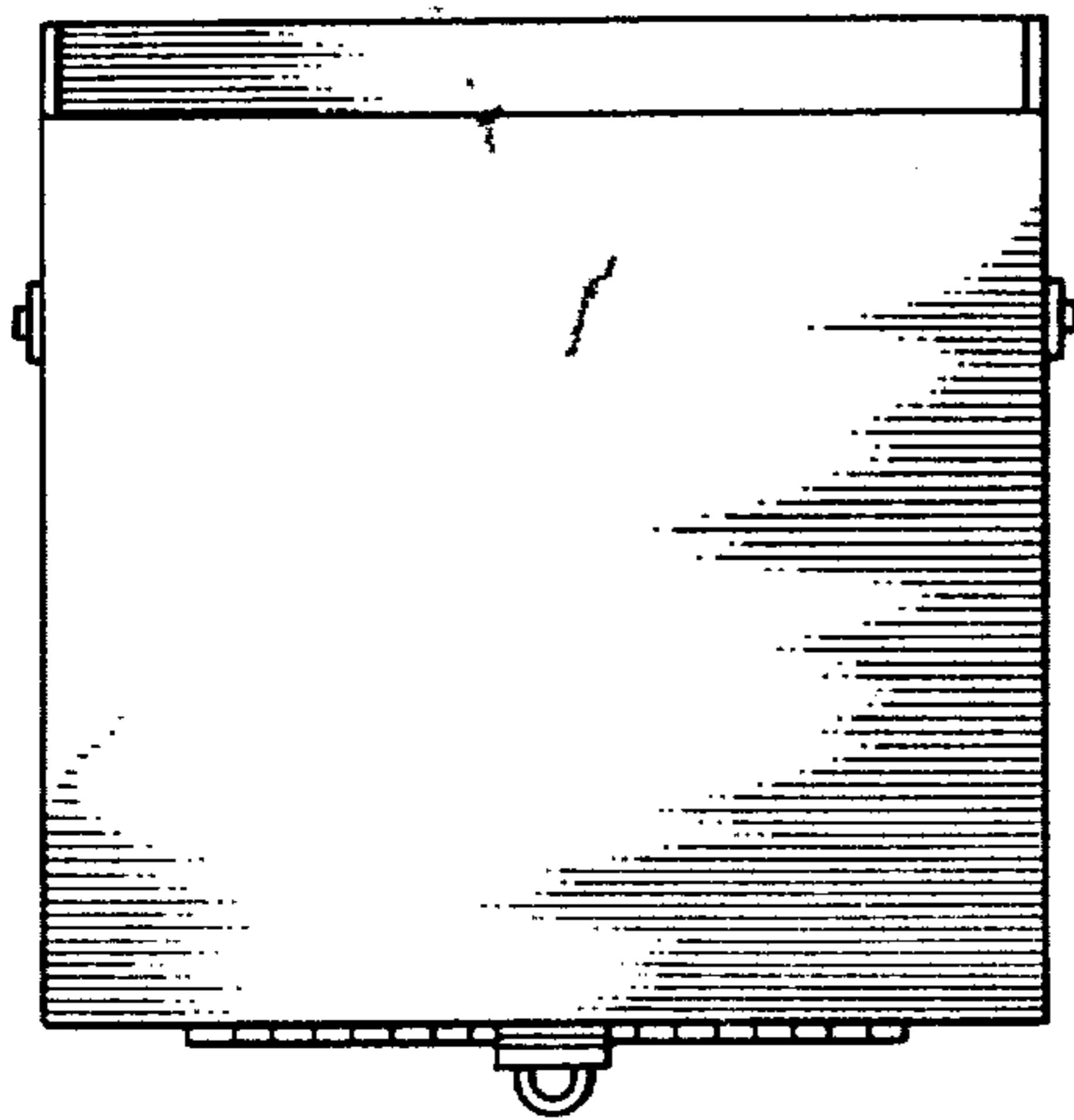


FIG. 3.

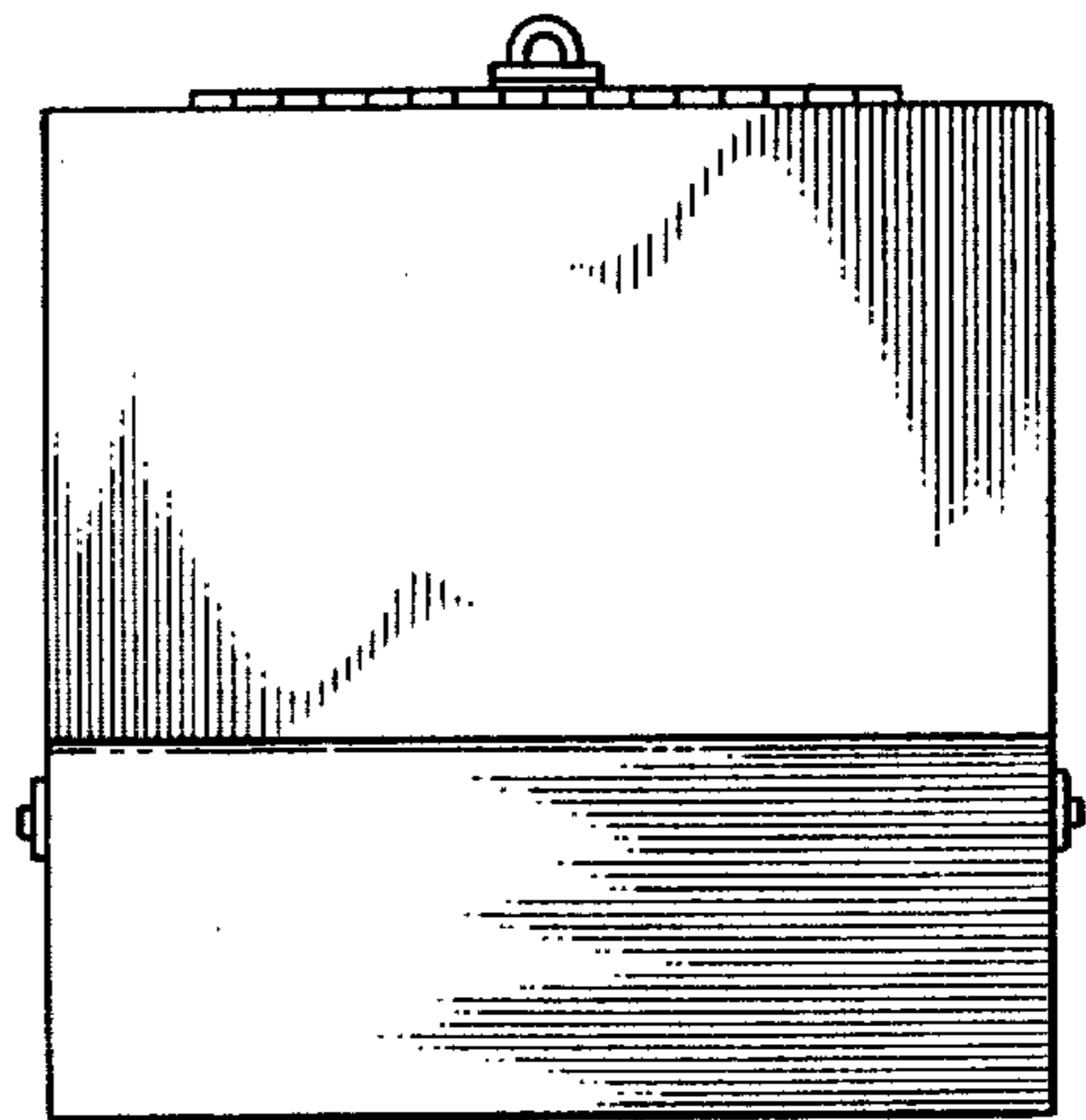


FIG. 4.

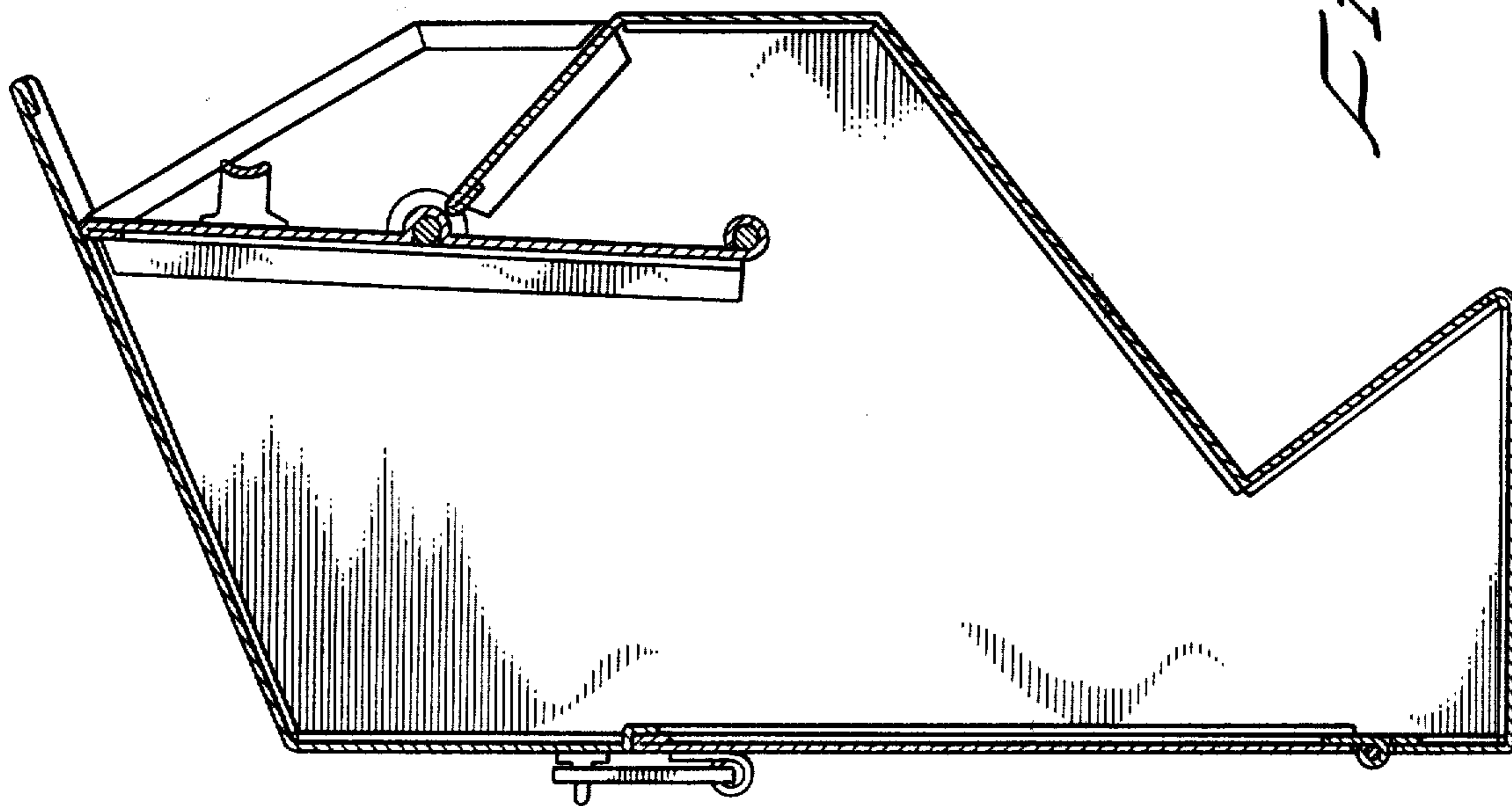


FIG. 6.

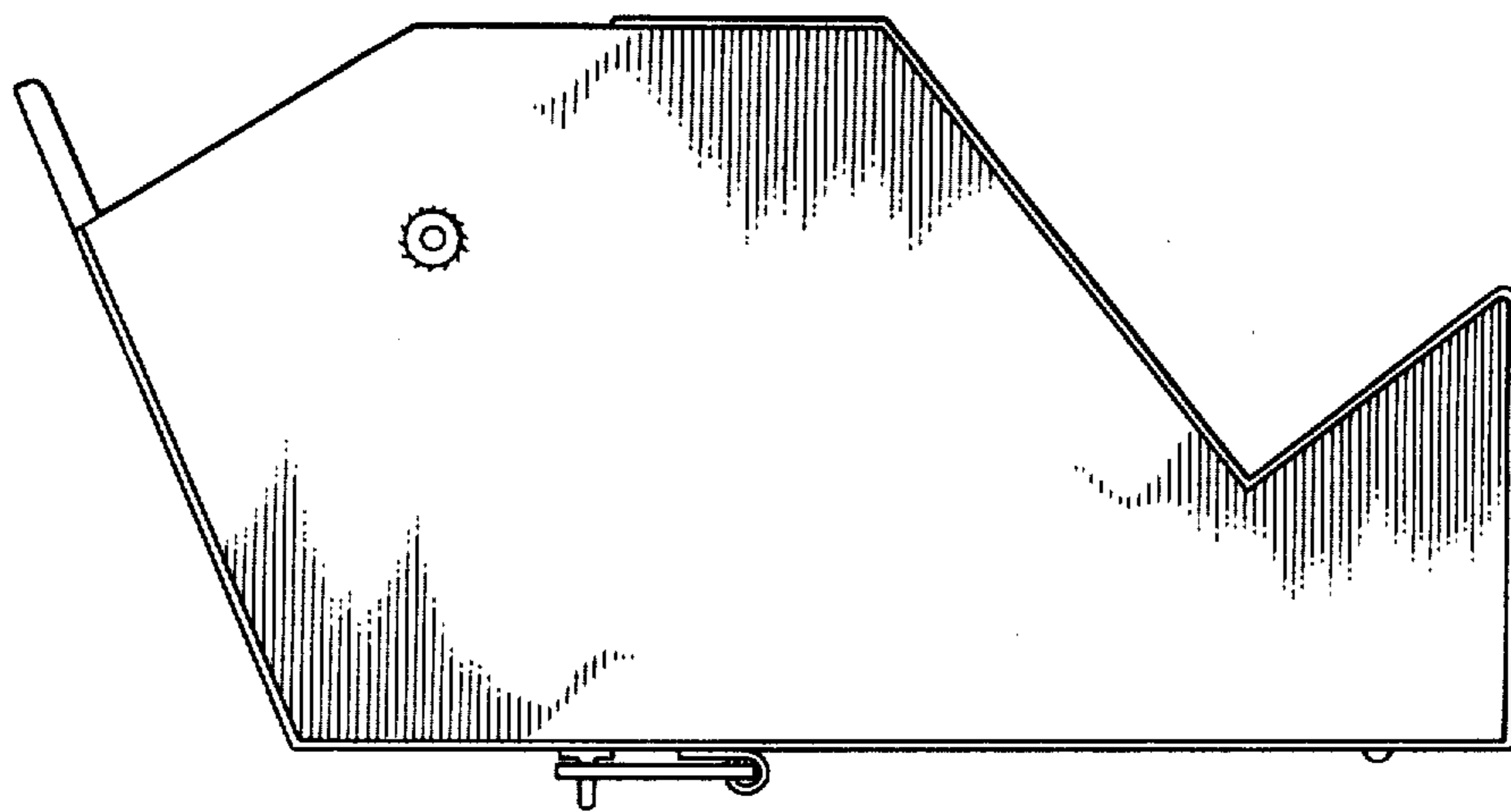


FIG. 5.