

[54] COMBINED MOBILE STORAGE CART AND RACK

3,531,136 9/1970 Mobley 280/47.19
3,869,137 3/1975 Byrom 280/47.19

[76] Inventor: Bruce G. Balling, 10909 Walnutwood Way, Rancho Cordova, Calif. 95670

Primary Examiner—James M. Gandy
Attorney, Agent, or Firm—Lothrop & West

[**] Term: 14 Years

[57] CLAIM

[21] Appl. No.: 272,299

The ornamental design for a combined mobile storage cart and rack, as shown and described.

[22] Filed: Jun. 10, 1981

DESCRIPTION

[51] Int. Cl. D12-02

[52] U.S. Cl. D34/24; D34/15

[58] Field of Search D34/24, 15, 20; 280/652, 47.19, 47.26, DIG. 6; 211/60 R, 60 G

FIG. 1 is a perspective view of a combined mobile storage cart and rack, showing my new design;
FIG. 2 is an elevational view with the two halves shown in open position and with the ball storage well removed;
FIG. 3 is an elevational view of one side, the opposite side being substantially a mirror image thereof;
FIG. 4 is a rear elevational view;
FIG. 5 is a front elevational view;
FIG. 6 is a top plan view; and,
FIG. 7 is a bottom plan view.

[56] References Cited

U.S. PATENT DOCUMENTS

D. 89,857 5/1933 Garton D34/20
2,024,484 12/1935 Smith 211/60 G
2,806,711 9/1957 Jacobs 280/47.19

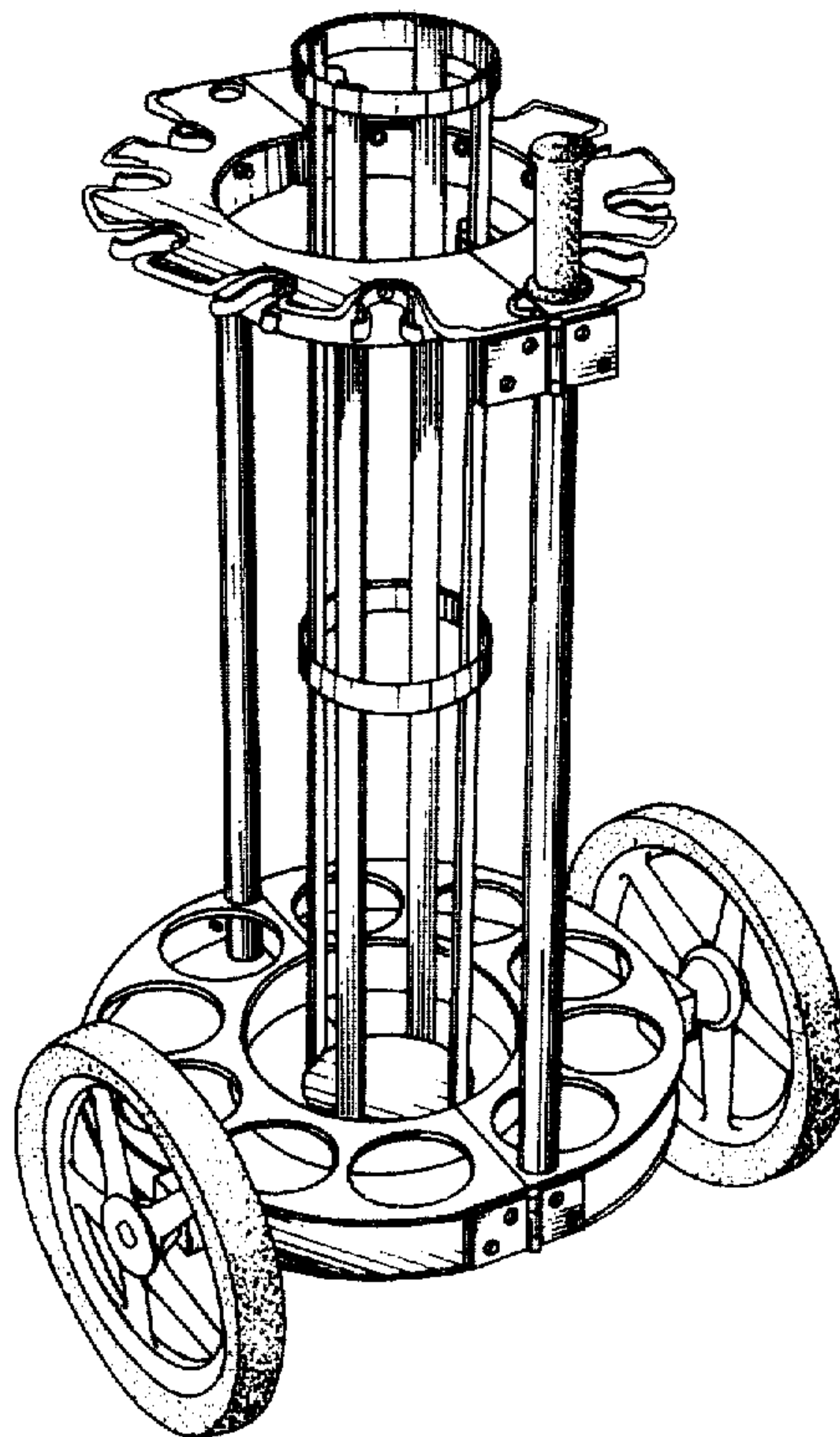


FIG-1

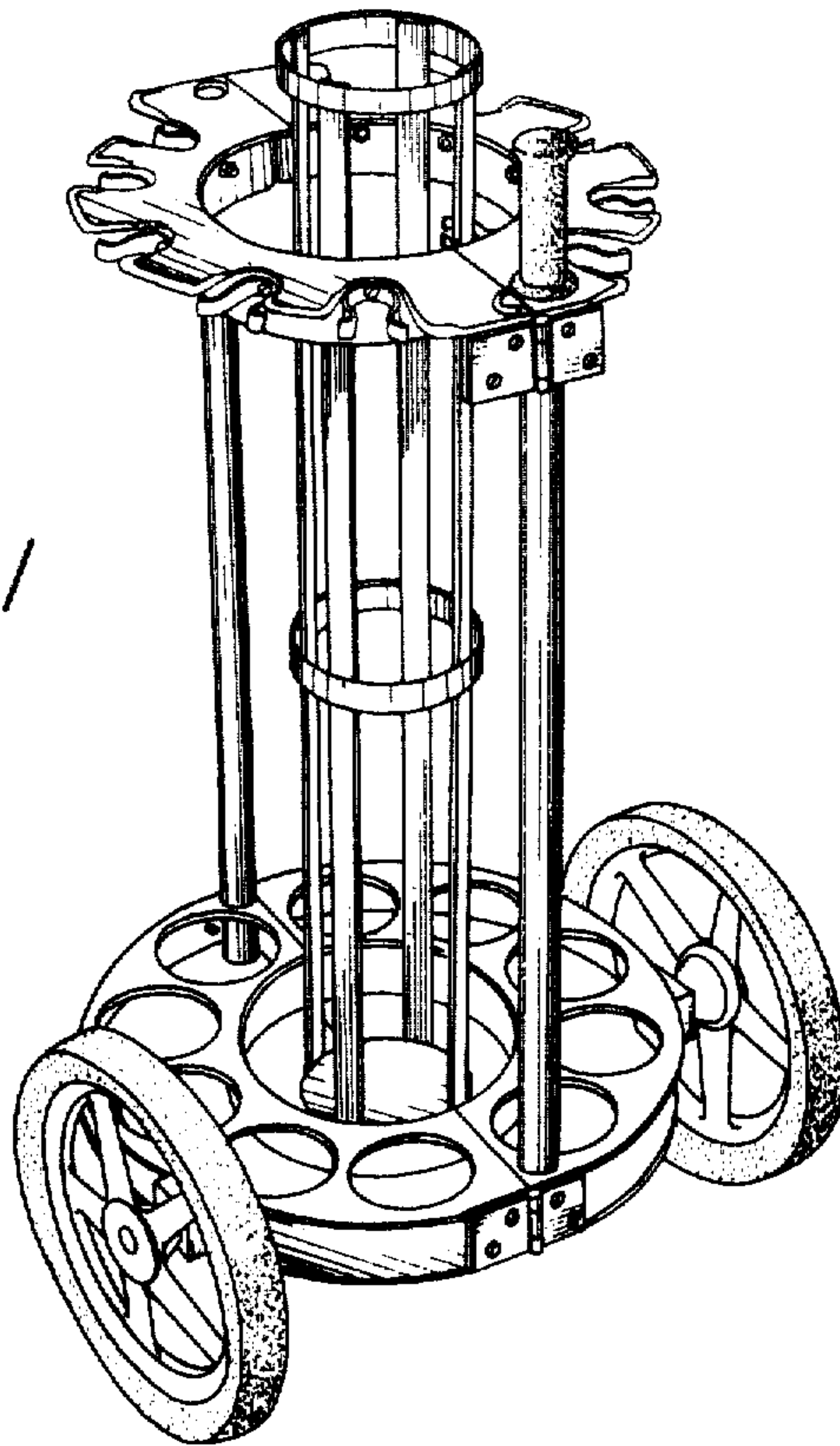
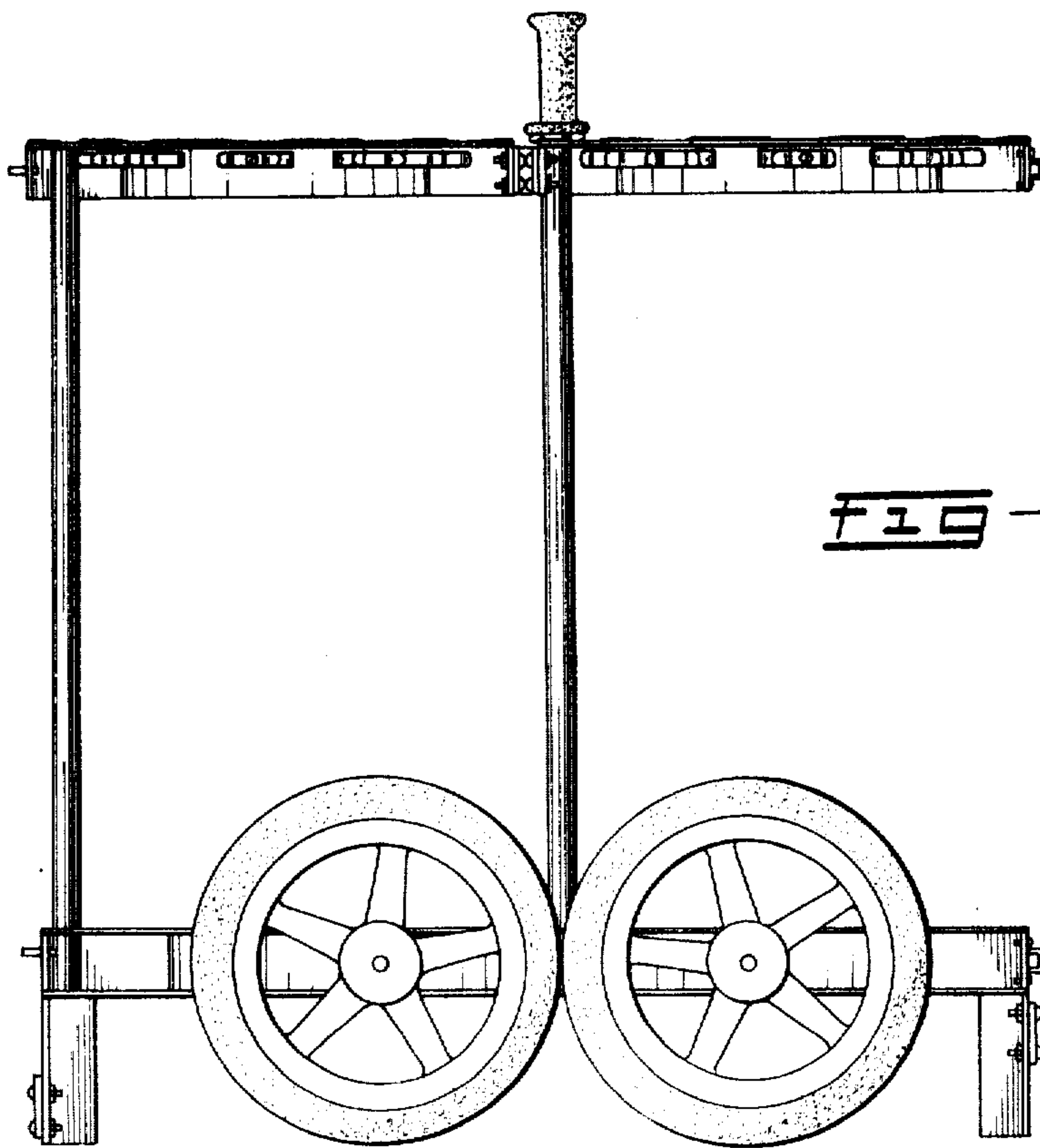


FIG-2



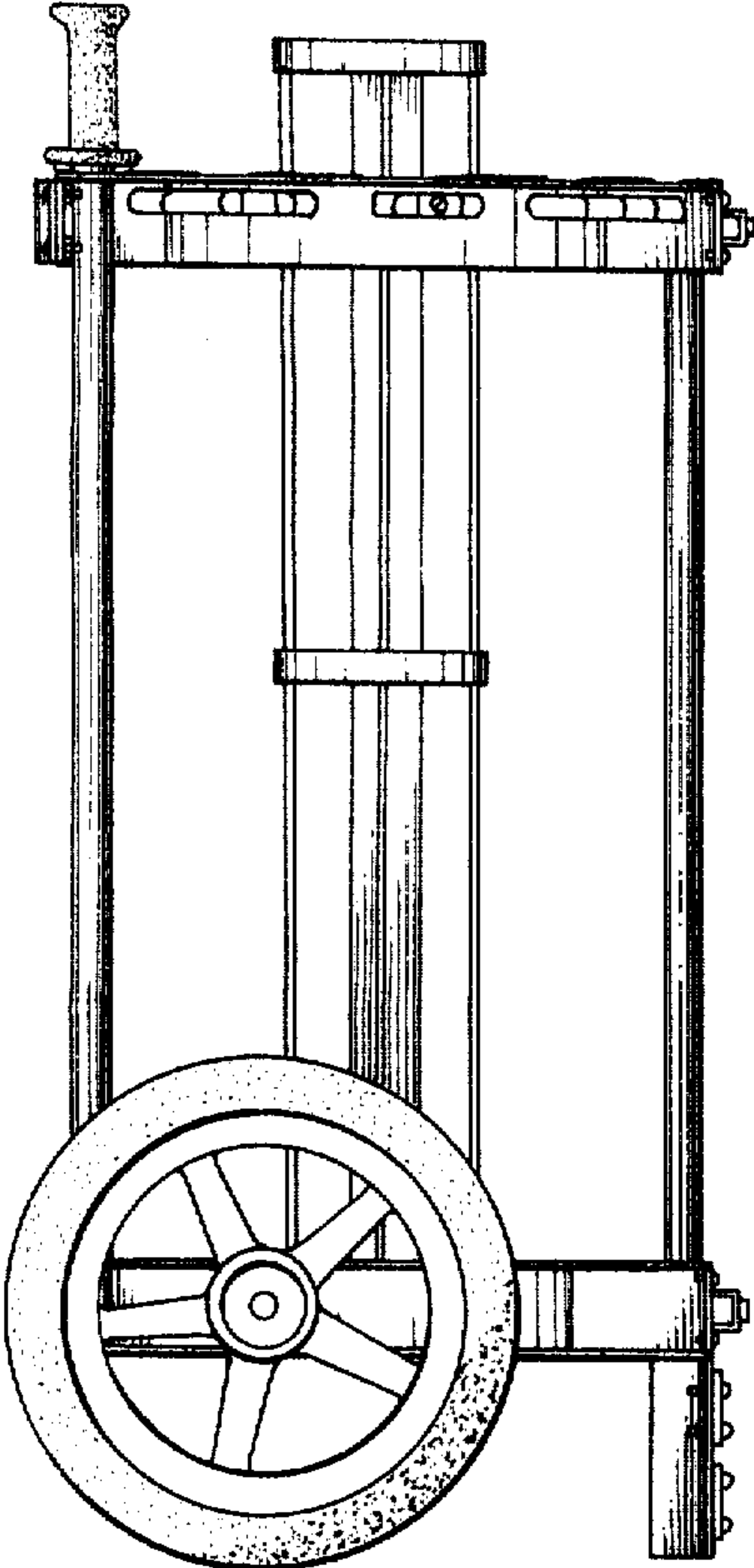


FIG-3

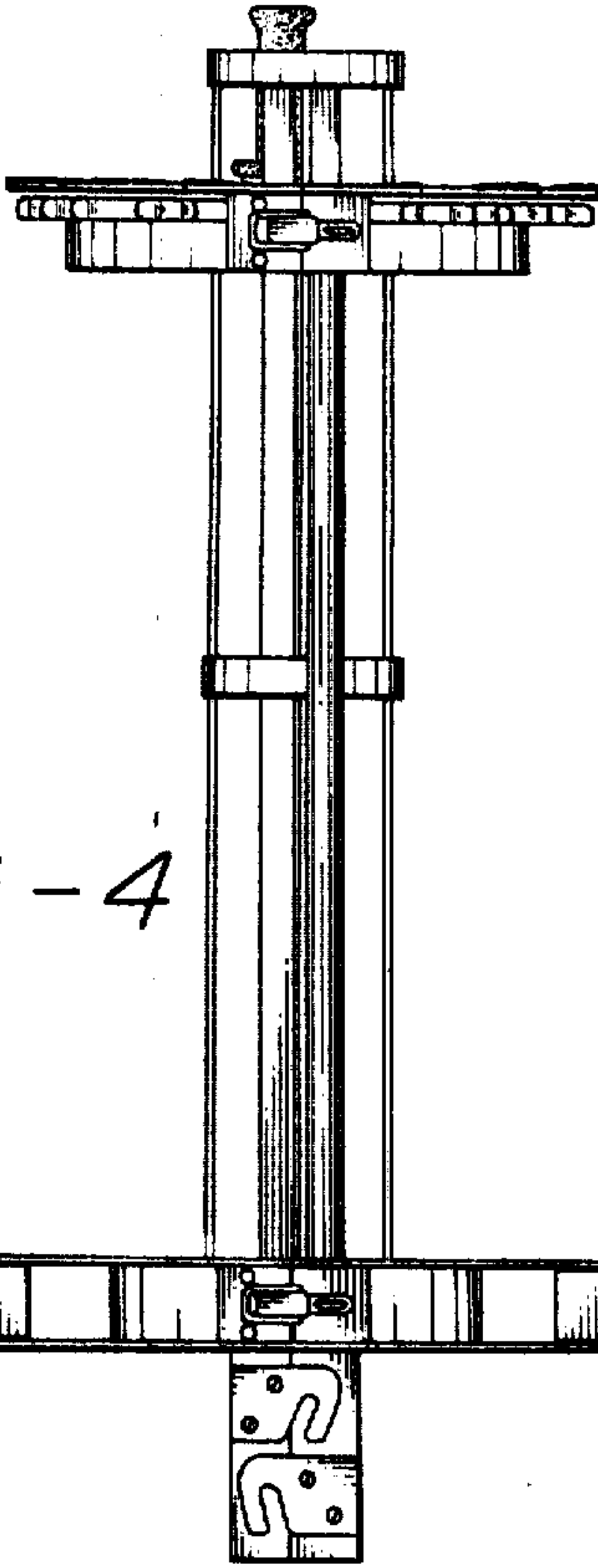


FIG-4

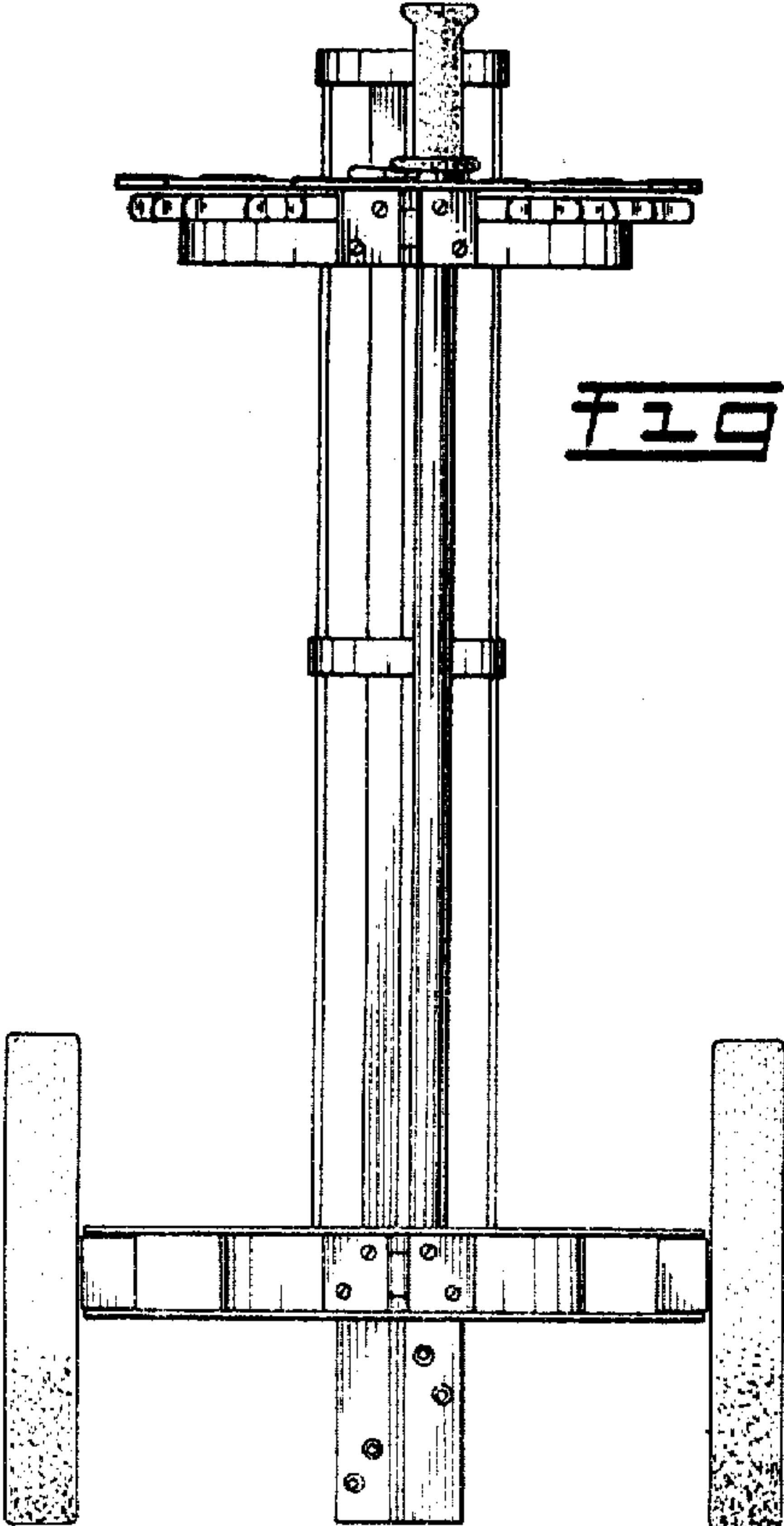


FIG-5

FIG-6

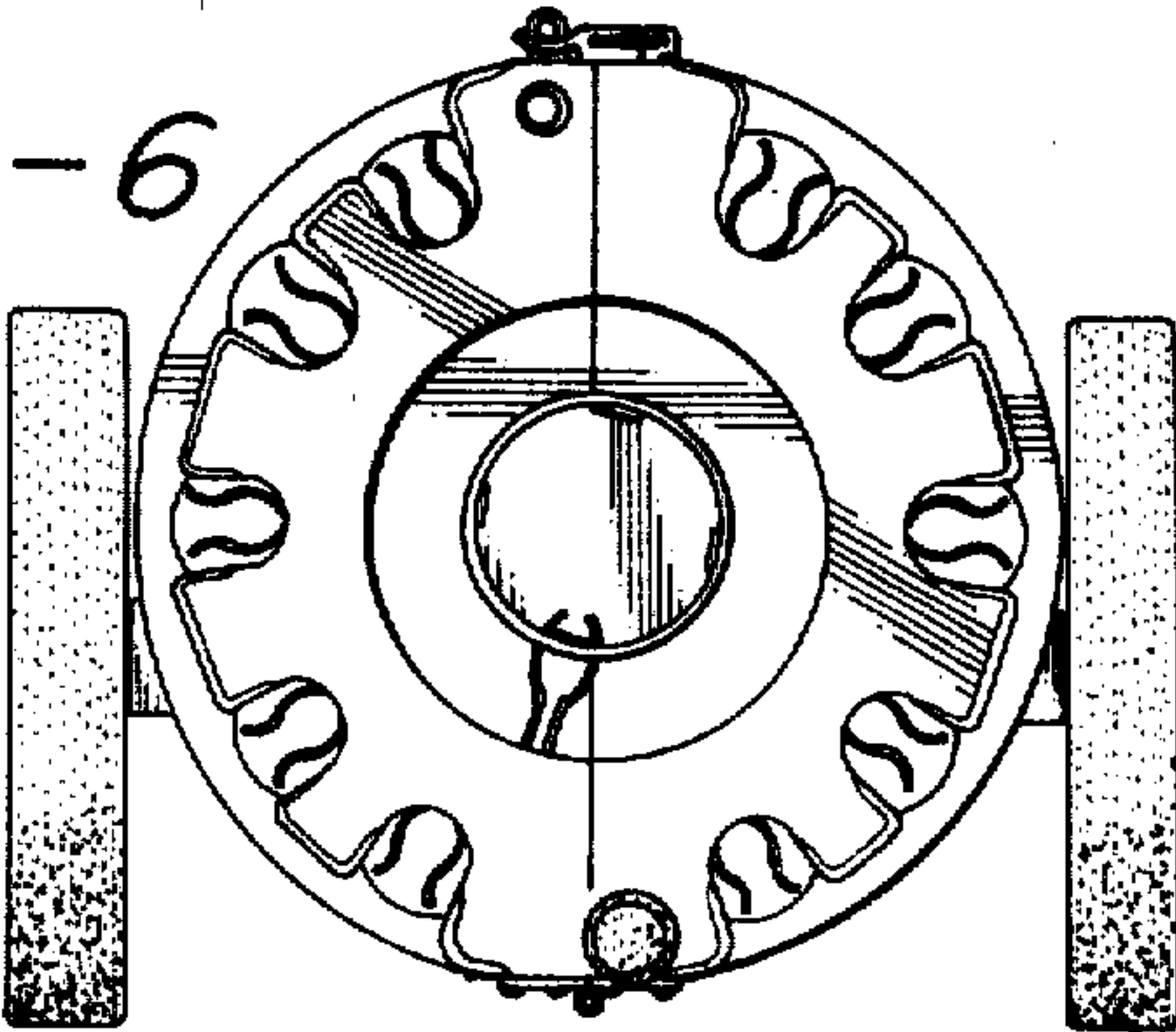


FIG-7

